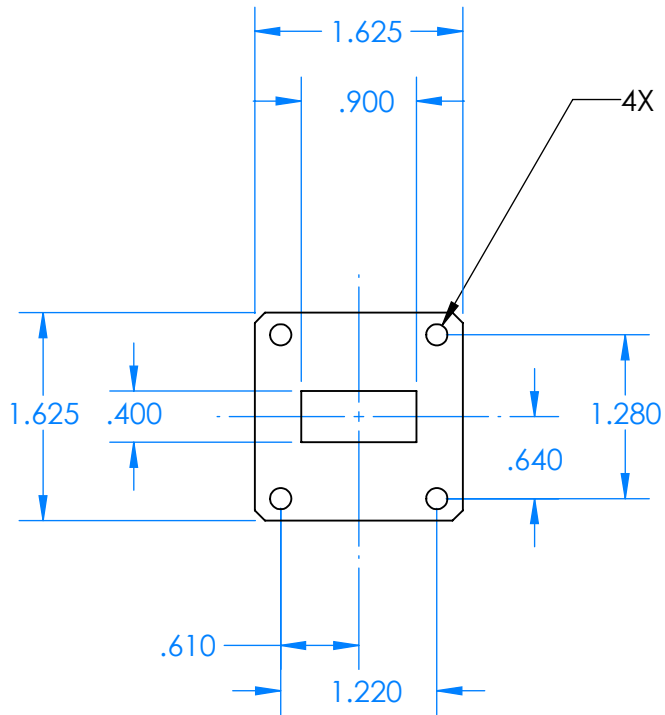
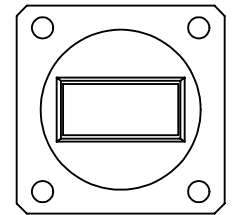
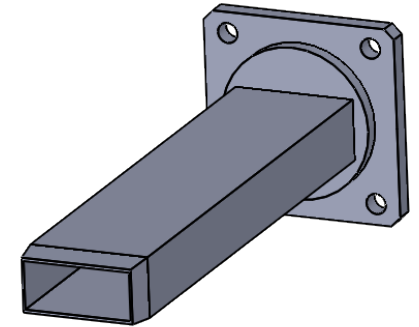
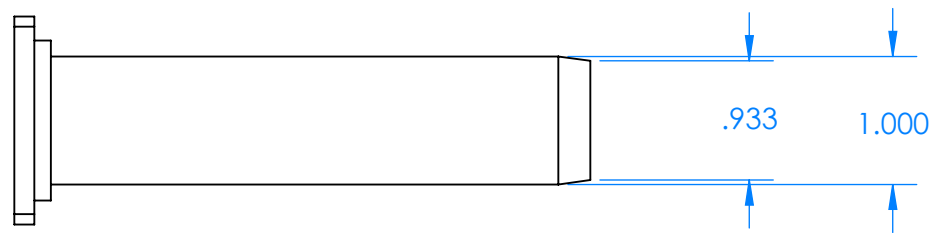
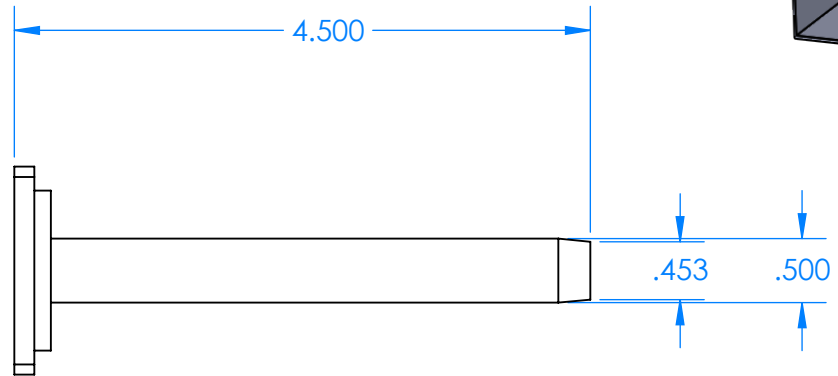


REVISIONS			
REV	DESCRIPTION	DATE	APPROVED
-	-	-	-



4X Ø.166 THRU



DECIMALS: XXXX ±.0005 XXX ±.005 XX ±.01	DRAWN CC 7-13-21	NAME CC	DATE 7-13-21	TITLE: Mi-Wave Millimeter Products Inc.		
ANGLES: ±.5 DEGREE	CHECKED MS 7-13-21	ENG LS 7-13-21		SIZE A	DWG. NO.	REV -
THIRD ANGLE PROJECTION	MATL: 6061 T6 ALUMINUM		SCALE: 2:3		WR-90 PROBE OUTLINE	SHEET 1 OF 1
				WEIGHT:		