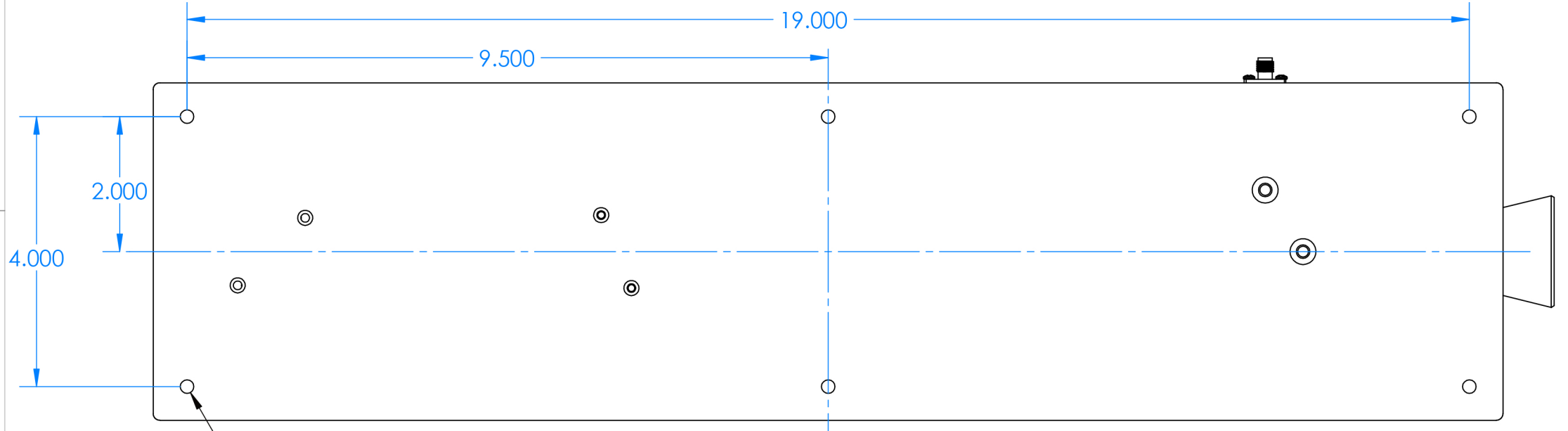
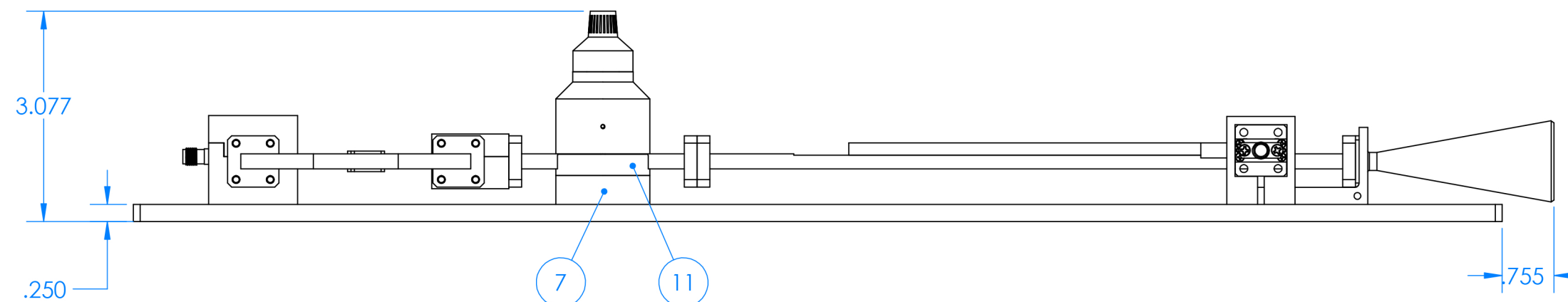
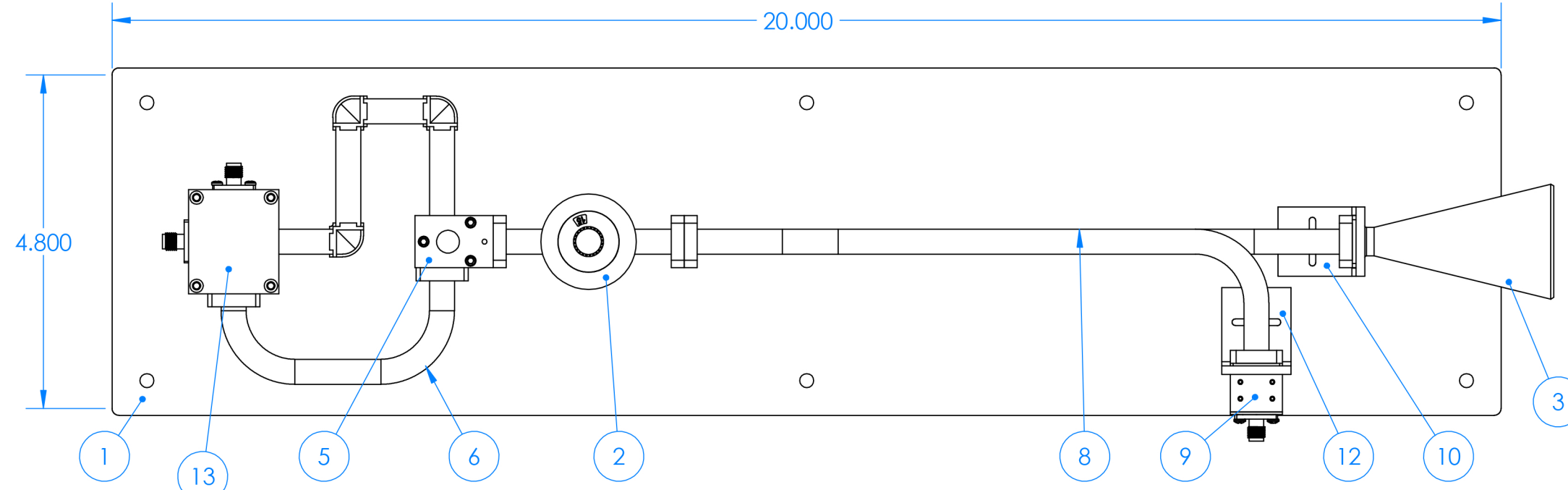


REVISIONS			
REV	DESCRIPTION	DATE	APPROVED
-	-	-	-



6X ϕ .201 THRU ALL

ITEM NO.	PART NUMBER	QTY.
1	ASD_MOUNTING PLATE_29000	1
2	520 ABU_Assembly_21983	1
3	261A-20-599_22294	1
5	179A-599_30-40GHz NARROW BAND_28072	1
6	WR-28_H PLANE BEND_599	2
7	520A_MOUNTING SPACER_ASD_29001	1
8	559A-10-40_ASSEMBLY_21396	1
9	411A-599-K END LAUNCHED_Assembly_25362	1
10	Mounting Bracket_599_ASD_28999	1
11	520A_End Cap_ASD_28998	1
12	Mounting Bracket_599_ASD_410_29010	1
13	971A_INLINE_599_ASSEMBLY_29051	1

DECIMALS: XXXX \pm .0005 XXX \pm .005 XX \pm .01	DRAWN SB 8-29-25	NAME SB	DATE 8-29-25
ANGLES: \pm .5 DEGREE	CHECKED MS 8-29-25	ENG MS	8-29-25
THIRD ANGLE PROJECTION	MATERIAL: 6061 T6 ALUMINUM		

TITLE: Millimeter Wave Products Inc.	REV: -
SIZE: B	DWG. NO.: 977A-35.5_599_OUTLINE
SCALE: 1:2	WEIGHT: SHEET 1 OF 1