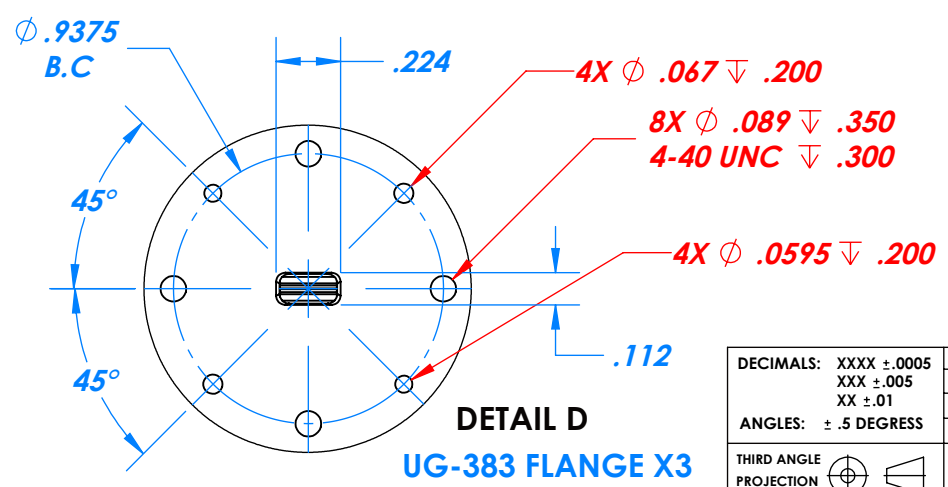
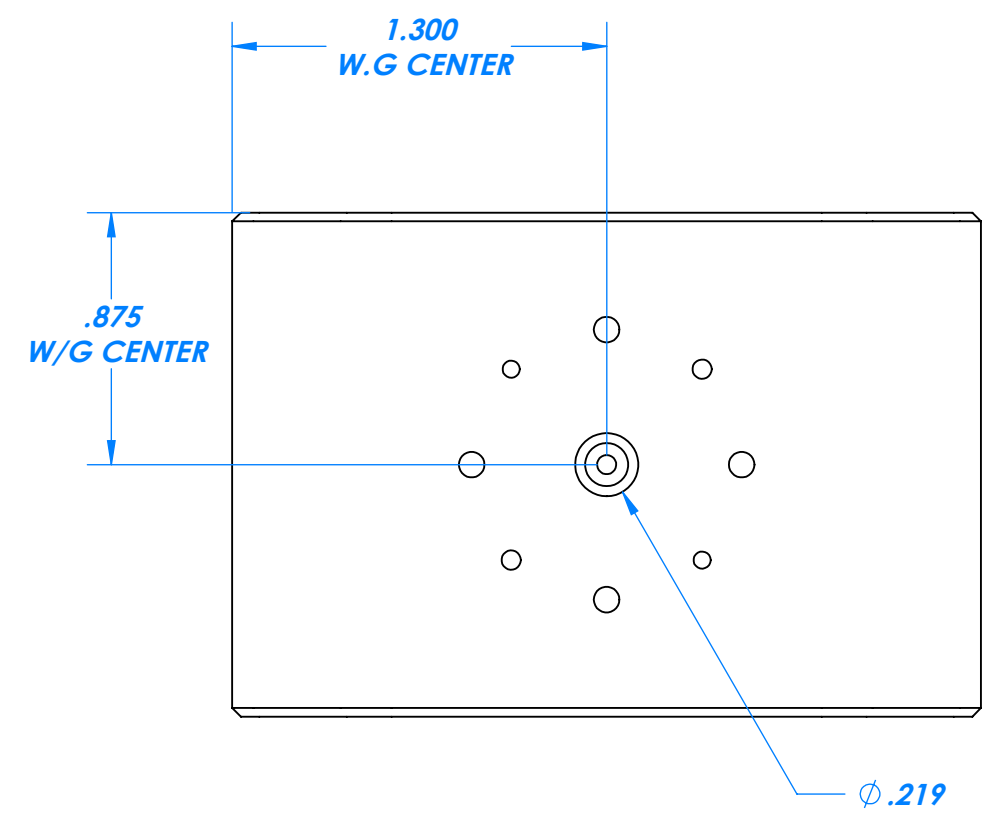
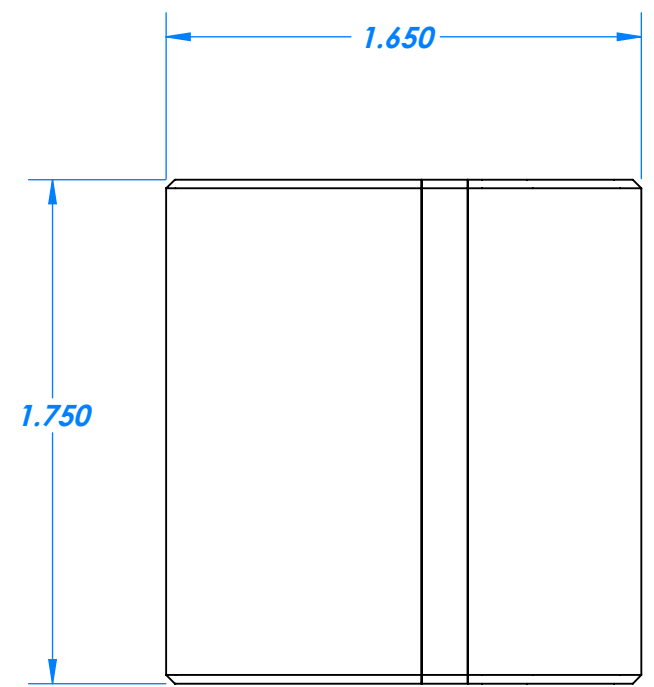
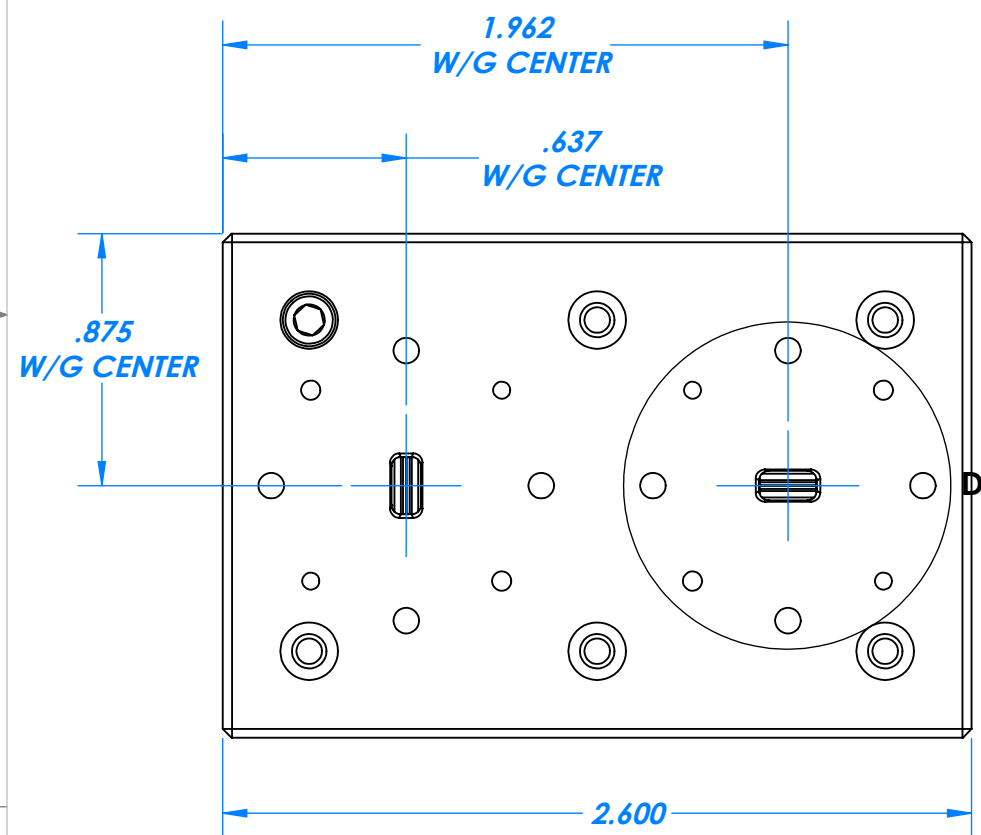
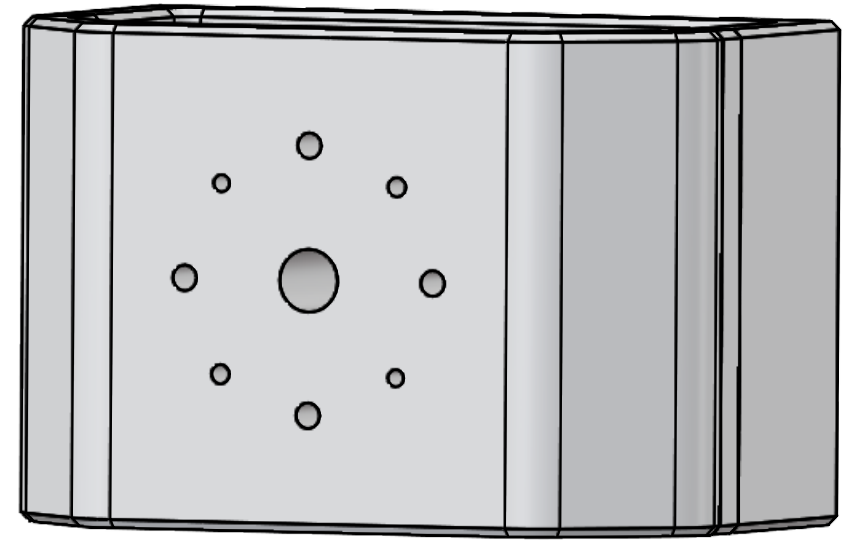
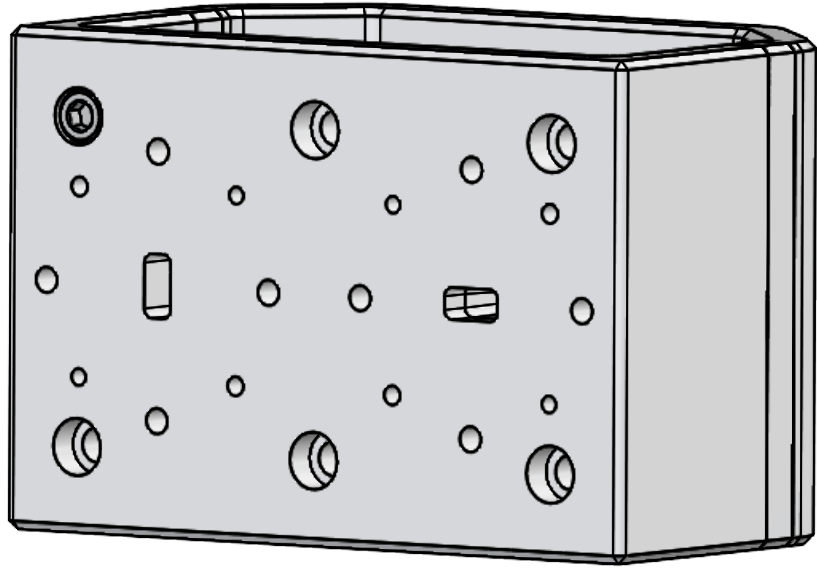
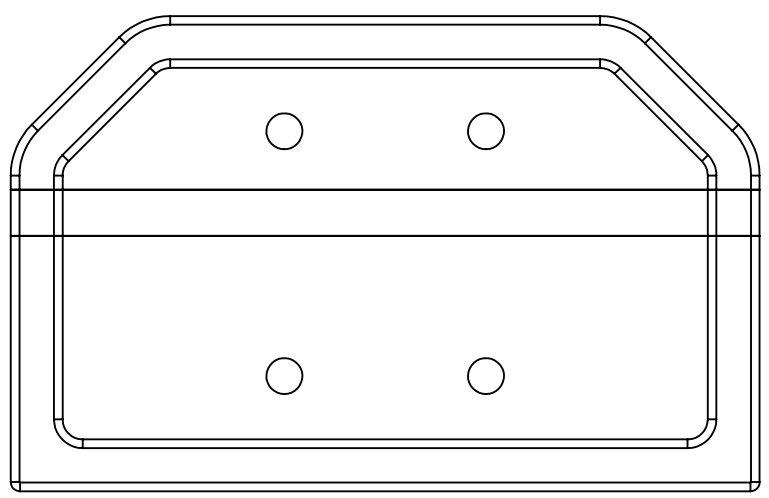


REVISIONS

REV	DESCRIPTION	DATE	APPROVED
-	-	-	-



DECIMALS: XXXX ±.0005 XXX ±.005 XX ±.01	NAME: CC DATE: 2-20-26	TITLE: Millimeter Wave Products Inc.
CHECKED: LS DATE: 2-20-26	ENG: LS DATE: 2-20-26	SIZE: B
THIRD ANGLE PROJECTION	MATL: 6061 T6 ALUMINUM	DWG. NO.: 281Q-V_OUTLINE_29318
	SCALE: 3:2	WEIGHT:
		REV: -
		SHEET 1 OF 1