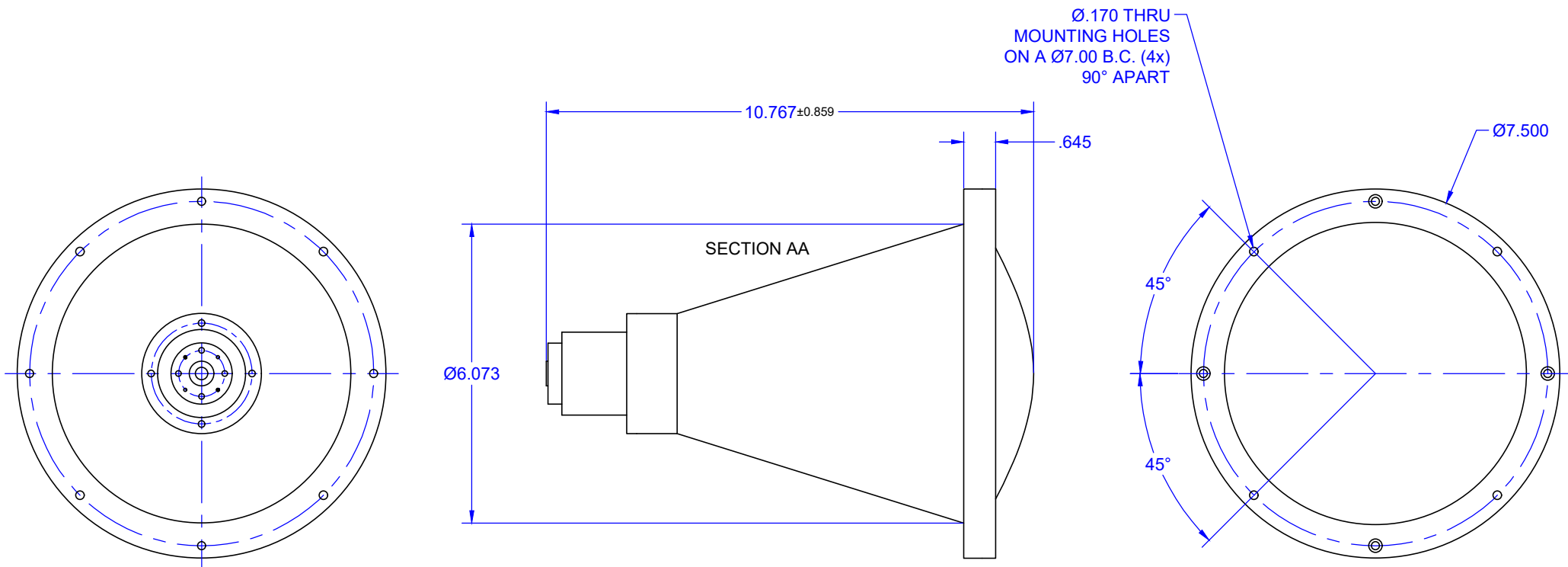


REVISIONS			
REV	DESCRIPTION	DATE	APPROVED
--	--	--	--



OVERALL LENGTH OF ANTENNA CAN RANGE FROM 9.908in TO 11.626in

QTY	PART NUMBER	DESCRIPTION		ITEM
	UNLESS OTHERWISE SPECIFIED ALL SURFACES 32/	 THIRD ANGLE PROJECTION		Mi-Wave Millimeter Products Inc. 258A-6-.250 OUTLINE
	DIMENSIONS ARE IN INCHES TOLERANCES ARE: DECIMALS: .1234 +/- .0005 .123 +/- .005 .12 +/- .01 ANGLES: +/- .5 DEGREES ALL THREADS TO BE 2A OR 2B			
REF DWG# --	ORIGINAL DWG# 20177f	SHEET NO. 1	OF 1	DWG NO 25778