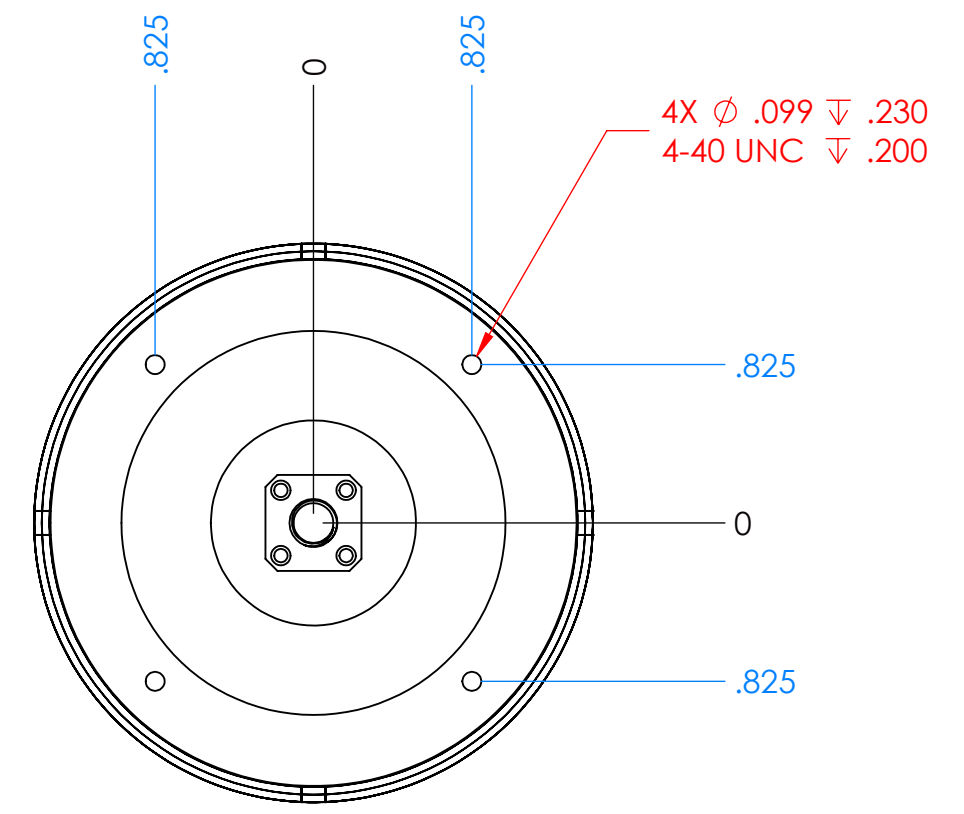
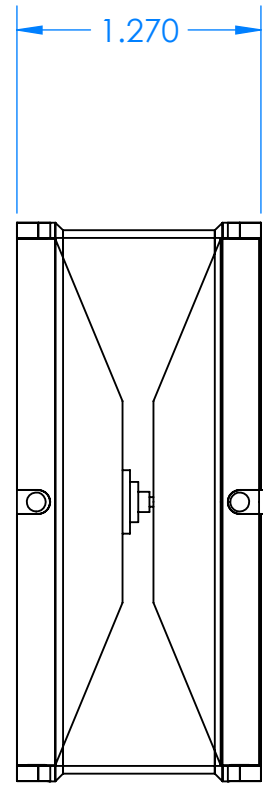
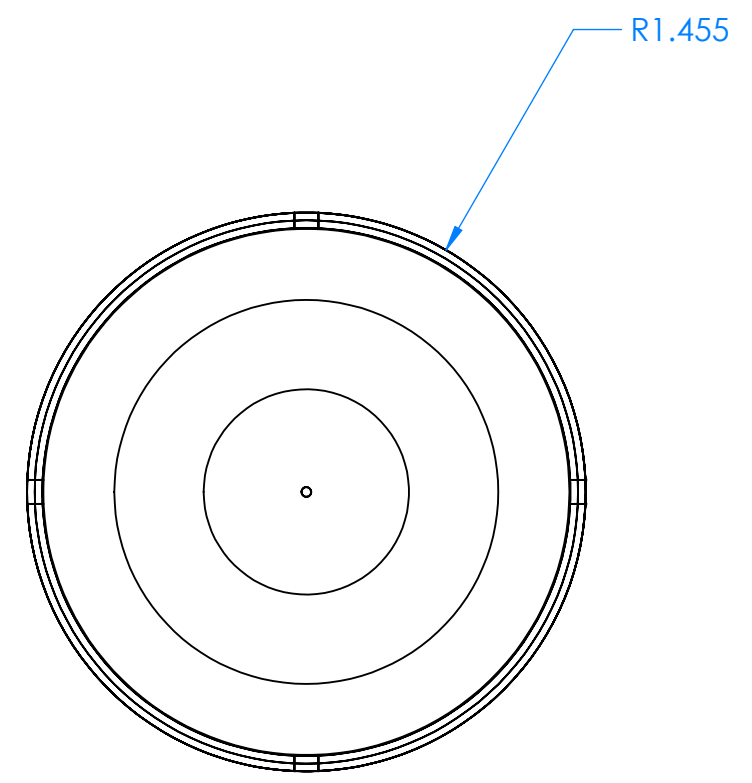
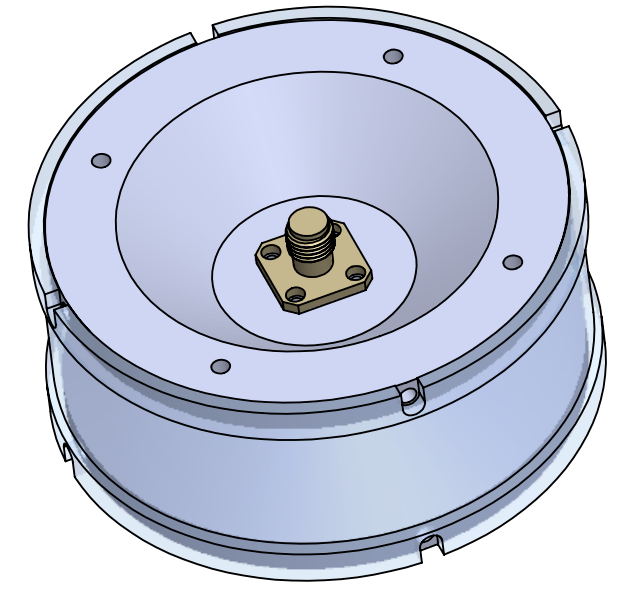
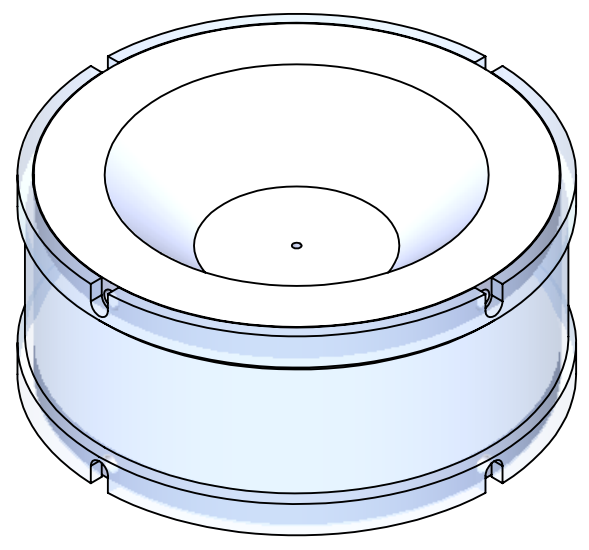


REVISIONS			
REV	DESCRIPTION	DATE	APPROVED
-	-	-	-



DECIMALS: XXXX ±.0005 XXX ±.005 XX ±.01	ANGLES: ±.5 DEGRESS	THIRD ANGLE PROJECTION	<table border="1"> <tr> <td>DRAWN</td> <td>JV</td> <td>DATE</td> <td>6-17-24</td> </tr> <tr> <td>CHECKED</td> <td>MS</td> <td>DATE</td> <td>6-17-24</td> </tr> <tr> <td>ENG</td> <td>LS</td> <td>DATE</td> <td>6-17-24</td> </tr> </table>	DRAWN	JV	DATE	6-17-24	CHECKED	MS	DATE	6-17-24	ENG	LS	DATE	6-17-24	<table border="1"> <tr> <td colspan="2">TITLE:</td> <td colspan="2">Millimeter Wave Products Inc.</td> </tr> <tr> <td>SIZE</td> <td>DWG. NO.</td> <td colspan="2">REV</td> </tr> <tr> <td><b>B</b></td> <td>267Ku_OMNI_SMA_OUTLINE_28112</td> <td colspan="2">-</td> </tr> </table>	TITLE:		Millimeter Wave Products Inc.		SIZE	DWG. NO.	REV		<b>B</b>	267Ku_OMNI_SMA_OUTLINE_28112	-	
DRAWN	JV	DATE	6-17-24																									
CHECKED	MS	DATE	6-17-24																									
ENG	LS	DATE	6-17-24																									
TITLE:		Millimeter Wave Products Inc.																										
SIZE	DWG. NO.	REV																										
<b>B</b>	267Ku_OMNI_SMA_OUTLINE_28112	-																										
MATERIAL: <b>6061 T6 ALUMINUM</b>			SCALE: 1:1 WEIGHT: SHEET 1 OF 1																									