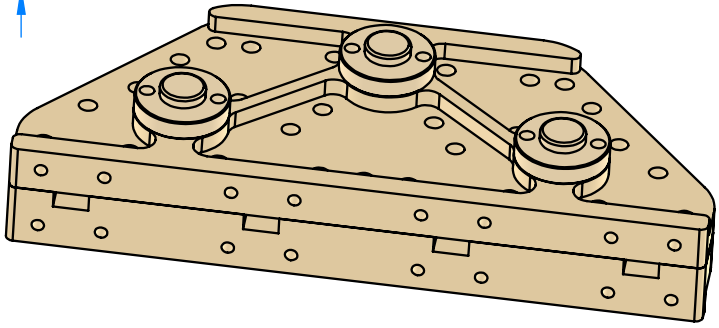
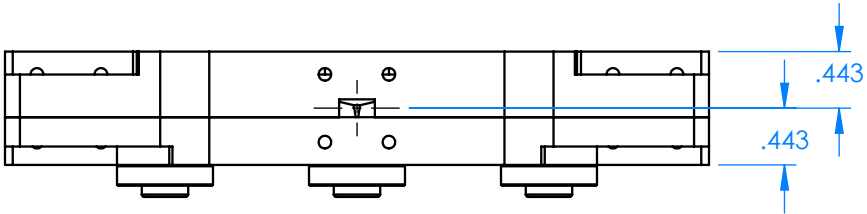
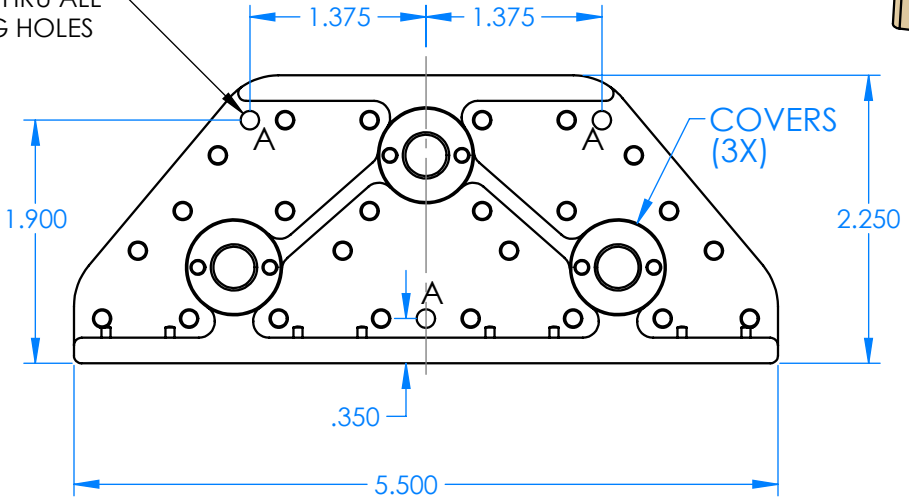
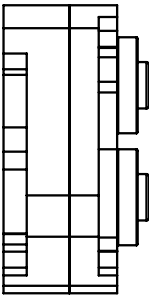


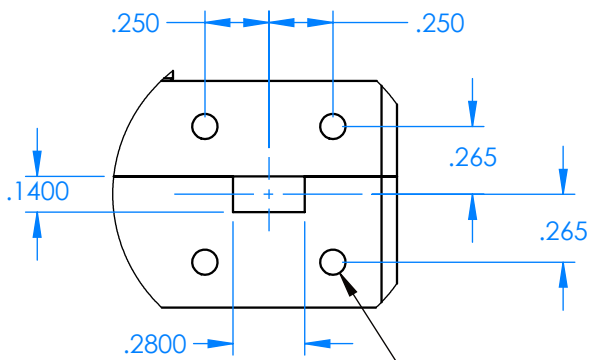
REVISIONS			
REV	DESCRIPTION	DATE	APPROVED
--	--	--	--



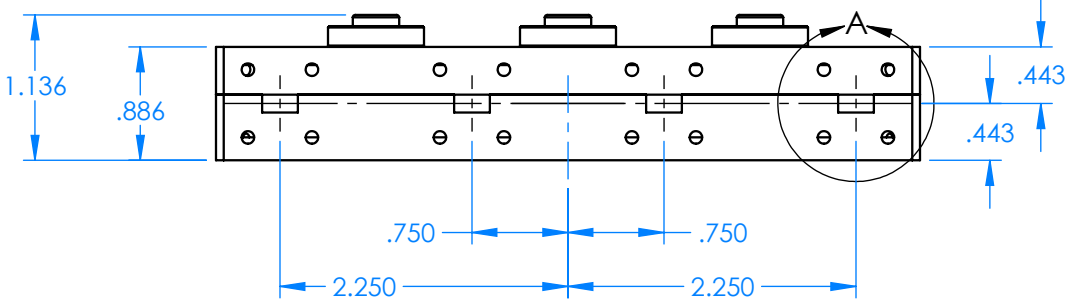
-A-  
3X Ø .144 THRU ALL  
MOUNTING HOLES



COVERS  
(3X)



UG-599  
FLANGE  
PATTERN  
(5X)  
4-40 UNC  $\nabla$  .250  
(20X)



DECIMALS: XXXX ±.0005 XXX ±.005 XX ±.01	NAME	DATE
ANGLES: ± .5 DEGREE	DRAWN	JV 4-15-24
THIRD ANGLE PROJECTION	CHECKED	MS 4-15-24
	ENG	LS 4-15-24
	MATL:	6061 T6 ALUMINUM

TITLE:	Millimeter Wave Products Inc.	
SIZE	DWG. NO.	REV
<b>A</b>	604A-599_OUTLINE_27945	
SCALE: 2:3	WEIGHT:	SHEET 1 OF 1