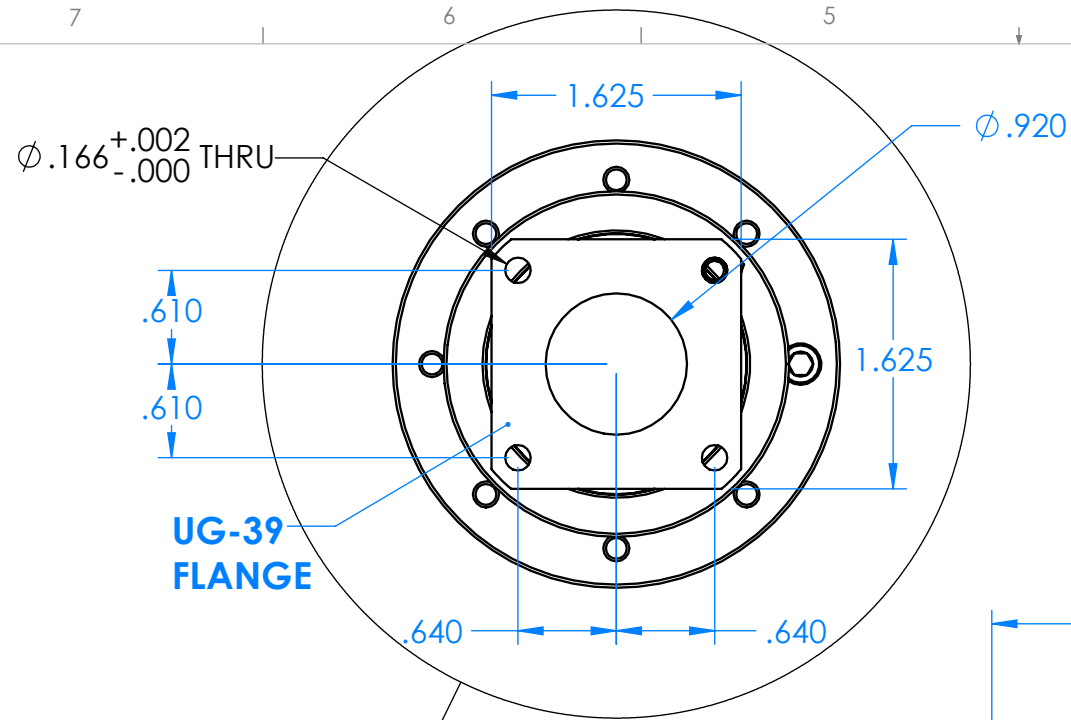
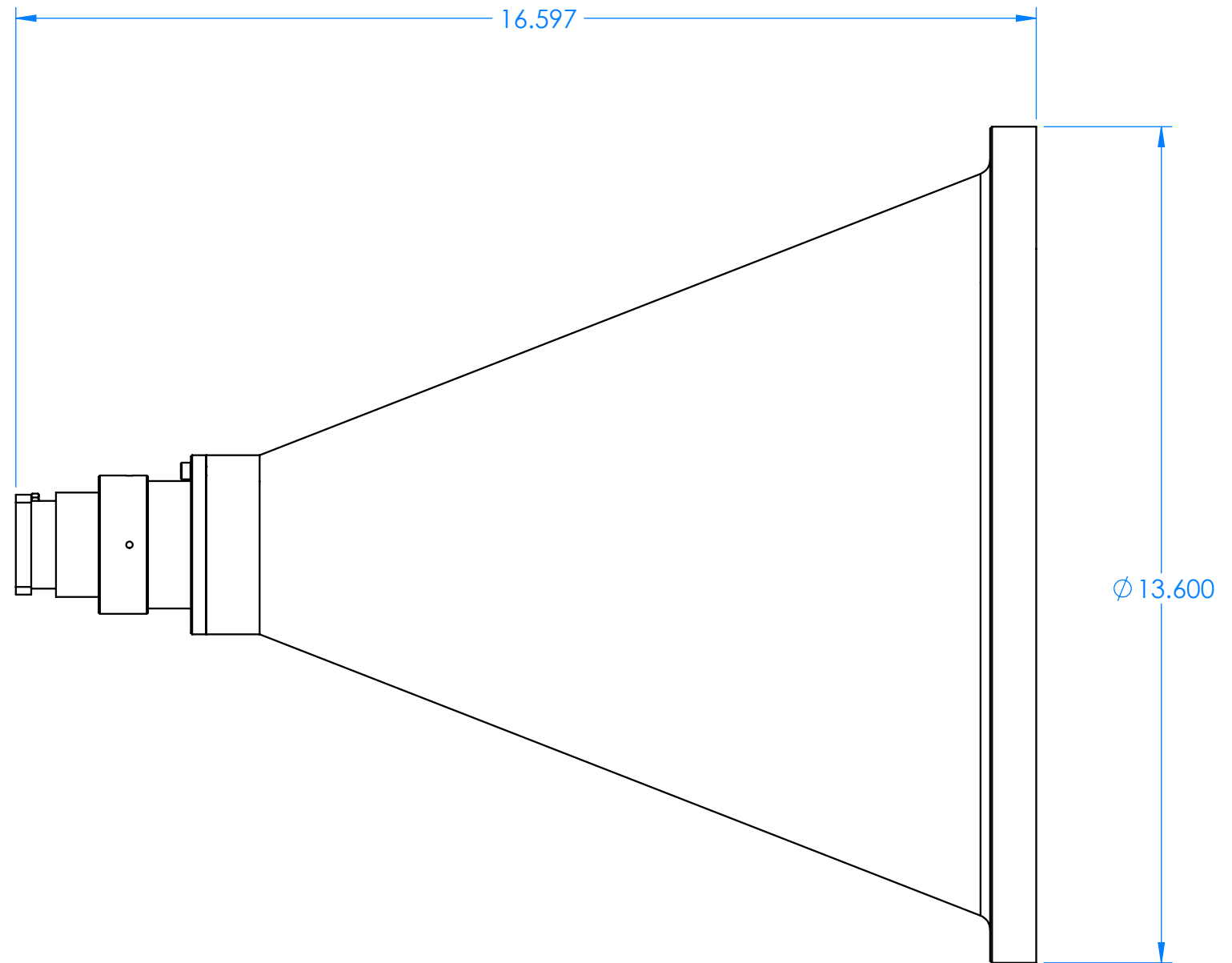
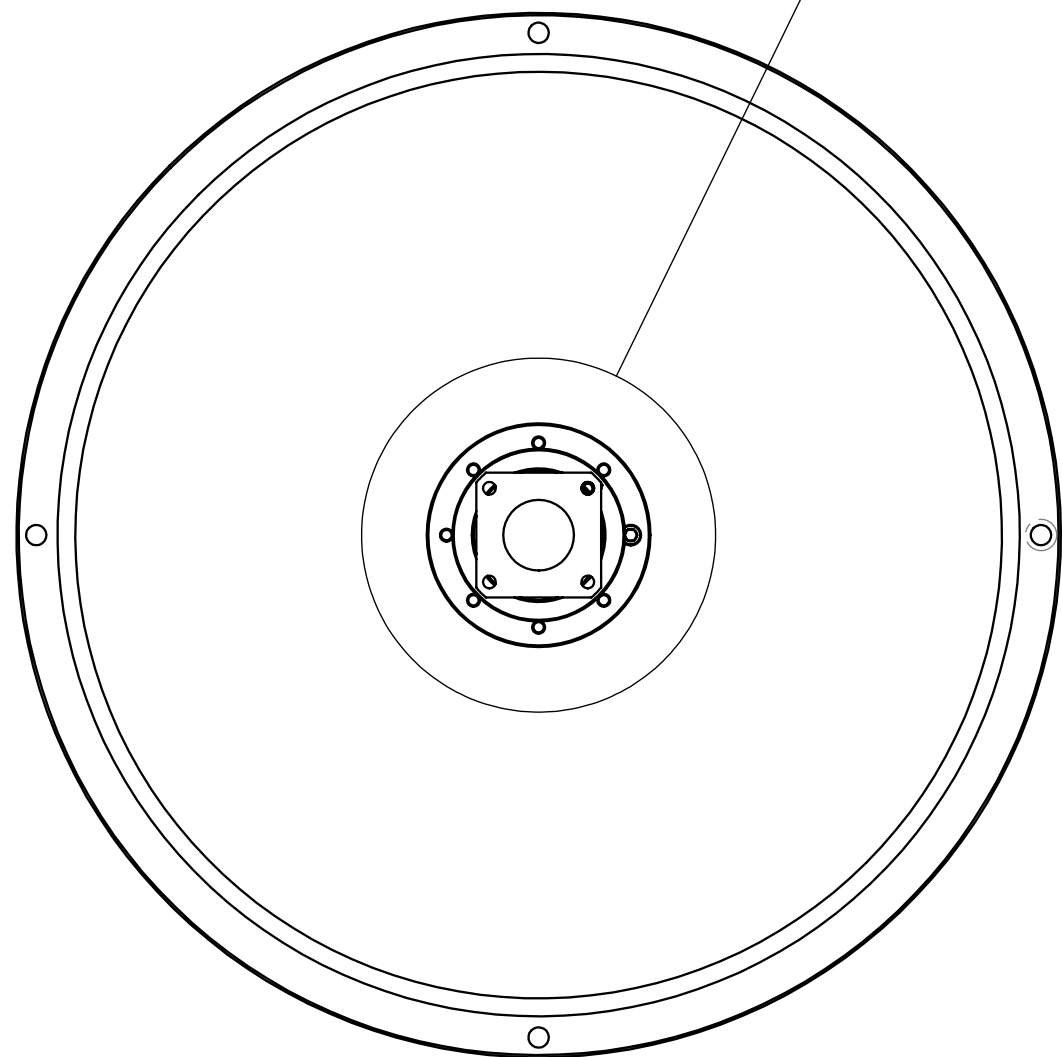


REVISIONS			
REV	DESCRIPTION	DATE	APPROVED
-	-	-	-



DETAIL C
SCALE 2 : 2.5



DECIMALS: XXXX ±.0005 XXX ±.005 XX ±.01	DRAWN: JV 4-20-21	NAME: JV DATE: 4-20-21	TITLE: Millimeter Wave Products Inc.
ANGLES: ±.5 DEGRESS	CHECKED: MS 4-20-21	ENG: MS 4-20-21	SIZE: A
THIRD ANGLE PROJECTION	MATL: 6061 T6 ALUMINUM	DWG. NO. 258X-12-.920-39_OUTLINE_26744	REV: -
	SCALE: 1:2.5	WEIGHT:	SHEET 1 OF 1