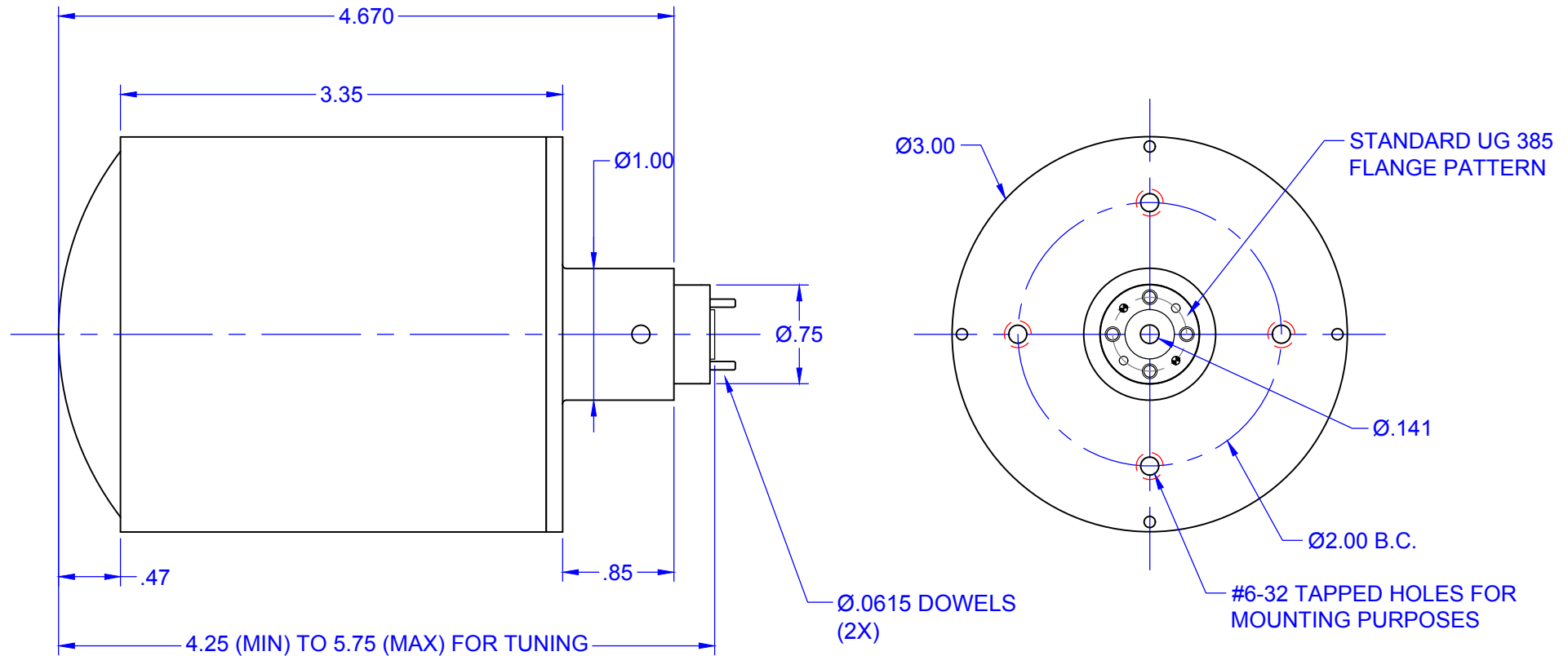


REVISIONS			
REV	DESCRIPTION	DATE	APPROVED
--	--	--	--



ALL DIMENSIONS ARE
REFERENCE ONLY

QTY	PART NUMBER	OUTLINE		ITEM
UNLESS OTHERWISE SPECIFIED		DESCRIPTION		
ALL SURFACES $\sqrt{32}$		<p>THIRD ANGLE PROJECTION</p>		
DIMENSIONS ARE IN INCHES TOLERANCES ARE: DECIMALS: .1234 +/- .0005 .123 +/- .005 .12 +/- .01 ANGLES: +/- .5 DEGREES				
ALL THREADS TO BE 2A OR 2B		DRAFTING: JV APPROVED: M.S. DATE: 8-24-18		Mi-Wave Millimeter Products Inc. 258V-3-60-.141-385 OUTLINE
REF DWG# 13649	SHEET NO. 1	OF 1	SIZE A	DWG NO 24217