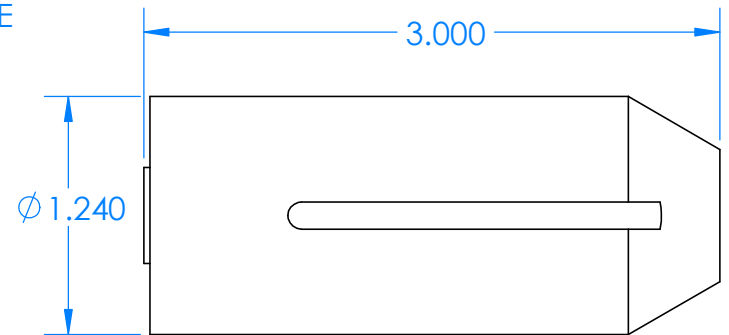
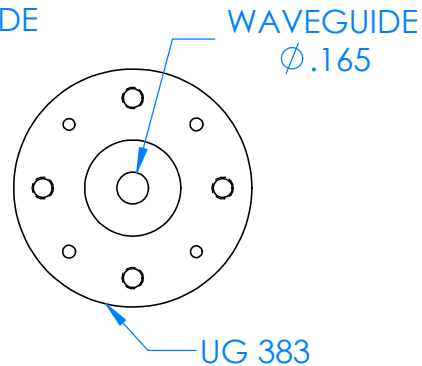
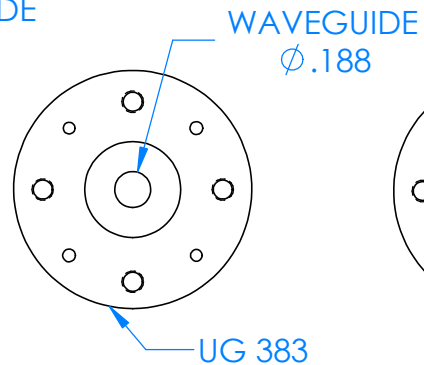
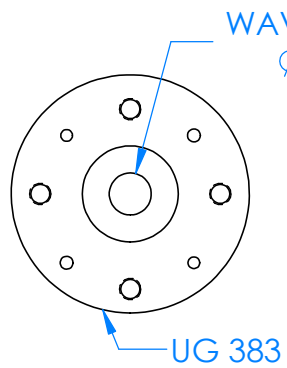
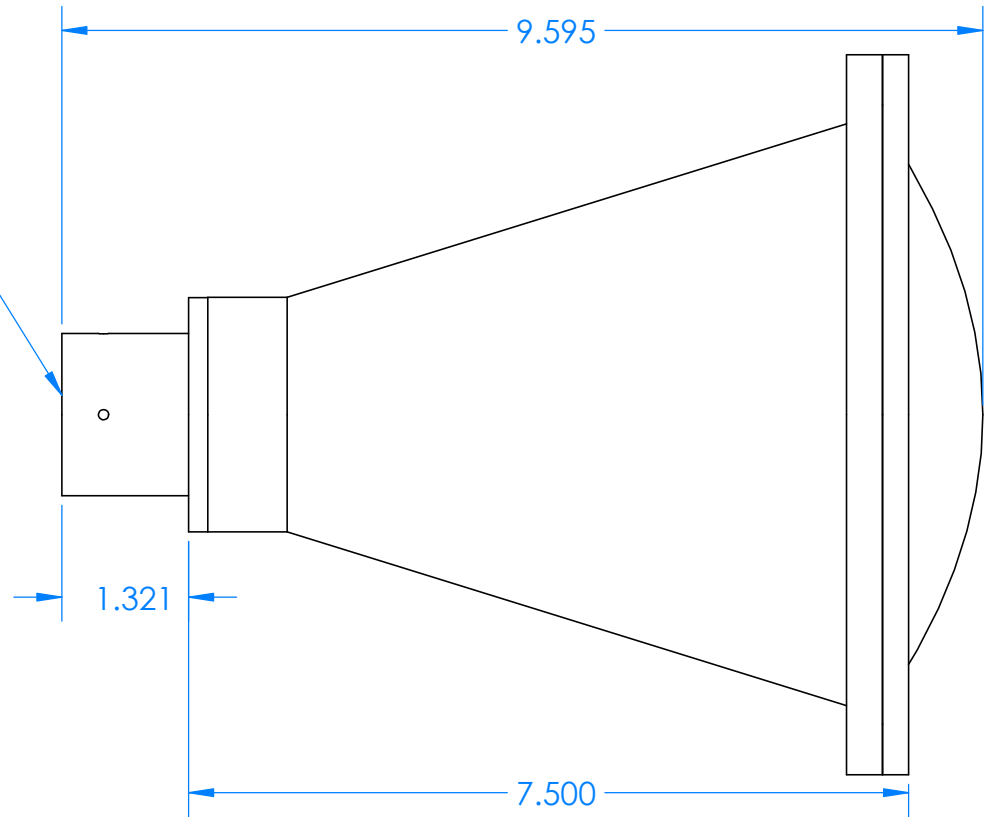
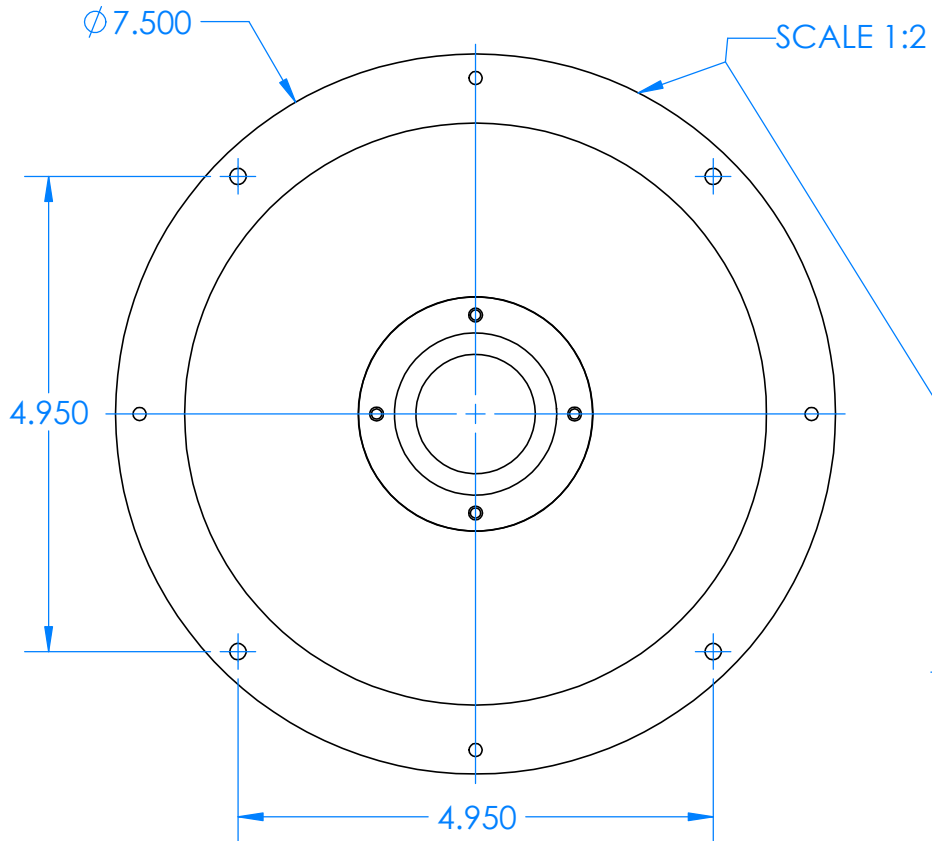


REVISIONS			
REV	DESCRIPTION	DATE	APPROVED
-	-	-	-



ALL DIMENSIONS ARE
REFERENCE ONLY

DECIMALS: XXXX ±.0005 XXX ±.005 XX ±.01	ANGLES: ± .5 DEGREE	THIRD ANGLE PROJECTION		<table border="1"> <tr> <td>NAME</td> <td>DATE</td> </tr> <tr> <td>DRAWN SB</td> <td>3-22-24</td> </tr> <tr> <td>CHECKED MS</td> <td>3-22-24</td> </tr> <tr> <td>ENG MS</td> <td>3-22-24</td> </tr> </table>	NAME	DATE	DRAWN SB	3-22-24	CHECKED MS	3-22-24	ENG MS	3-22-24
NAME	DATE											
DRAWN SB	3-22-24											
CHECKED MS	3-22-24											
ENG MS	3-22-24											
MATERIAL: 6061 T6 ALUMINUM												

TITLE: Millimeter Wave Products Inc.		REV
SIZE: A	DWG. NO. 258U-6-XXX-383_OUTLINE_27892	-
SCALE: 1:1	WEIGHT:	SHEET 1 OF 1