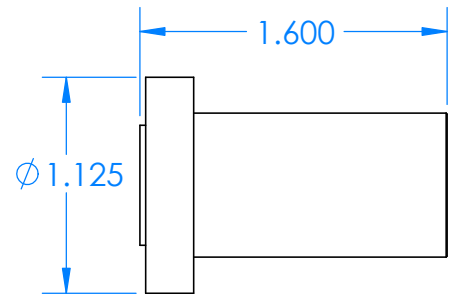
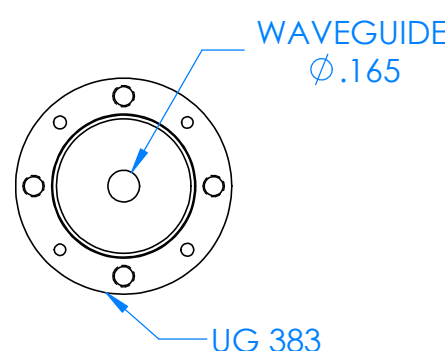
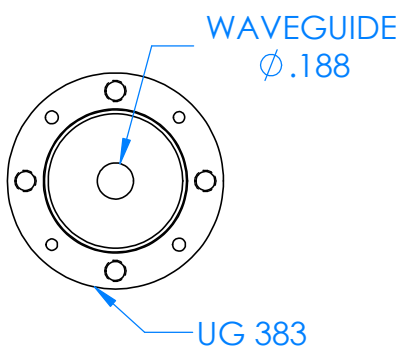
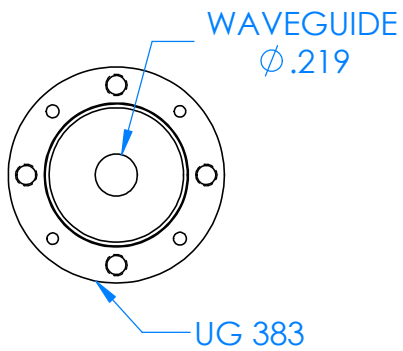
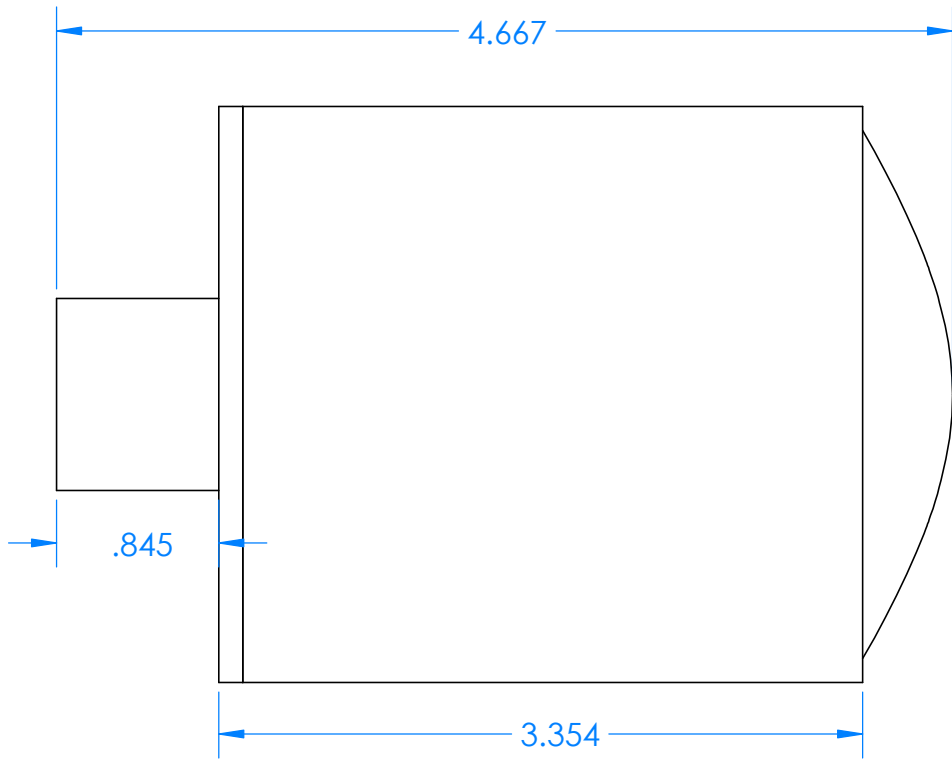
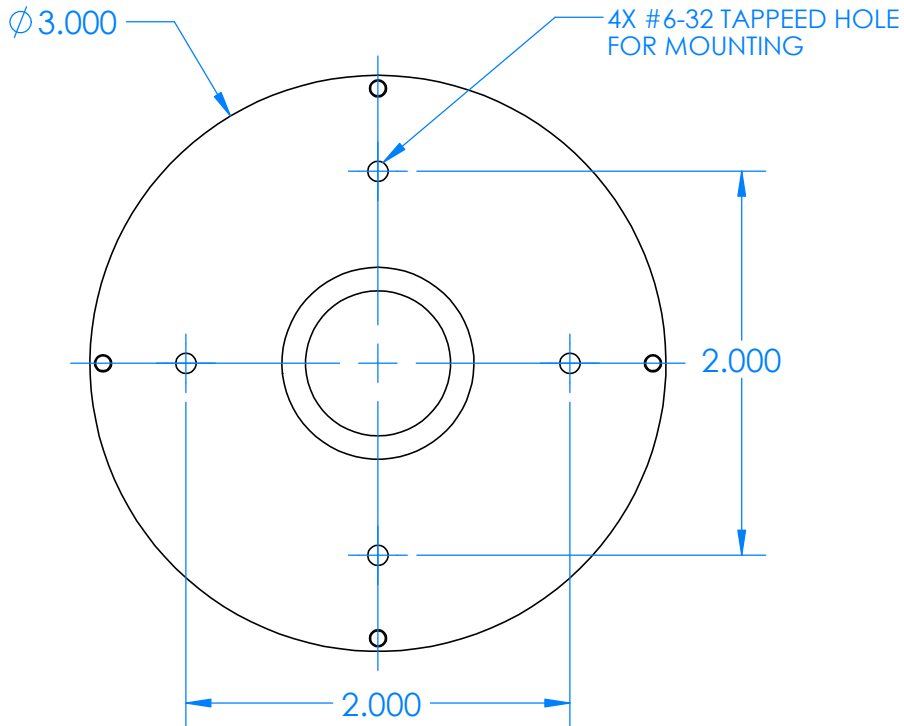


REVISIONS			
REV	DESCRIPTION	DATE	APPROVED
-	-	-	-



ALL DIMENSIONS ARE REFERENCE ONLY

DECIMALS: XXXX $\pm .0005$ XXX $\pm .005$ XX $\pm .01$	ANGLES: $\pm .5$ DEGRESS	THIRD ANGLE PROJECTION	<table border="1"> <tr> <td>NAME</td> <td>DATE</td> </tr> <tr> <td>DRAWN SB</td> <td>3-21-24</td> </tr> <tr> <td>CHECKED MS</td> <td>3-21-24</td> </tr> <tr> <td>ENG MS</td> <td>3-21-24</td> </tr> </table>	NAME	DATE	DRAWN SB	3-21-24	CHECKED MS	3-21-24	ENG MS	3-21-24
NAME	DATE										
DRAWN SB	3-21-24										
CHECKED MS	3-21-24										
ENG MS	3-21-24										
MATL: 6061 T6 ALUMINUM											

TITLE: Millimeter Wave Products Inc.	SIZE DWG. NO. 258U-3-XXX-383_OUTLINE_27891	REV -
SCALE: 1:1	WEIGHT:	SHEET 1 OF 1