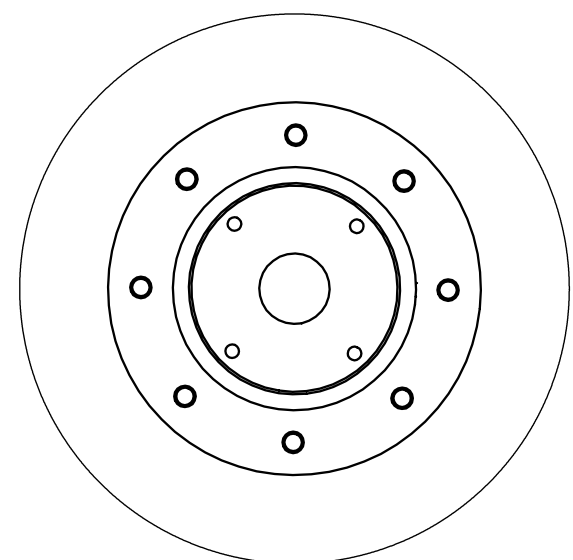
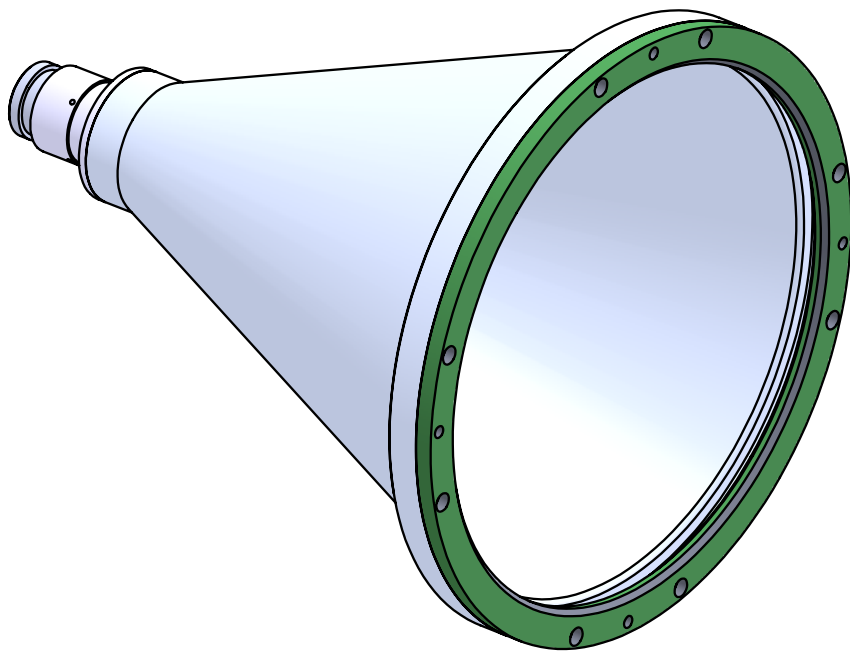
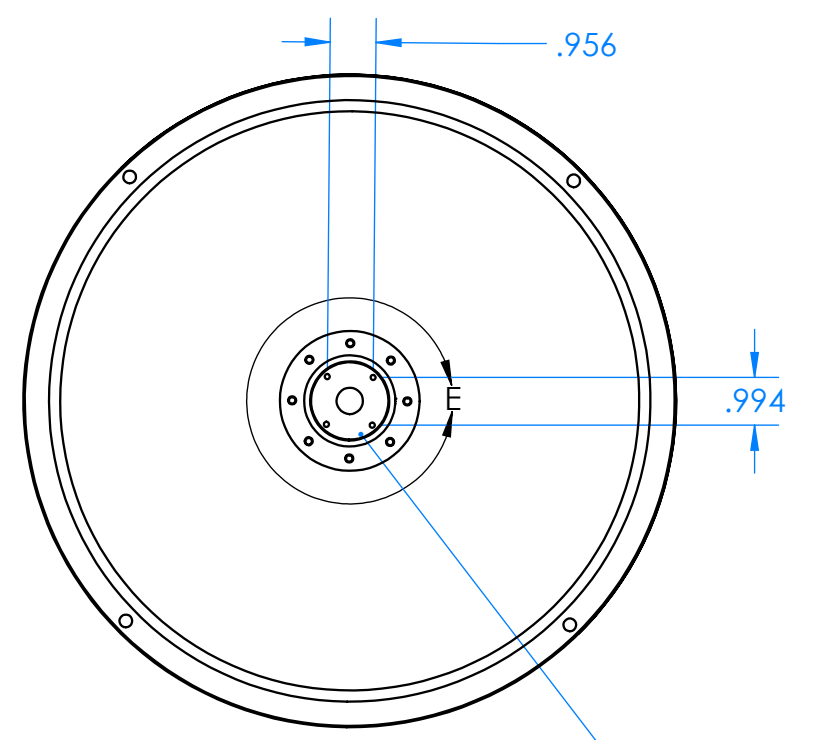


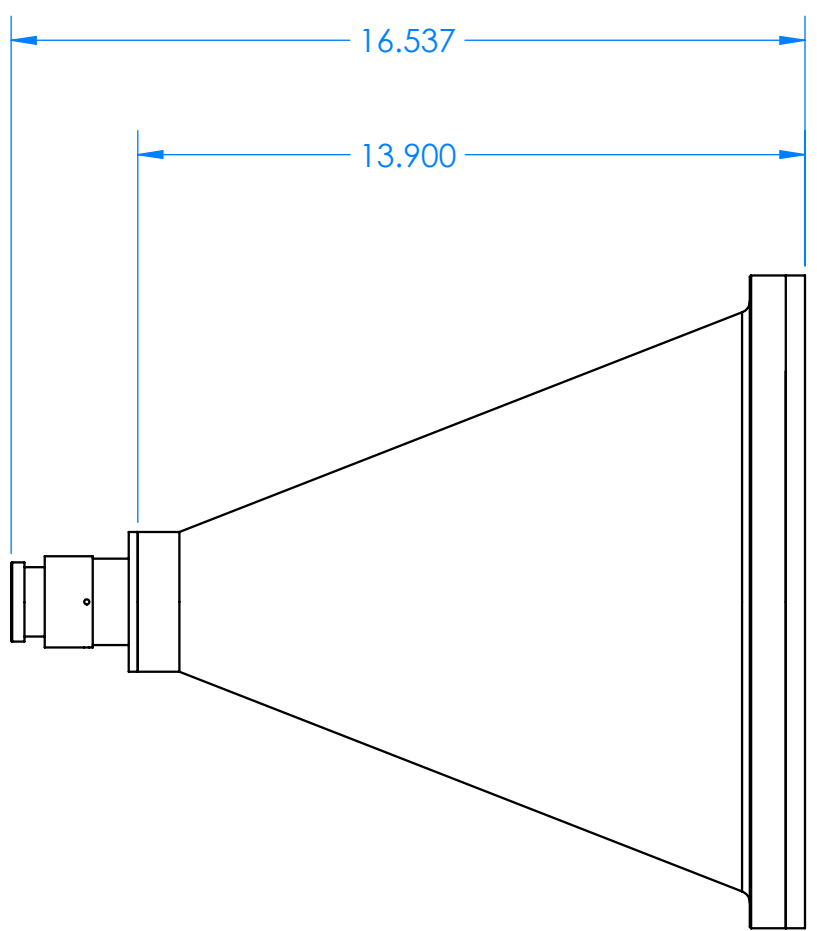
REVISIONS			
REV	DESCRIPTION	DATE	APPROVED
-	-	-	-



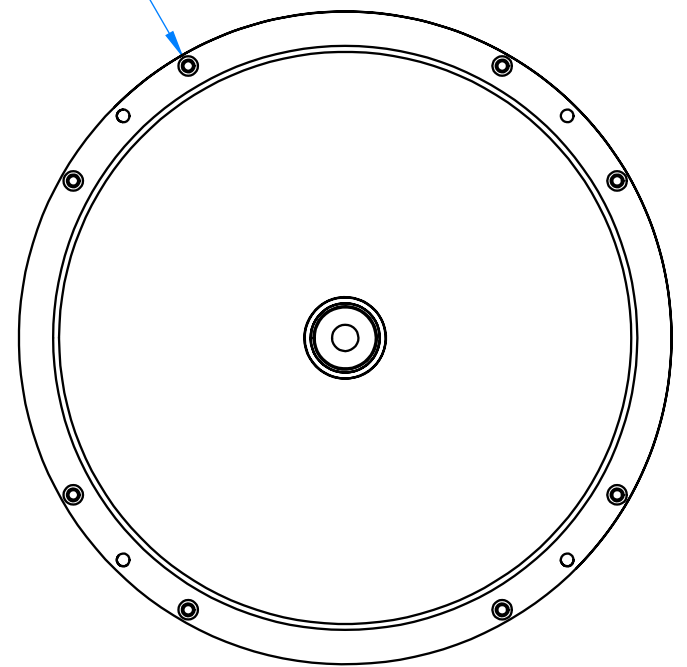
DETAIL E
SCALE 2:3



UG-419
FLANGE



Ø 13.600



DECIMALS: XXXX ±.0005 XXX ±.005 XX ±.01	NAME DRAWN CC 2-22-21	DATE 2-22-21	TITLE: Millimeter Wave Products Inc.	
ANGLES: ±.5 DEGRESS	CHECKED MS 2-22-21	2-22-21	SIZE A	DWG. NO. 258KU-12-OUTLINE_26456
THIRD ANGLE PROJECTION	MATL: 6061 T6 ALUMINUM	ENG MS 2-22-21	SCALE: 1:4	WEIGHT:
				REV -
				SHEET 1 OF 1