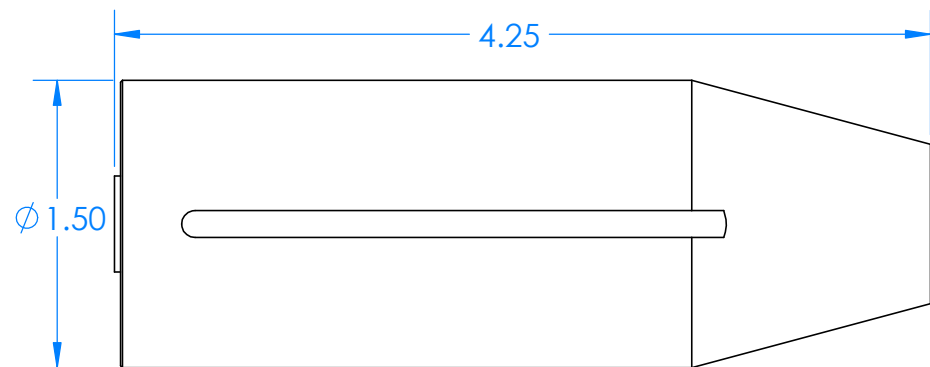
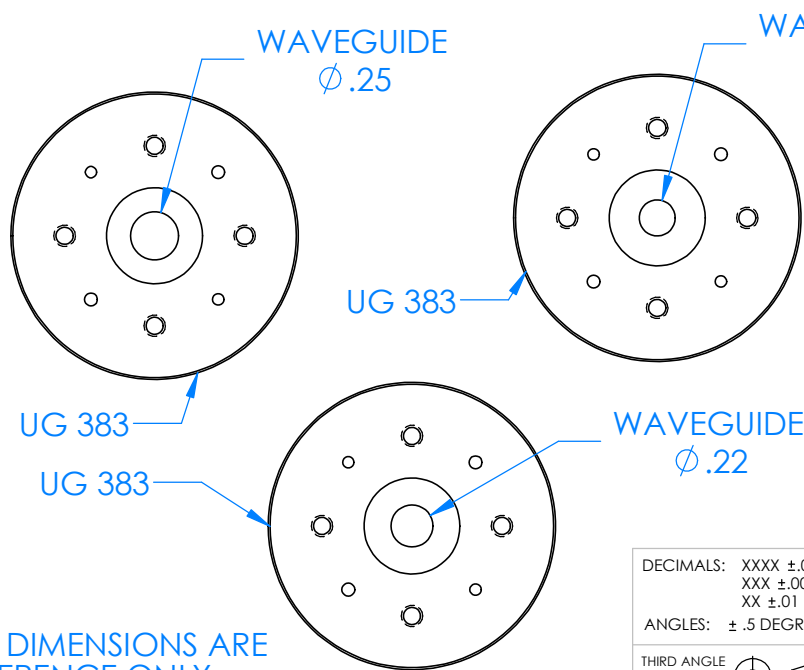
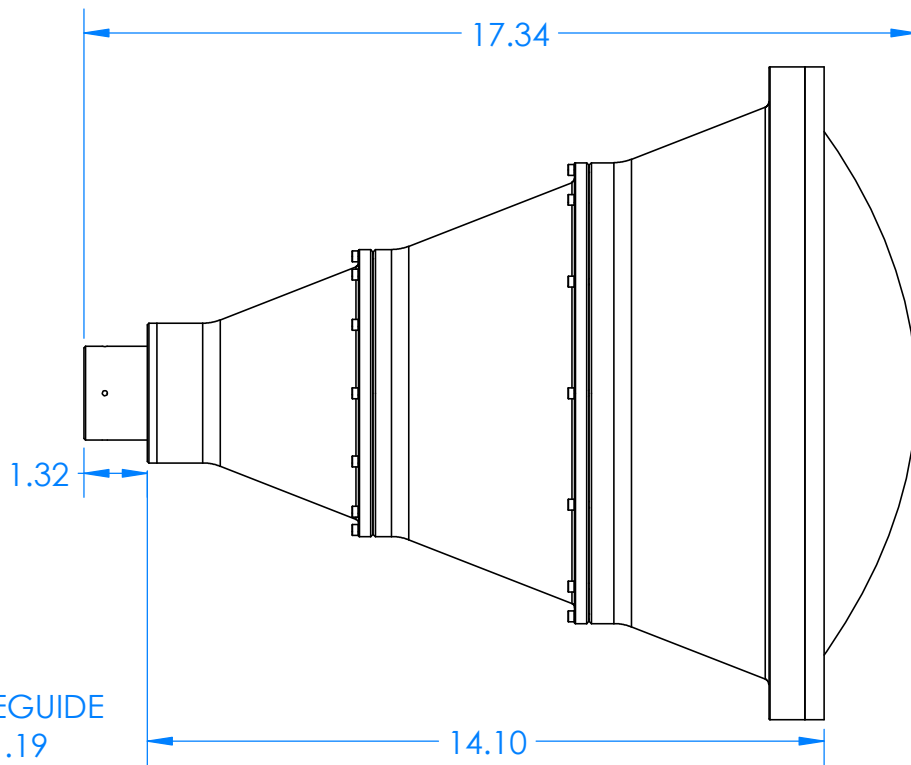
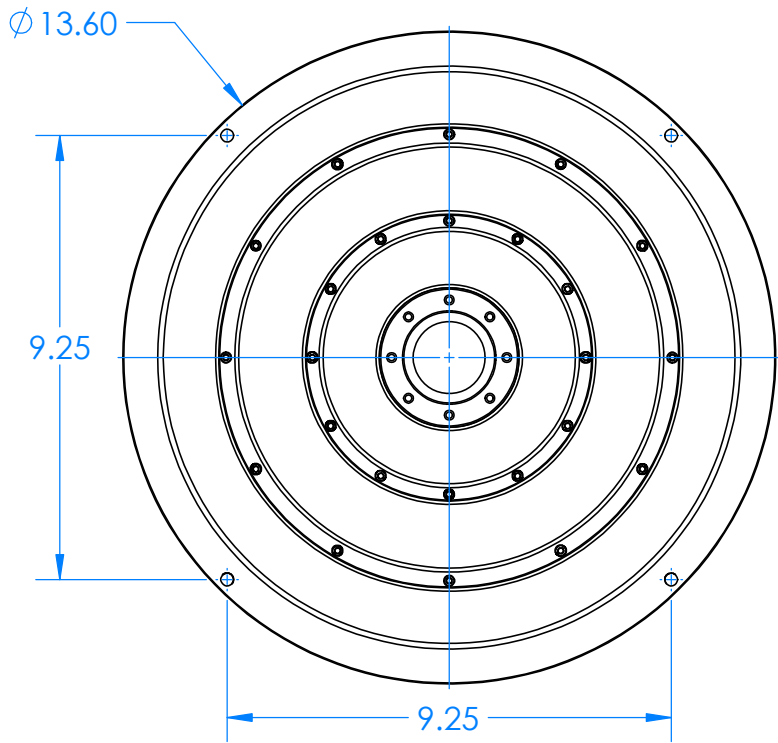


REVISIONS			
REV	DESCRIPTION	DATE	APPROVED
-	-	-	-



ALL DIMENSIONS ARE REFERENCE ONLY

DECIMALS: XXXX $\pm .0005$ XXX $\pm .005$ XX $\pm .01$	ANGLES: $\pm .5$ DEGREE	THIRD ANGLE PROJECTION	NAME	DATE
			DRAWN SB	3-20-24
			CHECKED MS	3-20-24
			ENG MS	3-20-24
MATERIAL: <b>6061 T6 ALUMINUM</b>				

TITLE: <b>Millimeter Wave Products Inc.</b>		REV
SIZE <b>A</b>	DWG. NO. <b>258B-12-XXX-383_OUTLINE_27890</b>	-
SCALE: 1:1	WEIGHT:	SHEET 1 OF 1