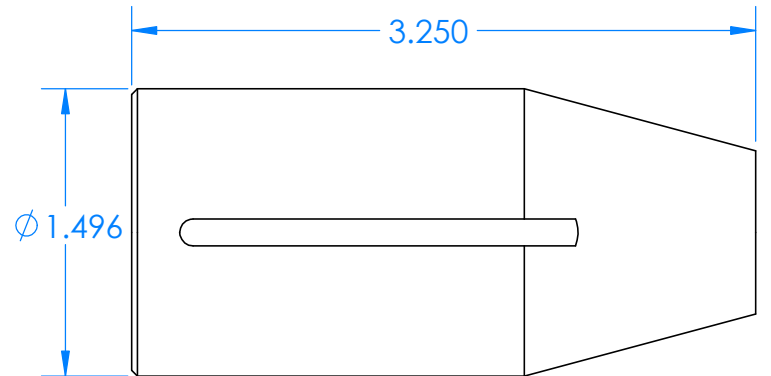
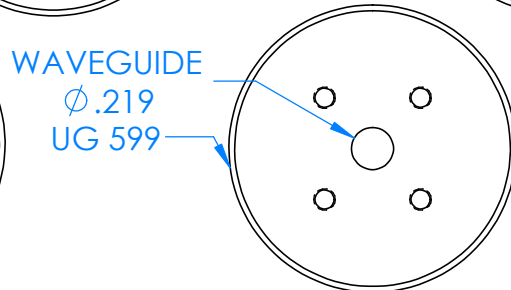
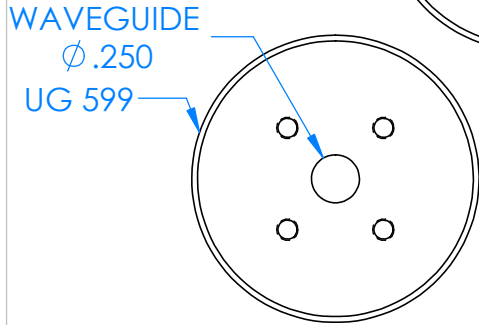
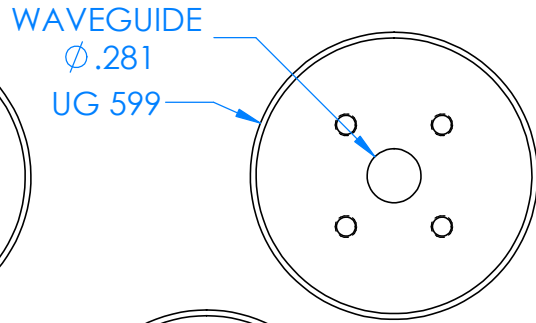
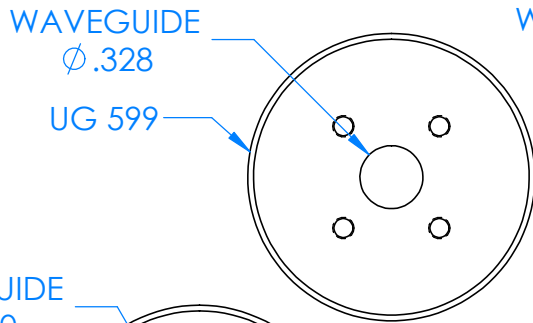
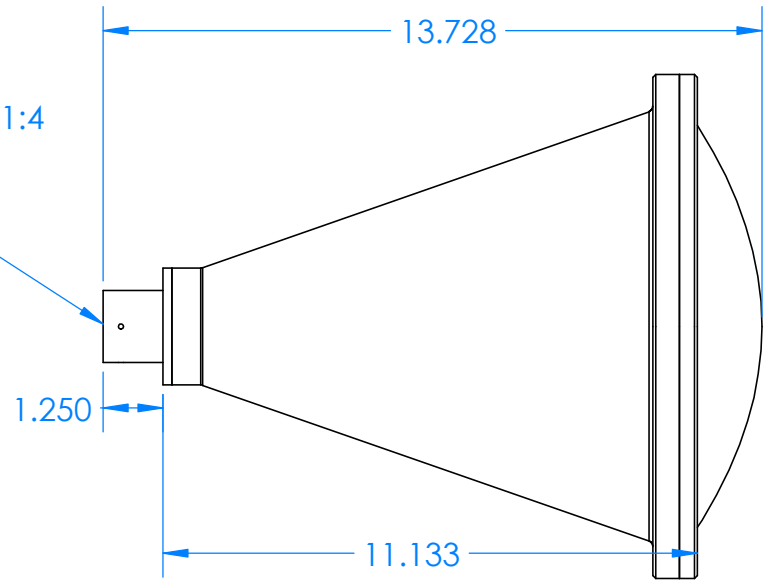
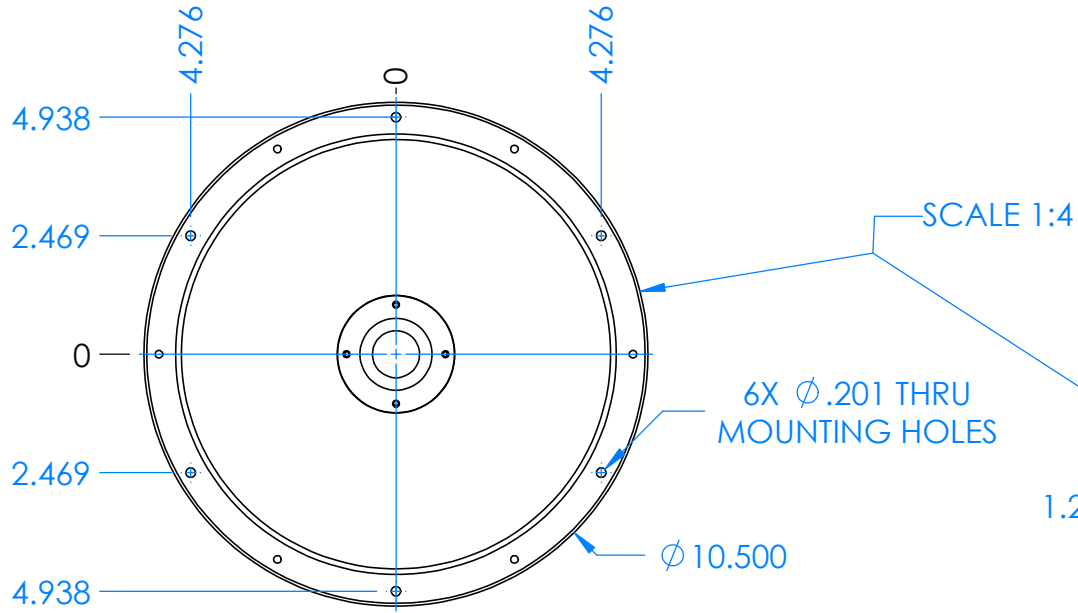


REVISIONS			
REV	DESCRIPTION	DATE	APPROVED
-	-	-	-



ALL DIMENSIONS ARE REFERENCE ONLY

DECIMALS: XXXX ±.0005 XXX ±.005 XX ±.01	ANGLES: ±.5 DEGREE	THIRD ANGLE PROJECTION	NAME DRAWN SB CHECKED MS ENG MS	DATE 3-20-24 3-20-24 3-20-24
MATERIAL: 6061 T6 ALUMINUM			TITLE: Millimeter Wave Products Inc.	

SIZE A	DWG. NO. 258A-9-XXX-599_OUTLINE_27886	REV -
SCALE: 1:1	WEIGHT:	SHEET 1 OF 1