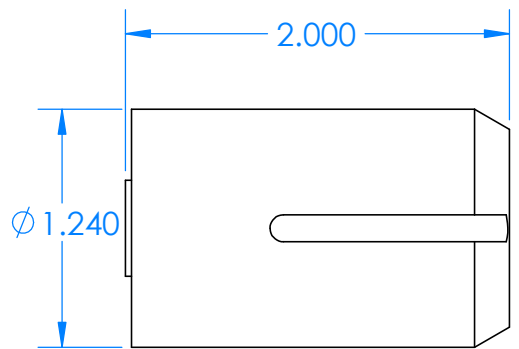
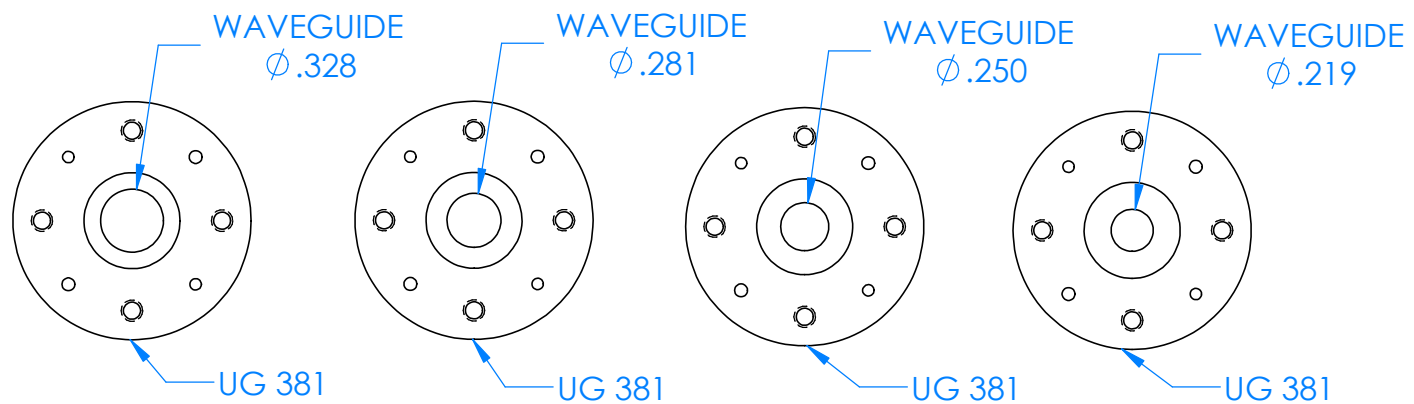
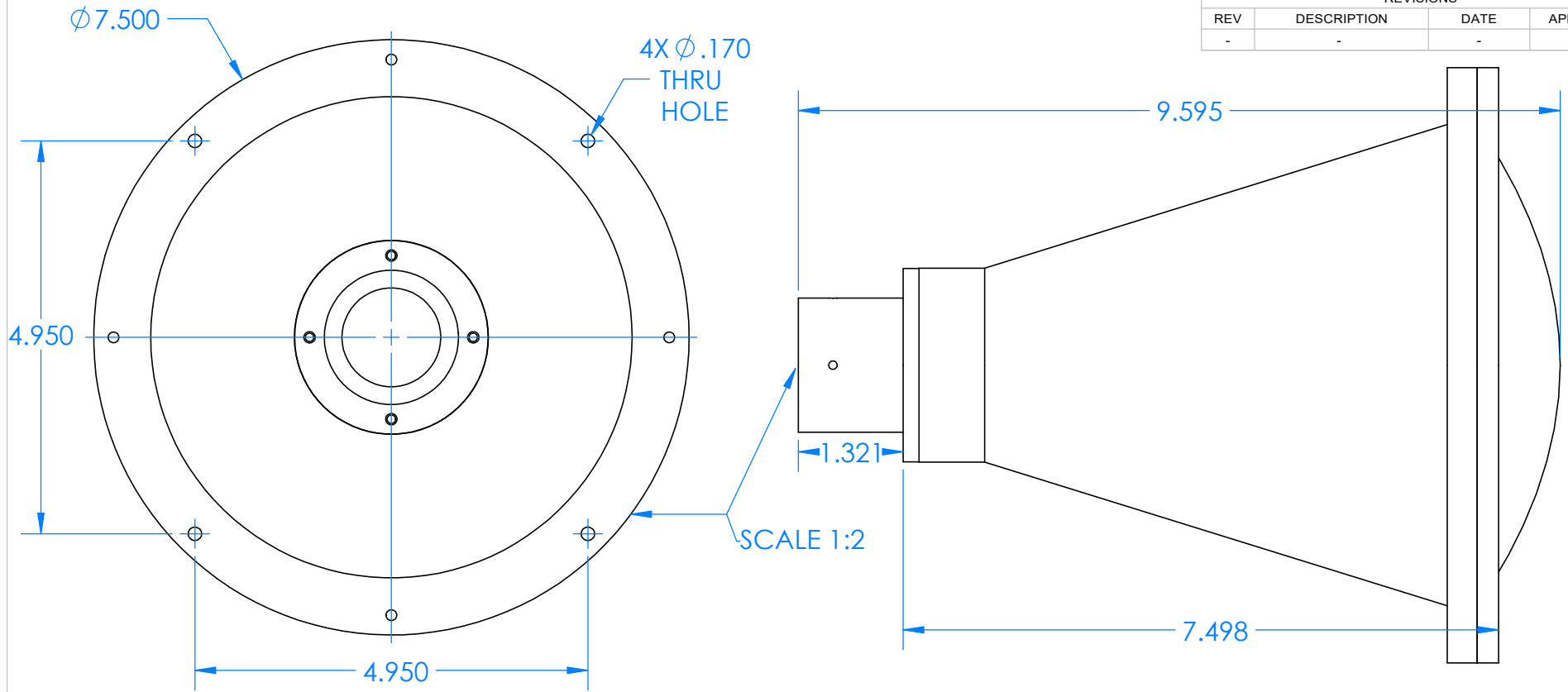


REVISIONS			
REV	DESCRIPTION	DATE	APPROVED
-	-	-	-



ALL DIMENSIONS ARE REFERENCE ONLY

DECIMALS: XXXX ±.0005 XXX ±.005 XX ±.01	NAME	DATE
ANGLES: ± .5 DEGREE	DRAWN SB	3-15-24
THIRD ANGLE PROJECTION	CHECKED MS	3-15-24
	ENG MS	3-15-24
	MATL:	
	6061 T6 ALUMINUM	

TITLE: Millimeter Wave Products Inc.		REV
SIZE DWG. NO.	258A-6-XXX-381_OUTLINE_27878	-
SCALE: 1:1	WEIGHT:	SHEET 1 OF 1