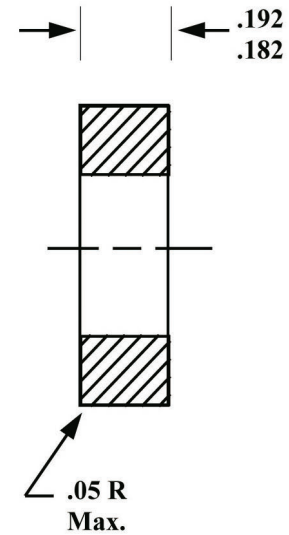
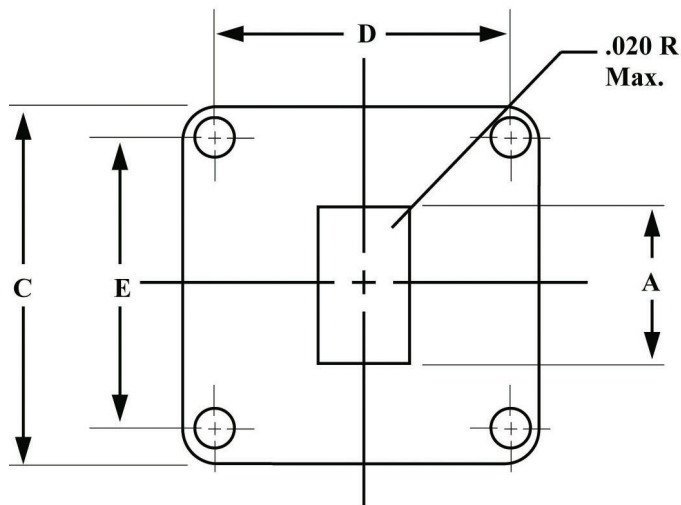
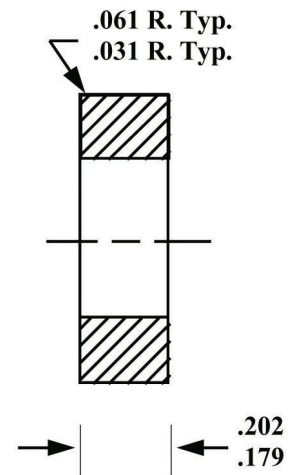
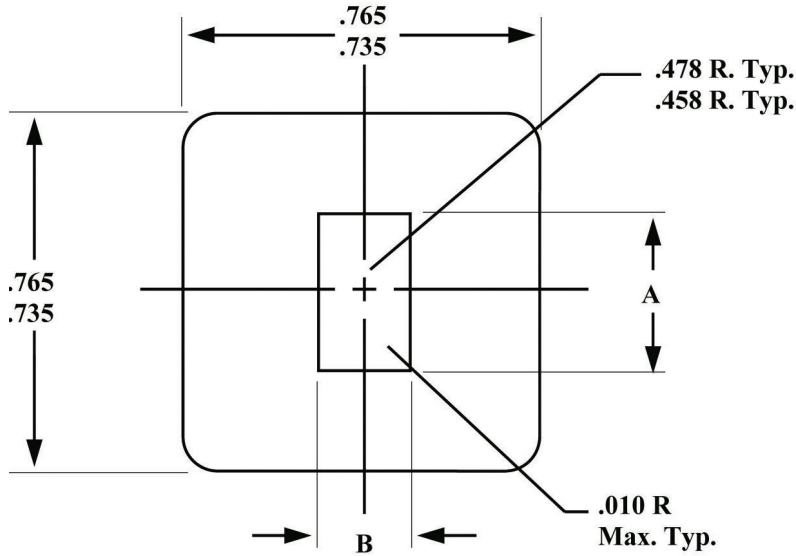


Flange Blank



MIWV Flange Designation	A	B	C	D BSC	E BSC
UG 599A	.364 .362	.224 .222	.755 .745	.530	.500
UG 595K	.505 .503	.255 .253	.890 .860	.670	.640

MIWV Part Number	A +.002-.000	B +.002-.000
719B	.306	.194
720U	.270	.176