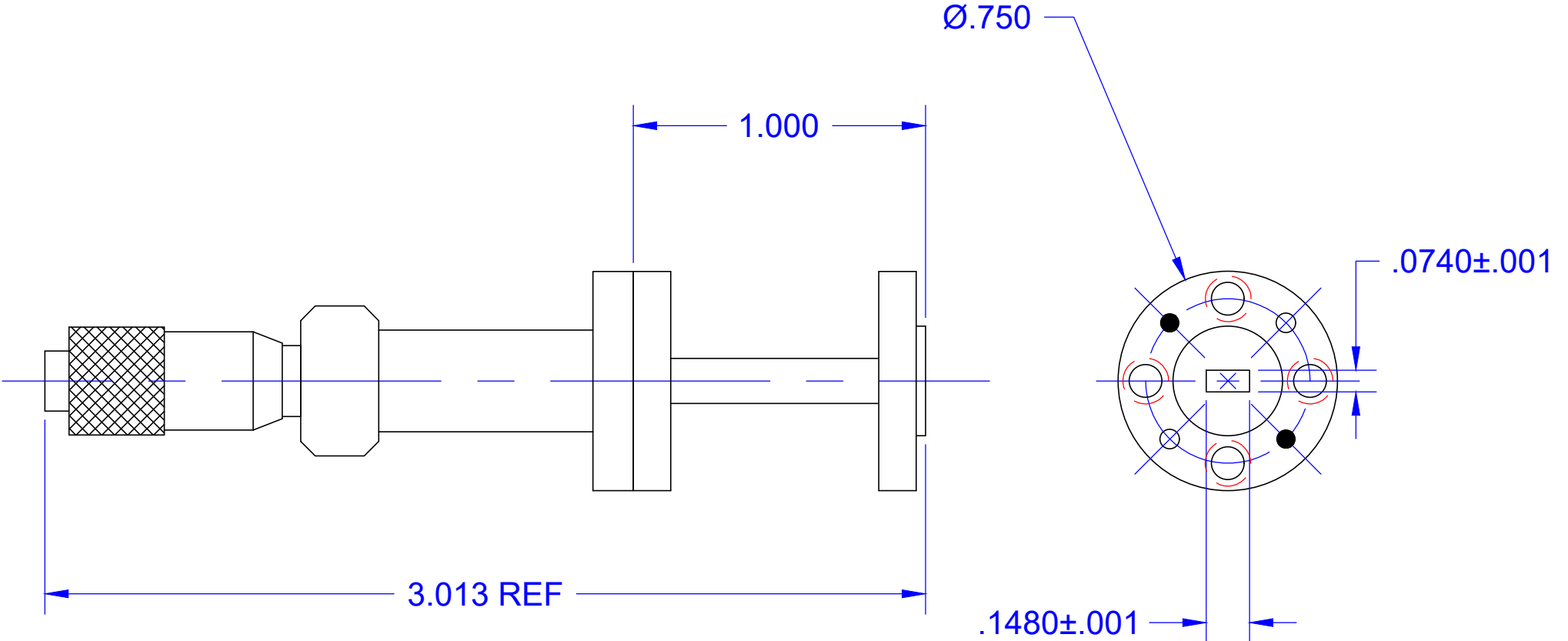


REVISIONS			
REV	DESCRIPTION	DATE	APPROVED
--	--	--	--



UNLESS OTHERWISE SPECIFIED ALL SURFACES 32/		 THIRD ANGLE PROJECTION		Mi-Wave Millimeter Products Inc.	
DIMENSIONS ARE IN INCHES TOLERANCES ARE: DECIMALS: .1234 +/- .0005 .123 +/- .005 .12 +/- .01 ANGLES: +/- .5 DEGREES		DRAFTING: MRN		TITLE	
ALL THREADS TO BE 2A OR 2B		APPROVED: M.S.		590V/385 OUTLINE	
REF DWG# --		DATE: 5/18/2010			
ORIGINAL DWG# 20149e		SHEET NO. 1	OF 1	SIZE A	DWG NO 27120