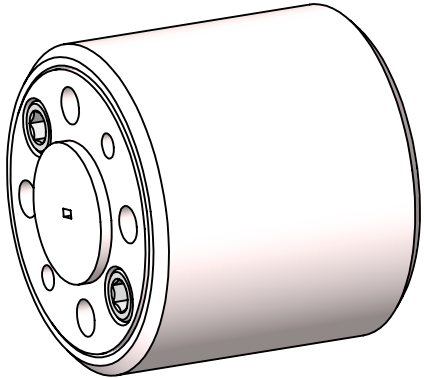


REVISIONS			
REV	DESCRIPTION	DATE	APPROVED
-	-	-	-

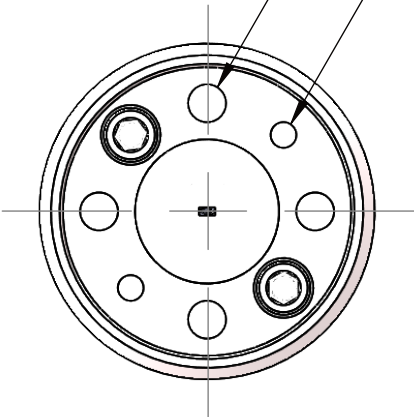
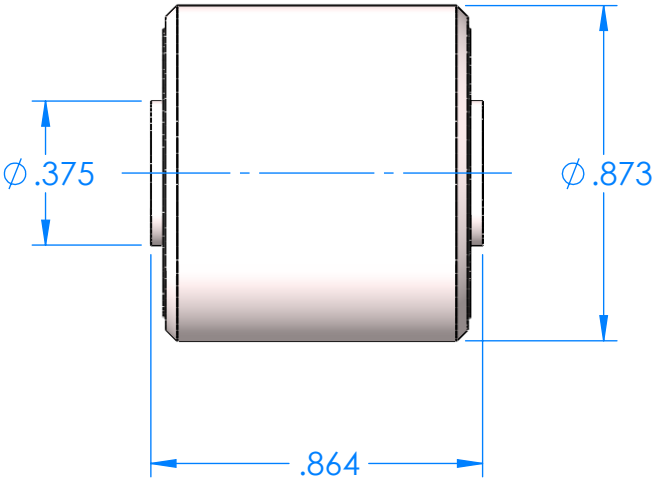
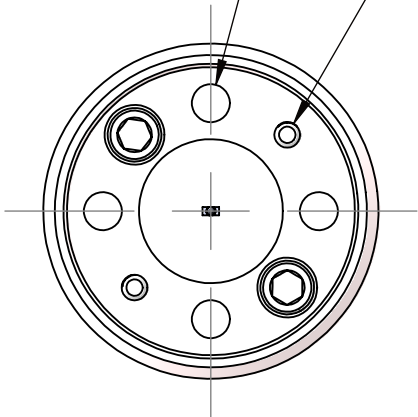


4X ϕ .099 THRU ALL
4-40 UNC THRU ALL

2X ϕ .067 THRU ALL

2X ϕ .067 THRU ALL

4X ϕ .099 THRU ALL
4-40 UNC THRU ALL



**ALL DIMENSIONS
ARE REFERENCE ONLY**

DECIMALS: XXXX \pm .0005 XXX \pm .005 XX \pm .01	NAME	DATE
ANGLES: \pm .5 DEGRESS	DRAWN JV	6-8-23
THIRD ANGLE PROJECTION	CHECKED MS	6-8-23
	ENG LS	6-8-23
	MATL:	
	1/2 HARD BRASS	

TITLE:	Millimeter Wave Products Inc.	
SIZE	DWG. NO.	REV
A	116H_COMPACT FULL BAND ISOLATOR_OUTLINE_27172	-
SCALE: 2:1	WEIGHT:	SHEET 1 OF 1