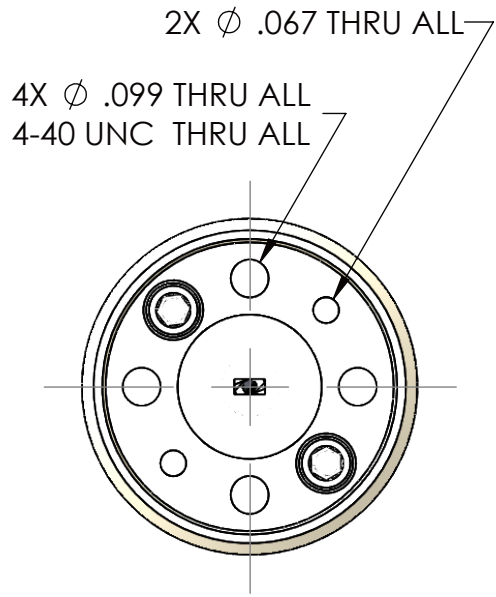
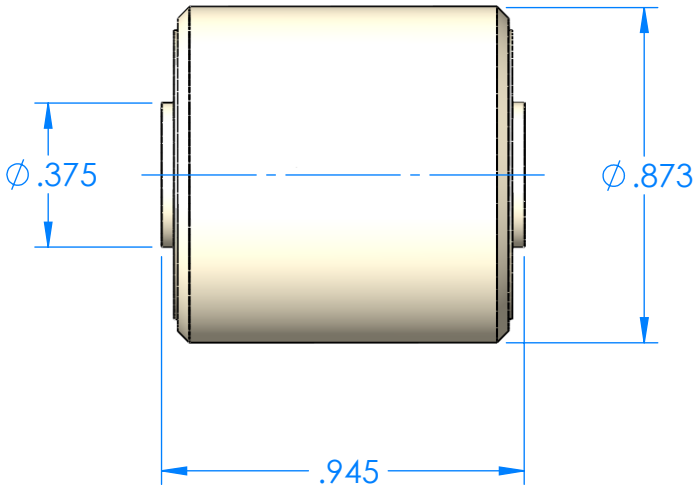
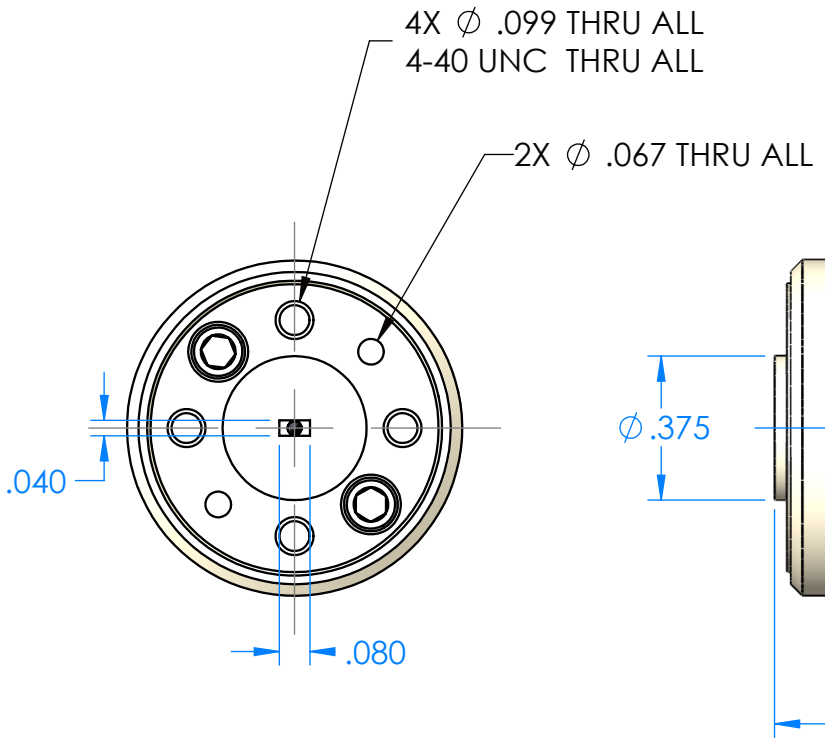
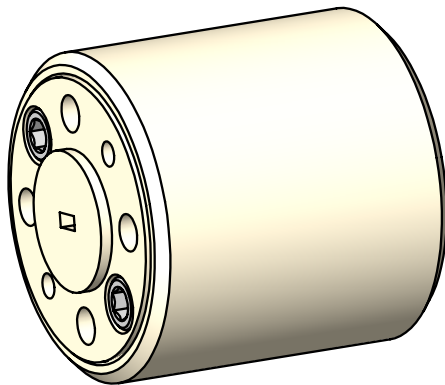


| REVISIONS | | | |
|-----------|-------------|------|----------|
| REV | DESCRIPTION | DATE | APPROVED |
| - | - | - | - |



**ALL DIMENSIONS
ARE REFERENCE ONLY**

| | | | | | | | | | | | | | | | | | | | | | | |
|--|--------------------------|------------------------|--------|---|--------|----|------|----|------|--------|---------|----|------|--------|--|--|-----|----|------|--------|--|--|
| DECIMALS: XXXX \pm .0005 XXX \pm .005 XX \pm .01 | ANGLES: \pm .5 DEGRESS | THIRD ANGLE PROJECTION | | <table border="1"> <tr> <td>DRAWN</td> <td>JV</td> <td>NAME</td> <td>JV</td> <td>DATE</td> <td>6-5-23</td> </tr> <tr> <td>CHECKED</td> <td>MS</td> <td>DATE</td> <td>6-5-23</td> <td></td> <td></td> </tr> <tr> <td>ENG</td> <td>LS</td> <td>DATE</td> <td>6-5-23</td> <td></td> <td></td> </tr> </table> | DRAWN | JV | NAME | JV | DATE | 6-5-23 | CHECKED | MS | DATE | 6-5-23 | | | ENG | LS | DATE | 6-5-23 | | |
| DRAWN | JV | NAME | JV | DATE | 6-5-23 | | | | | | | | | | | | | | | | | |
| CHECKED | MS | DATE | 6-5-23 | | | | | | | | | | | | | | | | | | | |
| ENG | LS | DATE | 6-5-23 | | | | | | | | | | | | | | | | | | | |
| MATERIAL: 1/2 HARD BRASS | | | | TITLE: Millimeter Wave Products Inc. | | | | | | | | | | | | | | | | | | |

| | | |
|----------------|--|---------------|
| SIZE: A | DWG. NO.: 116F_COMPACT FULL BAND ISOLATOR_OUTLINE_27150 | REV: - |
| SCALE: 2:1 | WEIGHT: | SHEET 1 OF 1 |