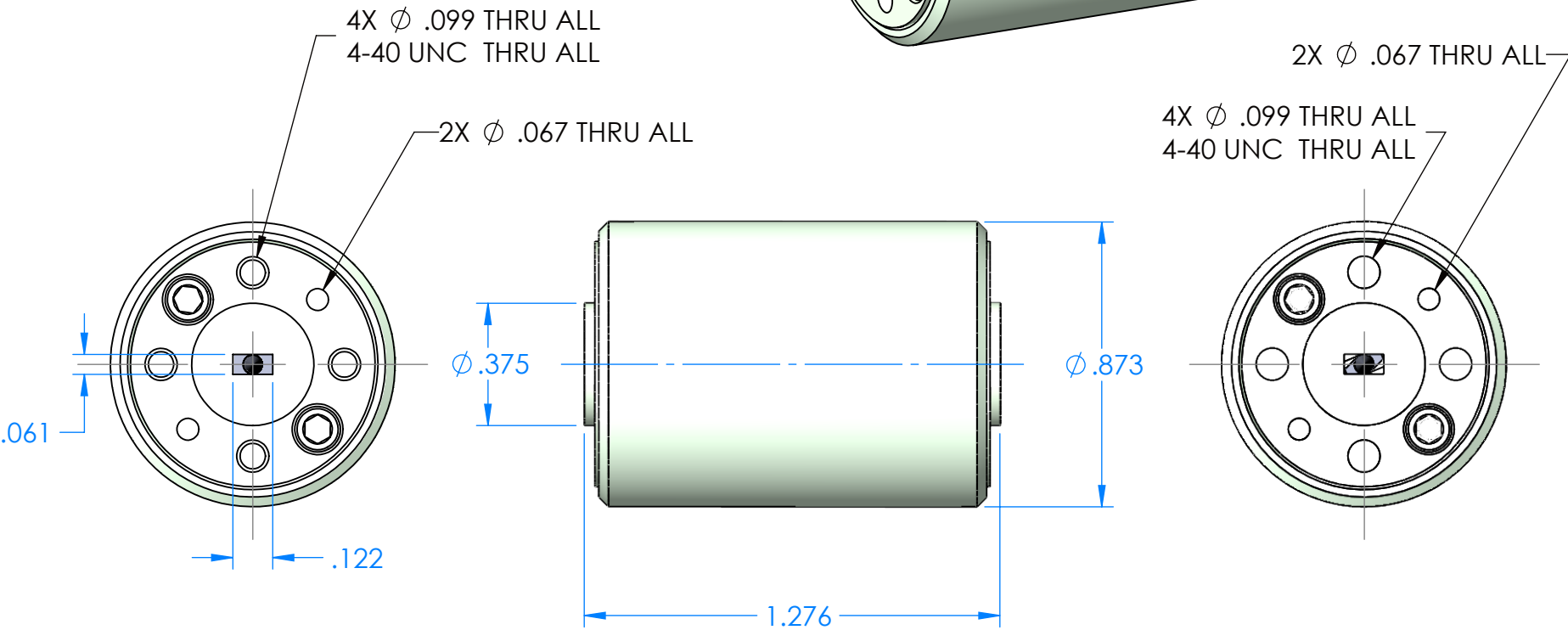
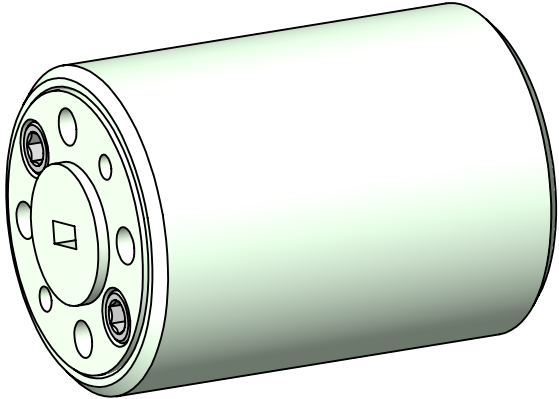


REVISIONS			
REV	DESCRIPTION	DATE	APPROVED
-	-	-	-



**ALL DIMENSIONS  
ARE REFERENCE ONLY**

DECIMALS: XXXX $\pm$ .0005 XXX $\pm$ .005 XX $\pm$ .01	NAME	DATE
ANGLES: $\pm$ .5 DEGRESS	DRAWN	JV 5-18-23
THIRD ANGLE PROJECTION	CHECKED	MS 5-18-23
	ENG	LS 5-18-23
	MATL:	<b>1/2 HARD BRASS</b>

TITLE: <b>Millimeter Wave Products Inc.</b>		REV
SIZE <b>A</b>	DWG. NO. <b>116E_COMPACT FULL BAND ISOLATOR_OUTLINE_27133</b>	-
SCALE: 2:1	WEIGHT:	SHEET 1 OF 1