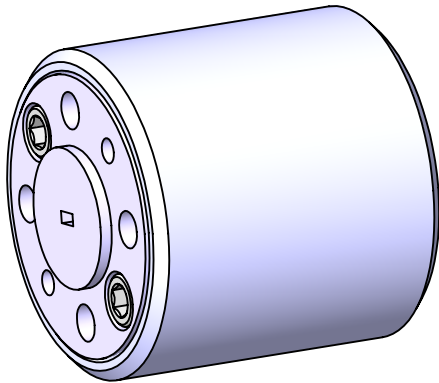


REVISIONS			
REV	DESCRIPTION	DATE	APPROVED
-	-	-	-

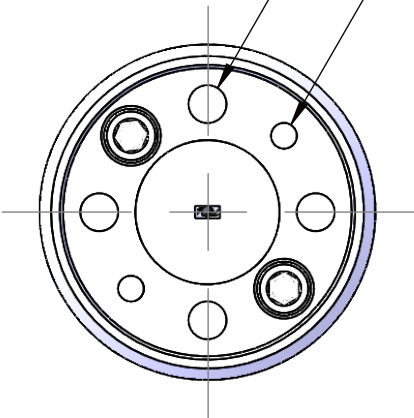
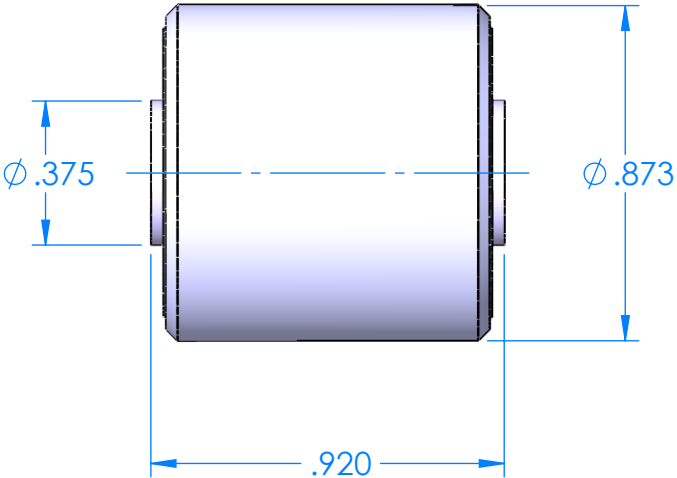
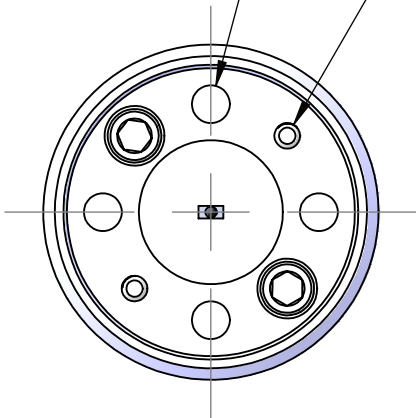


4X  $\phi$  .099 THRU ALL  
4-40 UNC THRU ALL

2X  $\phi$  .067 THRU ALL

2X  $\phi$  .067 THRU ALL

4X  $\phi$  .099 THRU ALL  
4-40 UNC THRU ALL



**ALL DIMENSIONS  
ARE REFERENCE ONLY**

DECIMALS: XXXX $\pm$ .0005 XXX $\pm$ .005 XX $\pm$ .01	NAME	DATE
ANGLES: $\pm$ .5 DEGRESS	DRAWN JV	11-16-20
THIRD ANGLE PROJECTION	CHECKED MS	11-16-20
	ENG LS	11-16-20
	MATL:	
	<b>1/2 HARD BRASS</b>	

TITLE:	<b>Millimeter Wave Products Inc.</b>	
SIZE	DWG. NO.	REV
<b>A</b>	116D_COMPACT FULL BAND ISOLATOR_OUTLINE_27159	-
SCALE: 2:1	WEIGHT:	SHEET 1 OF 1