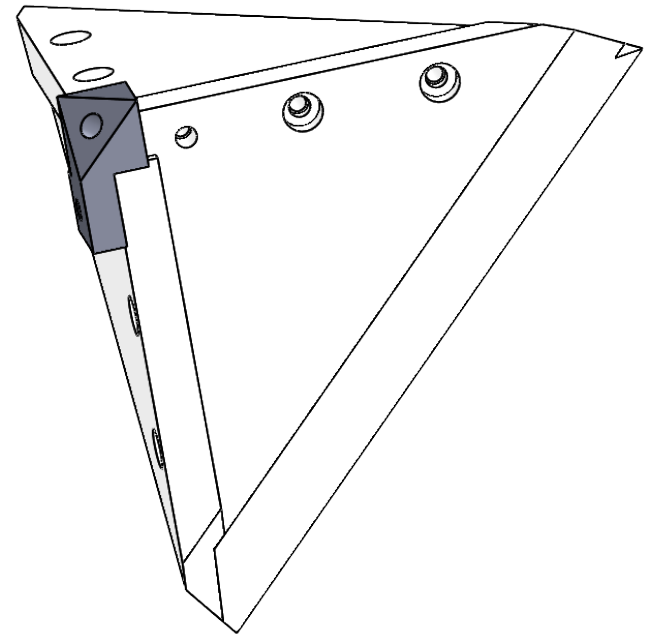
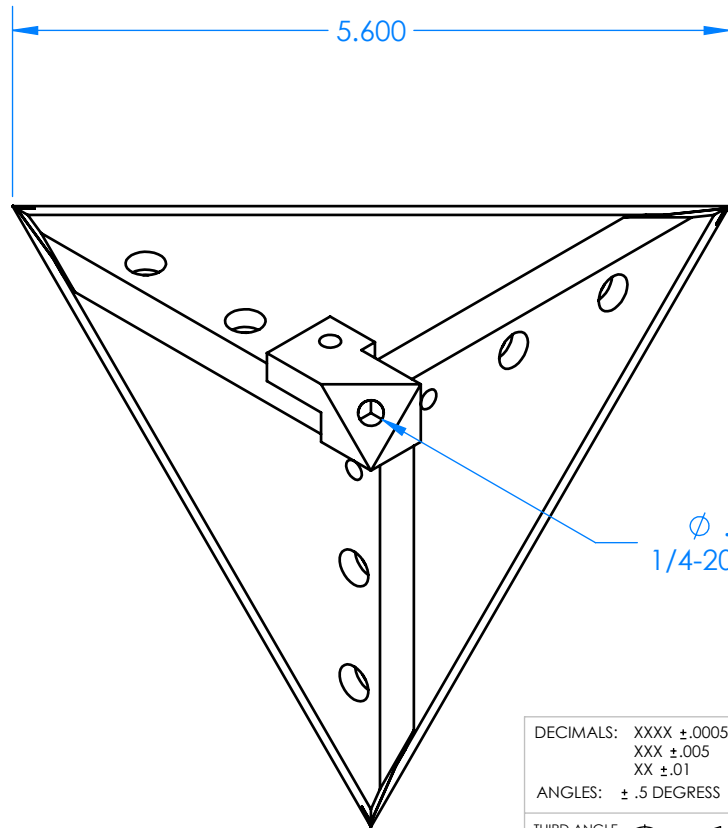
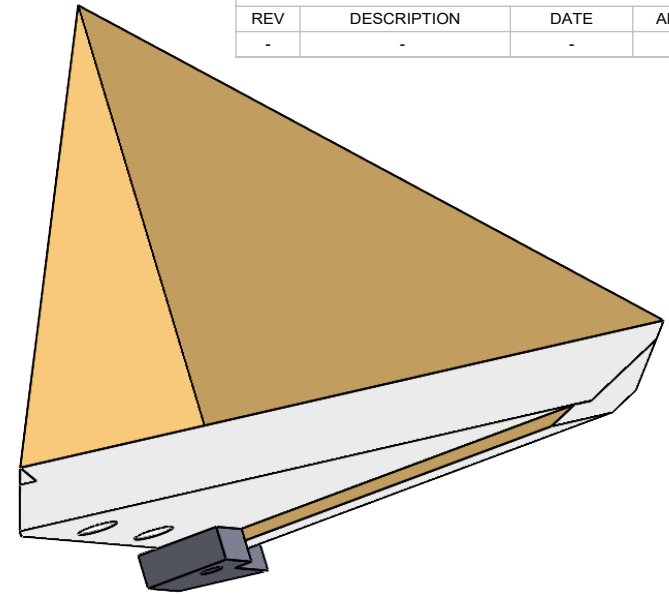
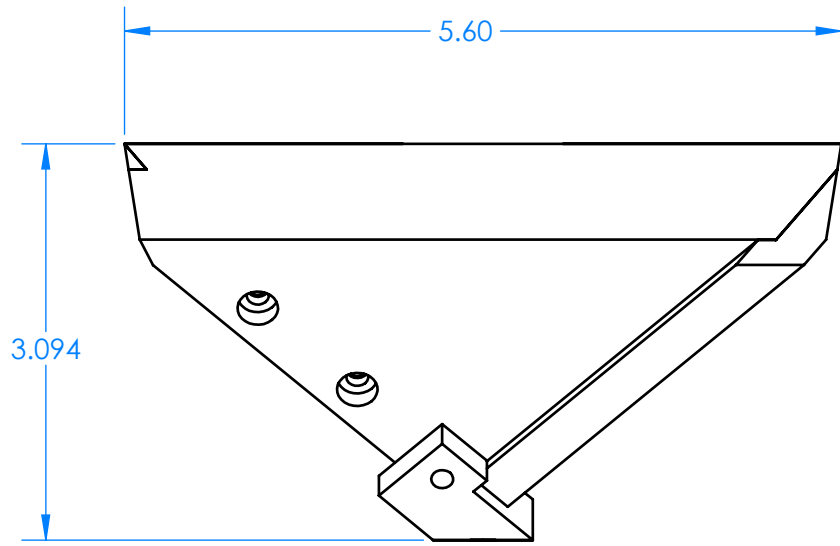
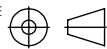


REVISIONS			
REV	DESCRIPTION	DATE	APPROVED
-	-	-	-



DECIMALS: XXXX ±.0005 XXX ±.005 XX ±.01	NAME	DATE
ANGLES: ± .5 DEGREE	DRAWN	CC 3-17-23
THIRD ANGLE PROJECTION 	CHECKED	MS 3-17-23
	ENG	LS 3-17-23
	MATL:	
	<b>6061 T6 ALUMINUM</b>	

TITLE:	<b>Millimeter Wave Products Inc.</b>		
SIZE	DWG. NO.	REV	
<b>A</b>	Trihedral Reflector_5.6_OUTLINE_27016	-	
SCALE: 2:3	WEIGHT:	SHEET 1 OF 1	