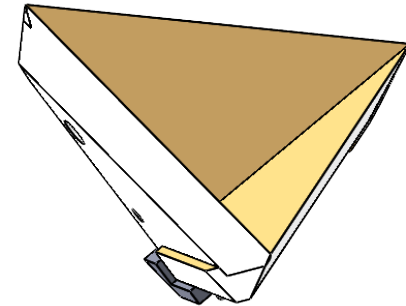
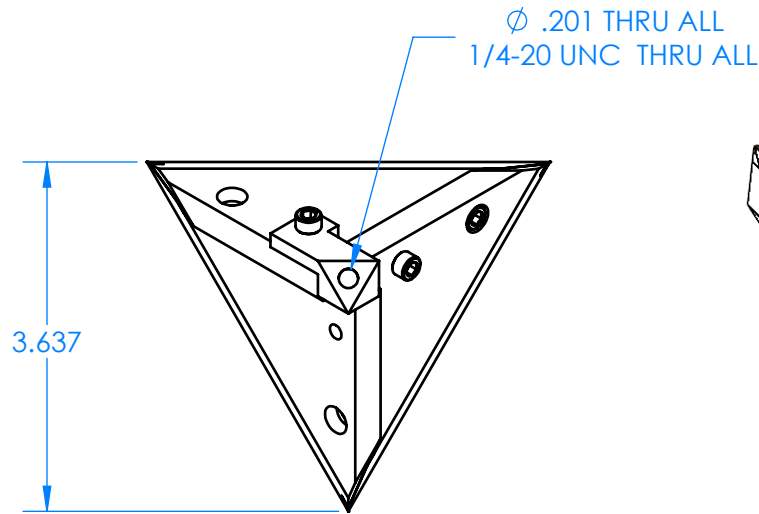
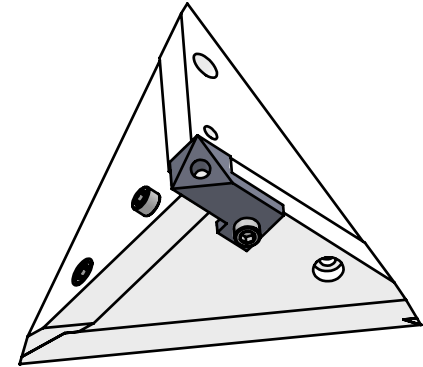
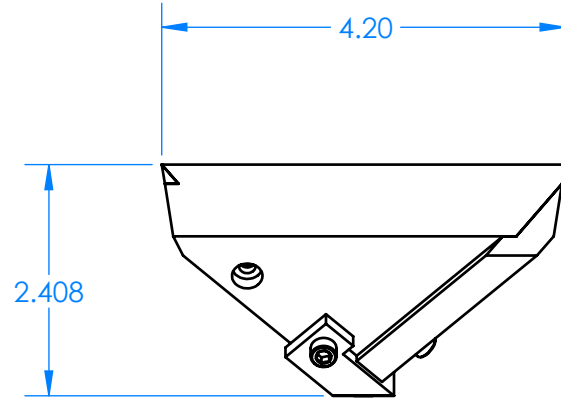
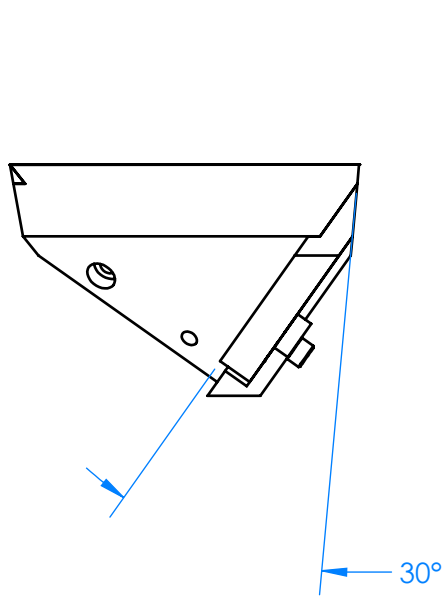


REVISIONS			
REV	DESCRIPTION	DATE	APPROVED
--	--	--	--



DECIMALS: XXXX ±.0005 XXX ±.005 XX ±.01	DRAWN	NAME	DATE
ANGLES: ± .5 DEGREE	CHECKED	CC	7-13-22
THIRD ANGLE PROJECTION	ENG	LS	7-13-22
	MATERIAL: <b>6061 T6 ALUMINUM</b>		

TITLE: <b>Mi-Wave Millimeter Products Inc.</b>		REV
SIZE <b>A</b>	DWG. NO. <b>TRIHEDRAL REFLECTOR 770-4.2_OUTLINE_26633</b>	REV
SCALE: 1:4	WEIGHT:	SHEET 1 OF 1