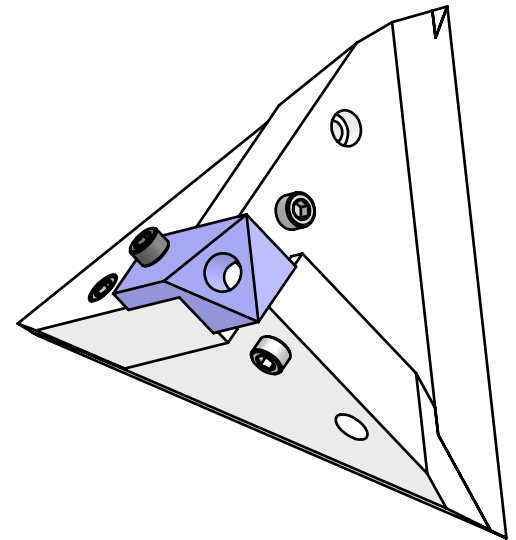
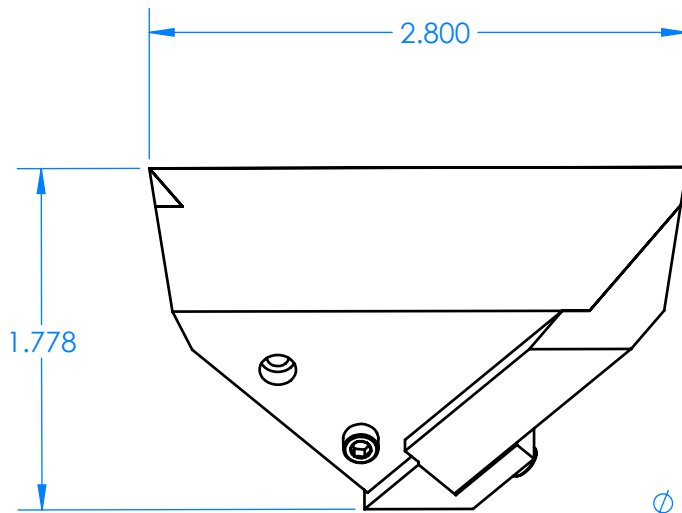
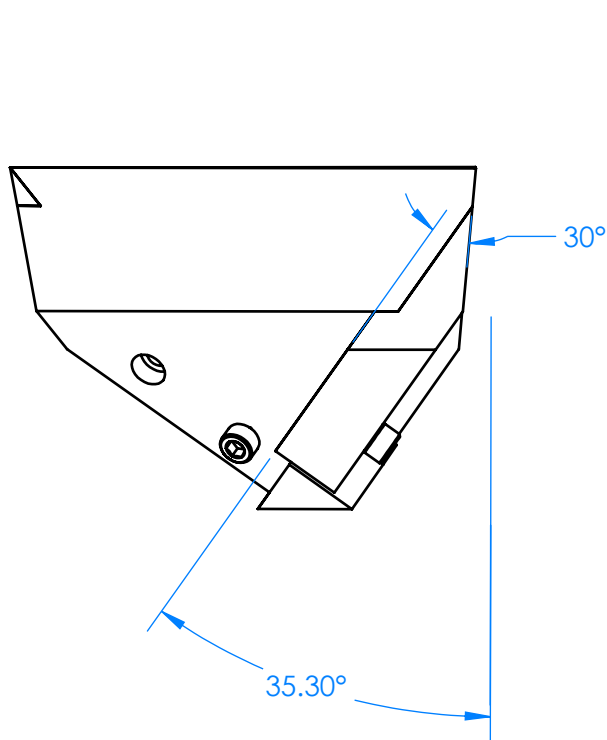
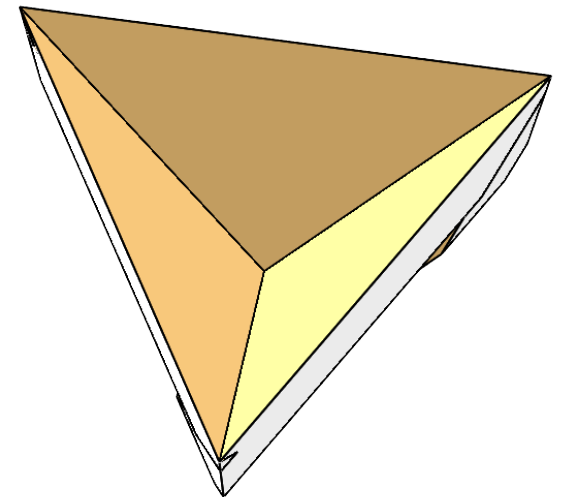
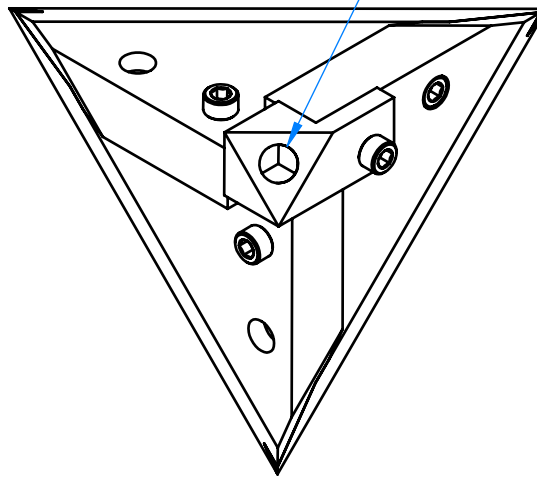


REVISIONS			
REV	DESCRIPTION	DATE	APPROVED
--	--	--	--



Ø .201 THRU ALL
1/4-20 UNC THRU ALL



DECIMALS: XXXX ±.0005 XXX ±.005 XX ±.01	DRAWN CC	NAME CC	DATE 7-15-22
ANGLES: ± .5 DEGREE	CHECKED MS	ENG LS	DATE 7-15-22
THIRD ANGLE PROJECTION	MATERIAL: 6061 T6 ALUMINUM		

TITLE: Mi-Wave Millimeter Products Inc.	SIZE: A	DWG. NO. TRIHEDRAL REFLECTOR 770-2.8_OUTLINE_26636	REV
SCALE: 1:3	WEIGHT:	SHEET 1 OF 1	