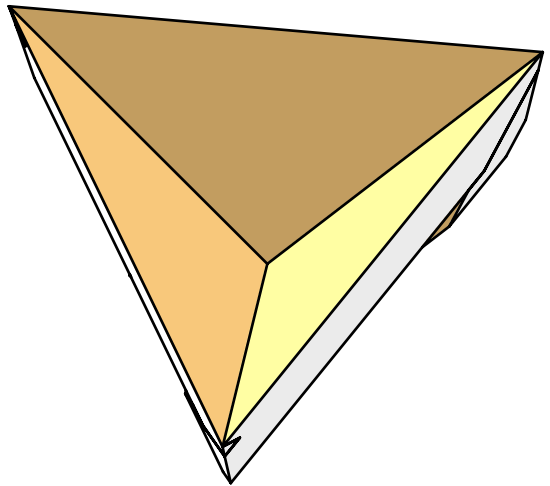
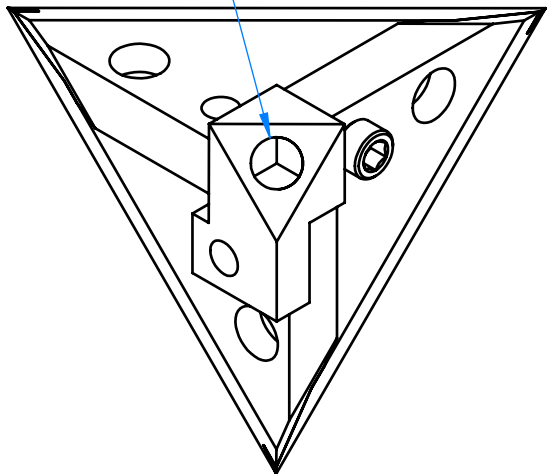
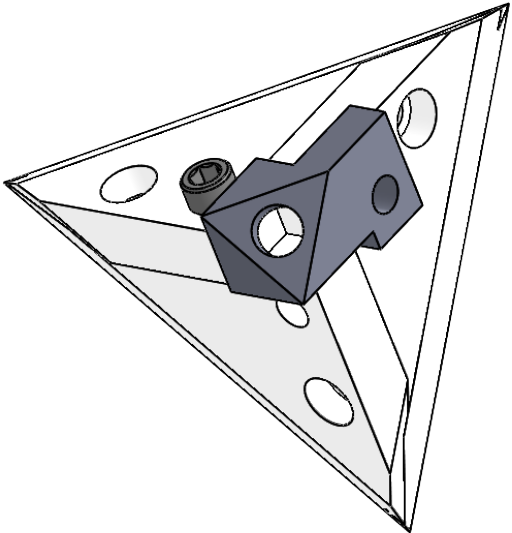
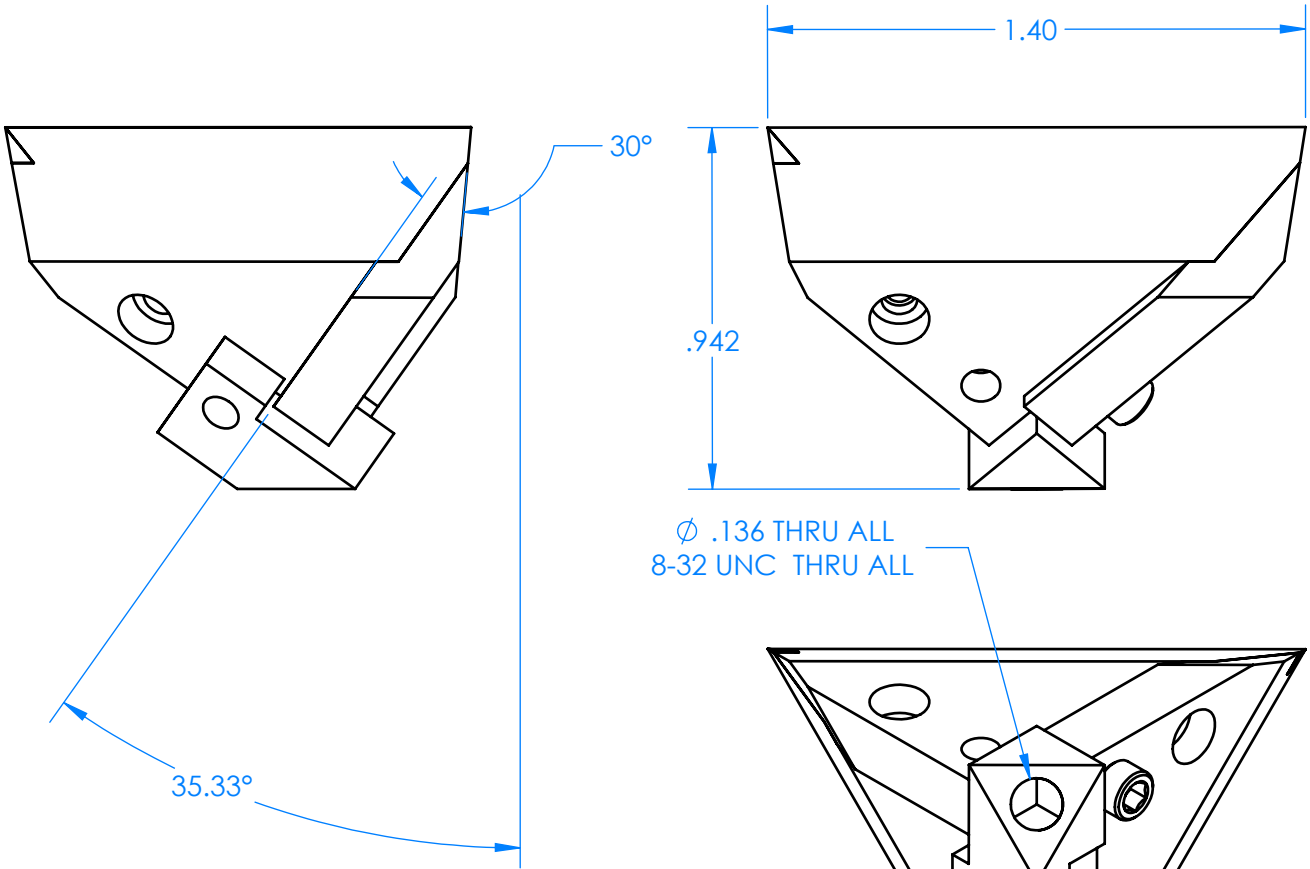


REVISIONS			
REV	DESCRIPTION	DATE	APPROVED
--	--	--	--



DECIMALS: XXXX ±.0005
 XXX ±.005
 XX ±.01
 ANGLES: ± .5 DEGREE

THIRD ANGLE PROJECTION

	NAME	DATE
DRAWN	CC	11-19-21
CHECKED	MS	11-19-21
ENG	LS	11-19-21

MATL:
6061 T6 ALUMINUM

TITLE: **Mi-Wave Millimeter Products Inc.**
 SIZE DWG. NO. **A TRIHEDRAL REFLECTOR 770-1.4_ASSEMBLY_26320** REV
 SCALE: 2:1 WEIGHT: SHEET 1 OF 1