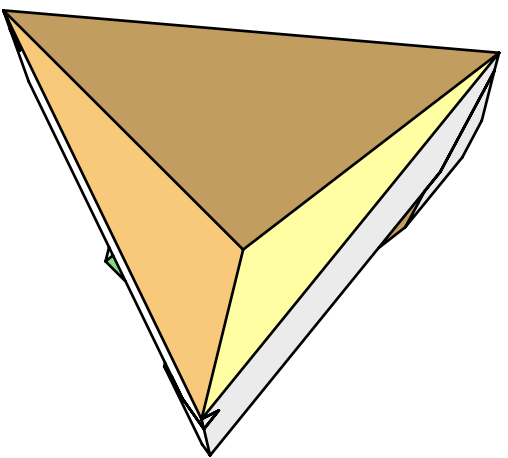
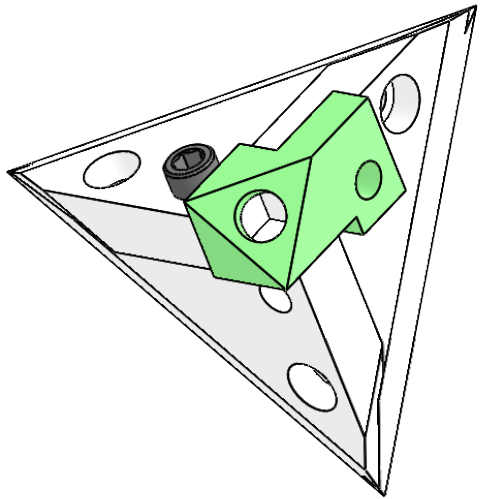
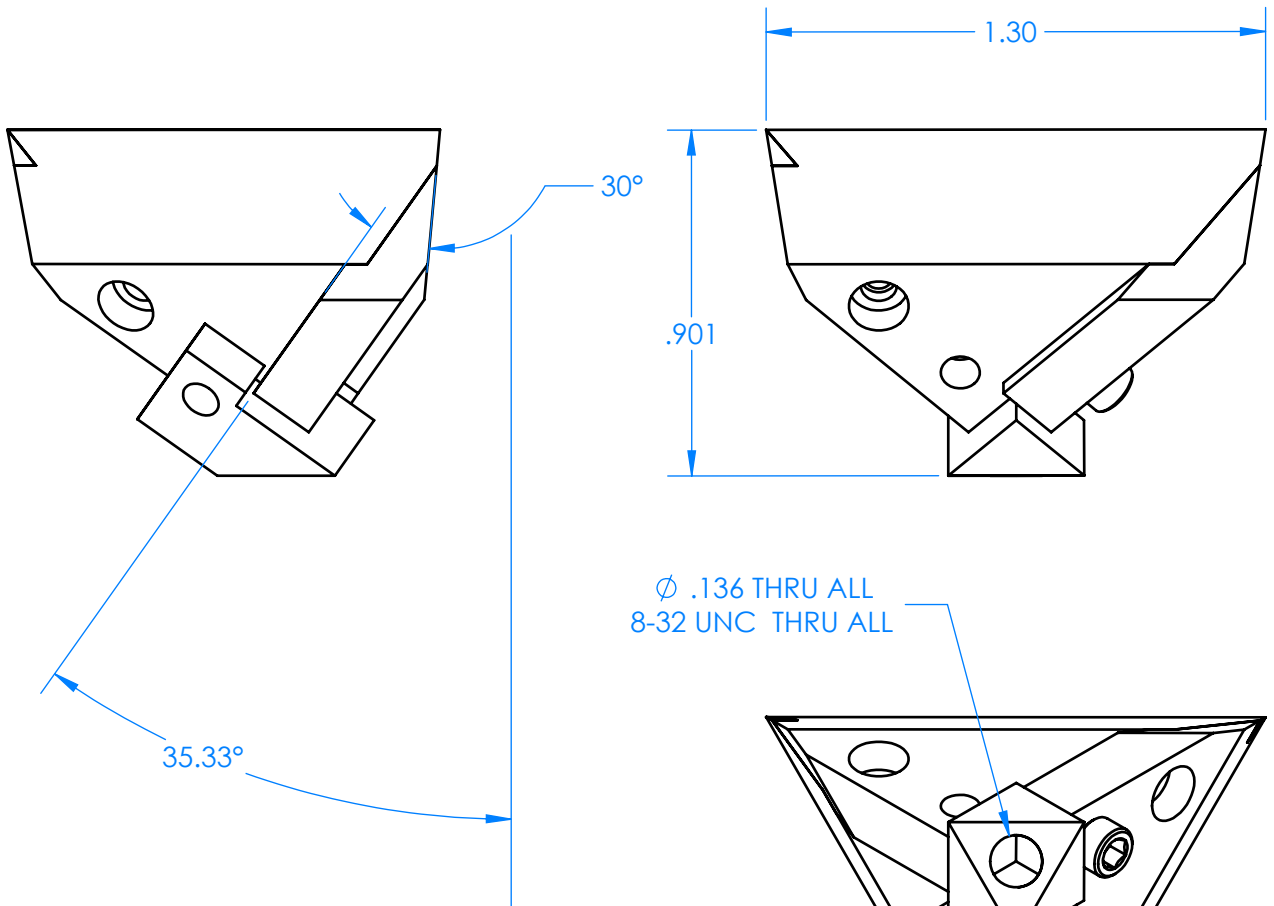


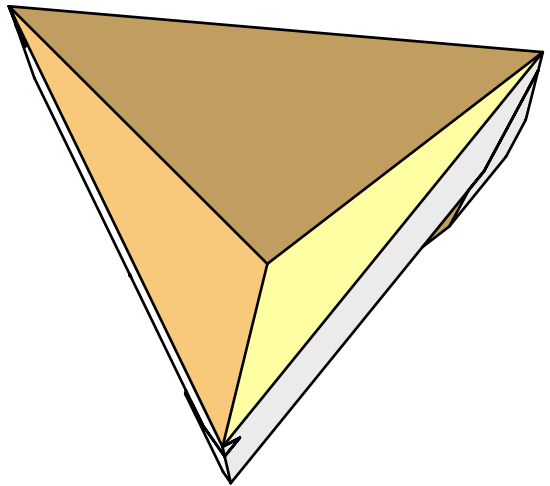
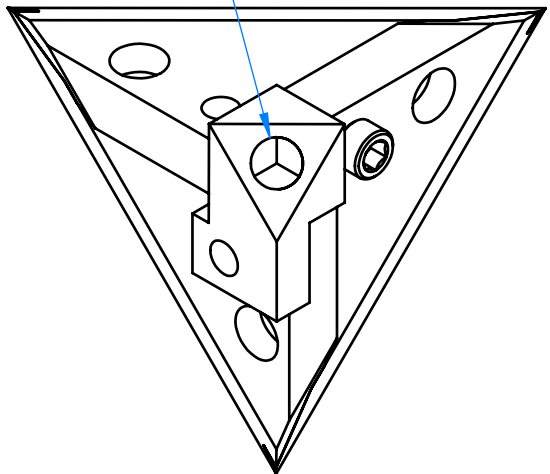
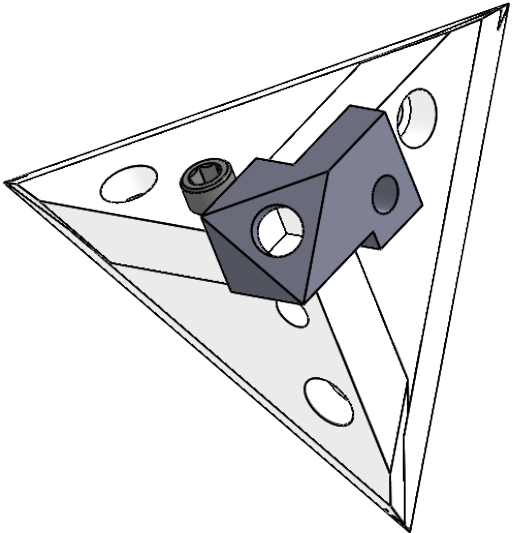
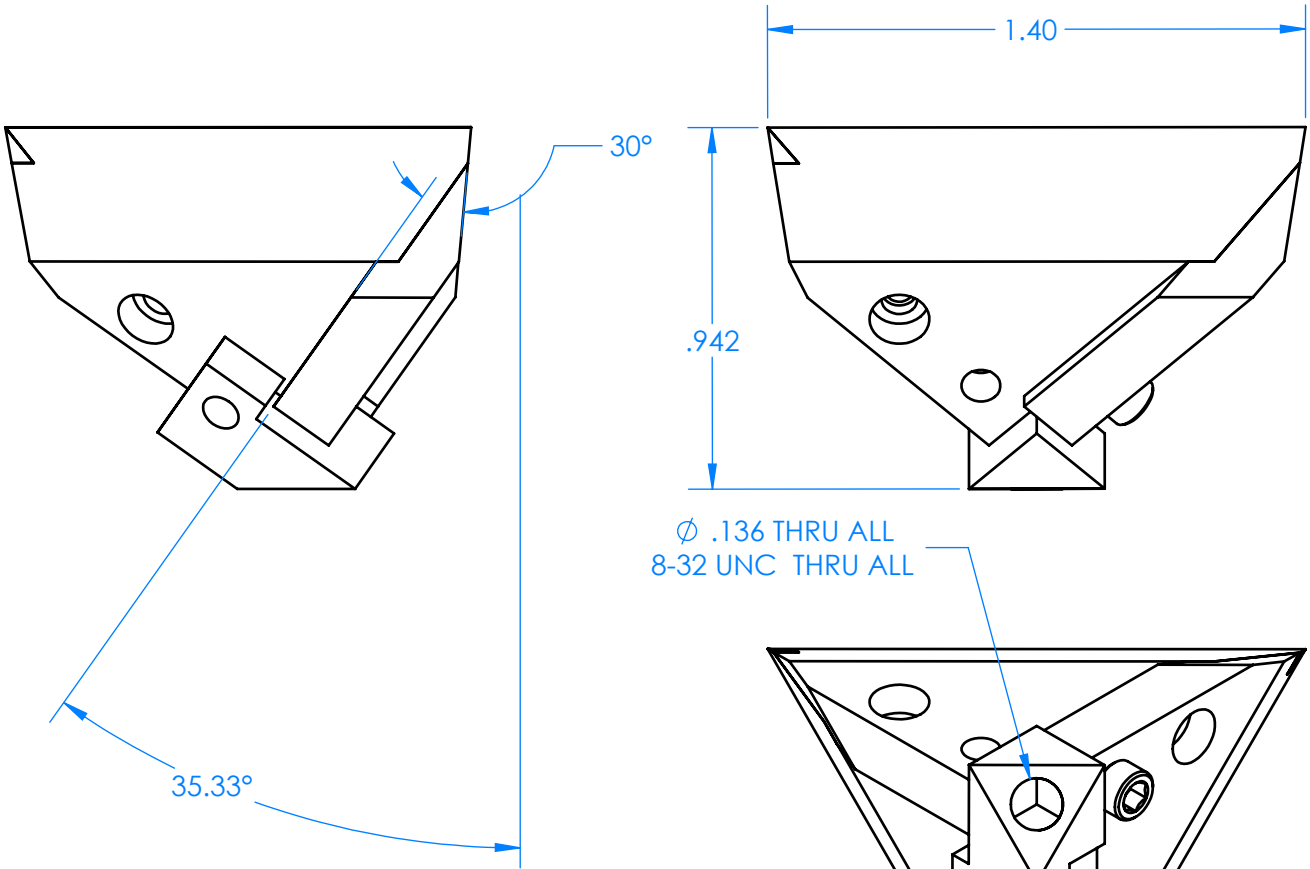
REVISIONS			
REV	DESCRIPTION	DATE	APPROVED
--	--	--	--



DECIMALS: XXXX ±.0005 XXX ±.005 XX ±.01	NAME	DATE
ANGLES: ± .5 DEGREE	DRAWN	CC 10-14-21
THIRD ANGLE PROJECTION	CHECKED	MS 10-14-21
	ENG	LS 10-14-21
	MATL:	
	<b>6061 T6 ALUMINUM</b>	

TITLE:	<b>Mi-Wave Millimeter Products Inc.</b>		REV
SIZE	DWG. NO.		
<b>A</b>	<b>TRIHEDRAL REFLECTOR 770-1.3_ASSEMBLY_26218</b>		
SCALE: 2:1	WEIGHT:		SHEET 1 OF 1

REVISIONS			
REV	DESCRIPTION	DATE	APPROVED
--	--	--	--



DECIMALS: XXXX ±.0005  
XXX ±.005  
XX ±.01  
ANGLES: ± .5 DEGREE

THIRD ANGLE PROJECTION

	NAME	DATE
DRAWN	CC	11-19-21
CHECKED	MS	11-19-21
ENG	LS	11-19-21

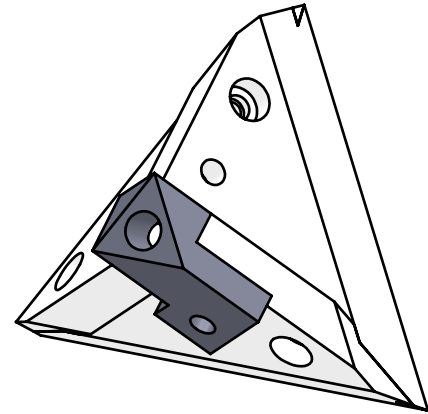
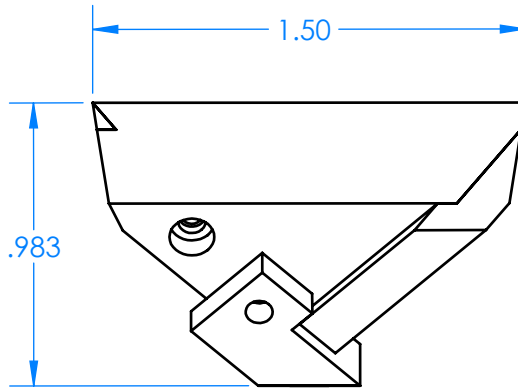
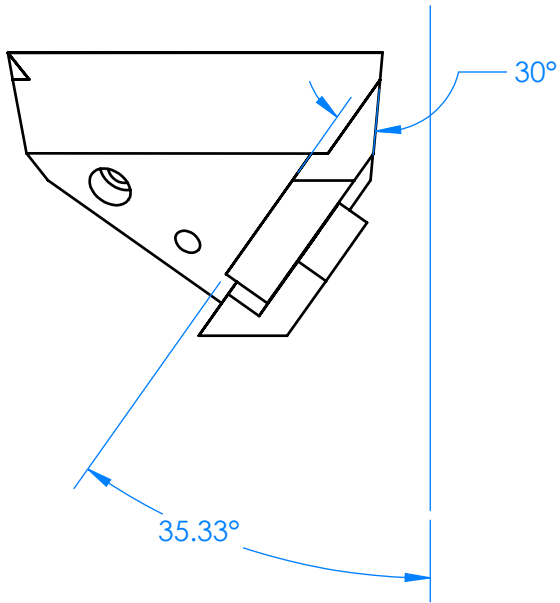
MATL:  
**6061 T6 ALUMINUM**

TITLE: **Mi-Wave Millimeter Products Inc.**

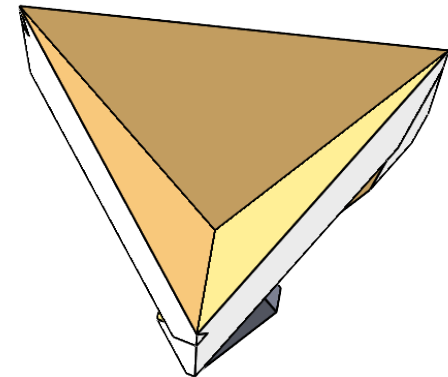
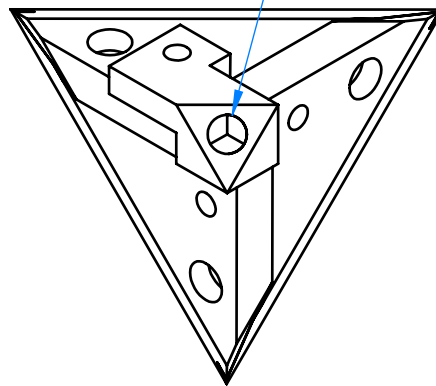
SIZE DWG. NO. **A** **TRIHEDRAL REFLECTOR 770-1.4\_ASSEMBLY\_26320** REV

SCALE: 2:1 WEIGHT: SHEET 1 OF 1

REVISIONS			
REV	DESCRIPTION	DATE	APPROVED
--	--	--	--



Ø .136 THRU ALL  
8-32 UNC THRU ALL



DECIMALS: XXXX ±.0005  
XXX ±.005  
XX ±.01  
ANGLES: ± .5 DEGREE

THIRD ANGLE PROJECTION

	NAME	DATE
DRAWN	CC	11-18-21
CHECKED	MS	11-18-21
ENG	LS	11-18-21

MATL:  
**6061 T6 ALUMINUM**

TITLE: **Mi-Wave Millimeter Products Inc.**

SIZE DWG. NO. **A TRIHEDRAL REFLECTOR 770-1.5\_ASSEMBLY\_25807**

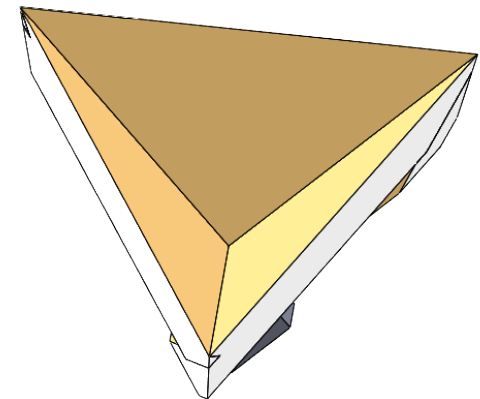
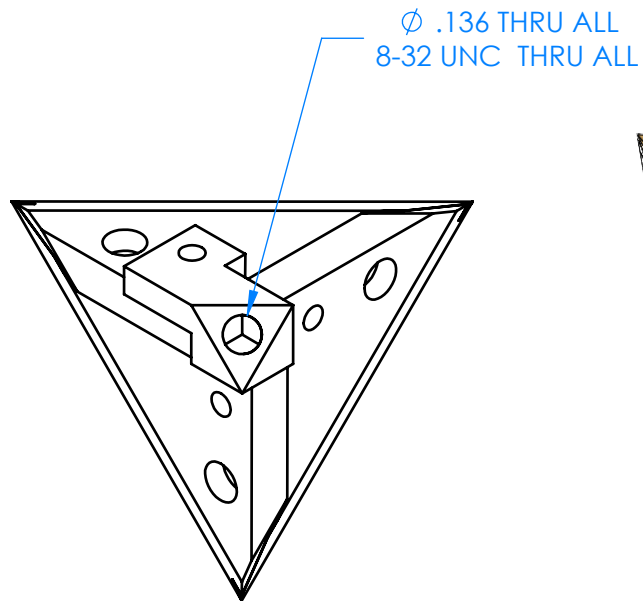
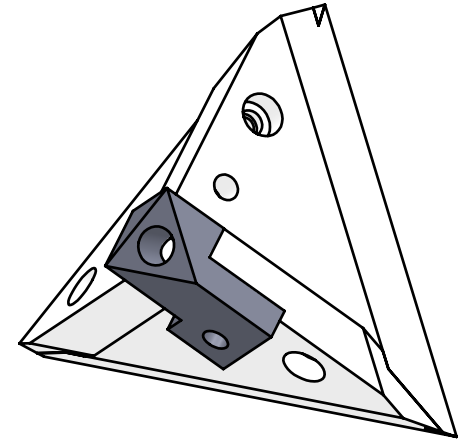
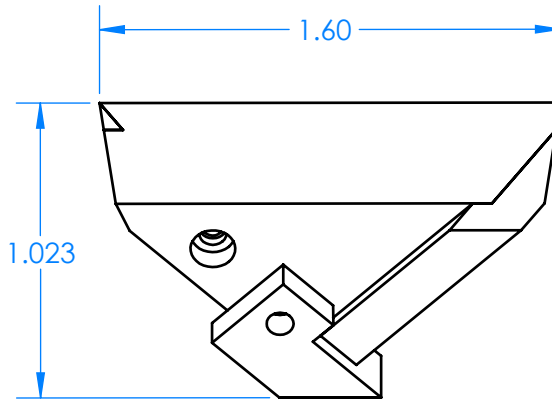
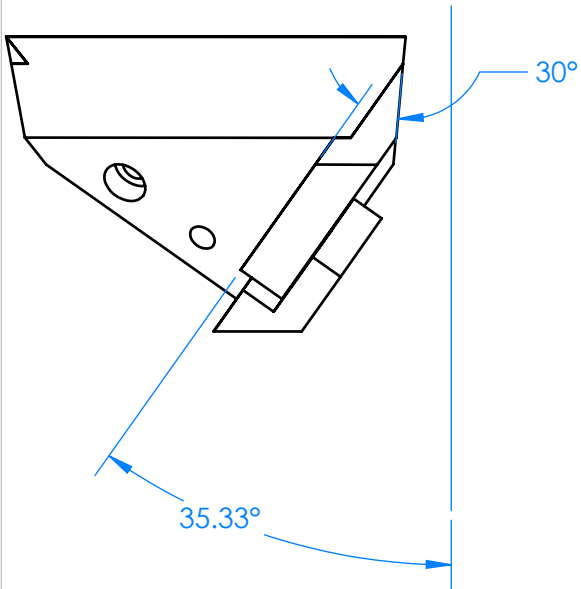
SCALE: 3:2

WEIGHT:

REV

SHEET 1 OF 1

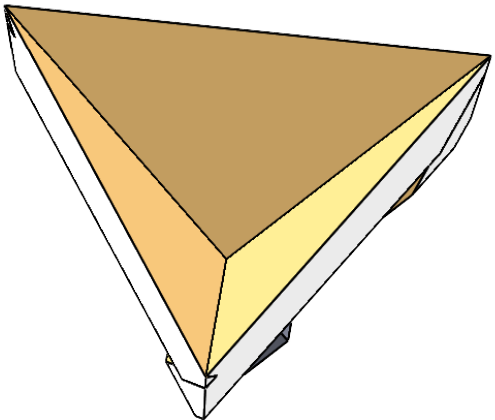
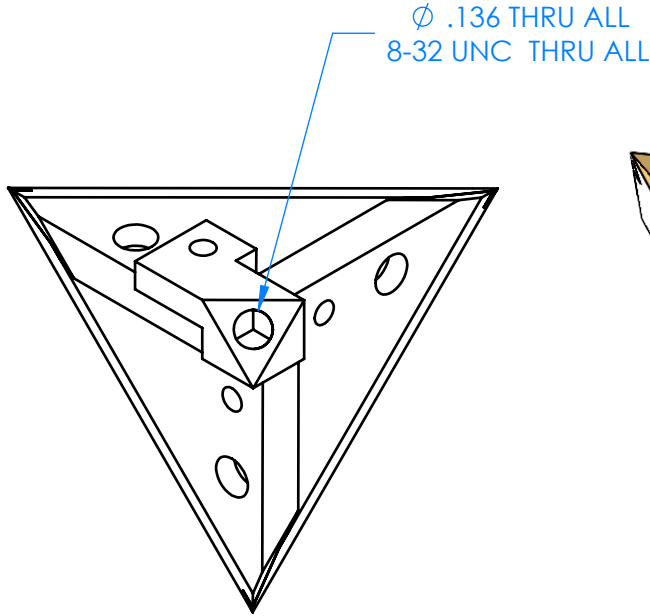
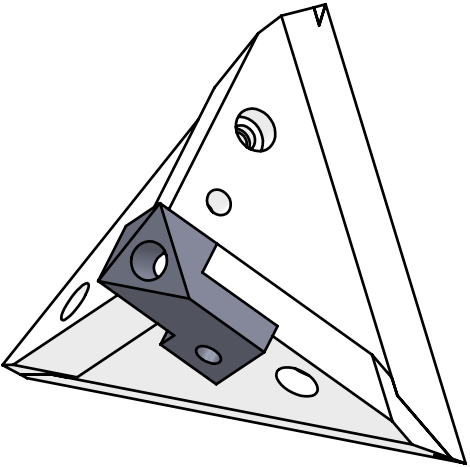
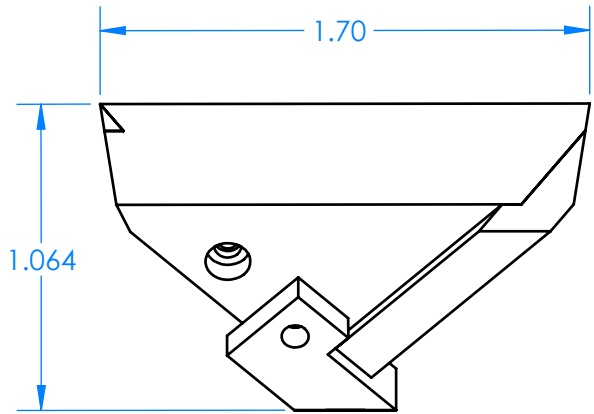
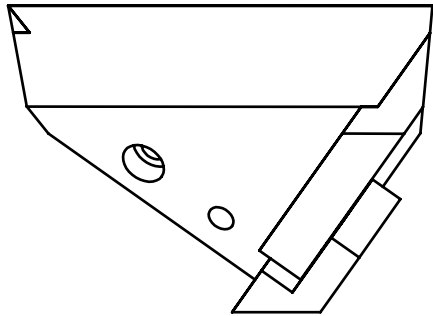
REVISIONS			
REV	DESCRIPTION	DATE	APPROVED
--	--	--	--



DECIMALS: XXXX ±.0005 XXX ±.005 XX ±.01	NAME	DATE
ANGLES: ± .5 DEGREE	DRAWN CC	1-18-21
THIRD ANGLE PROJECTION	CHECKED MS	1-18-21
	ENG LS	1-18-21
	MATL:	
	<b>6061 T6 ALUMINUM</b>	

TITLE:	<b>Mi-Wave Millimeter Products Inc.</b>		REV
SIZE	DWG. NO.		
<b>A</b>	<b>TRIHEDRAL REFLECTOR 770-1.6_ASSEMBLY_26410</b>		
SCALE: 3:2	WEIGHT:		SHEET 1 OF 1

REVISIONS			
REV	DESCRIPTION	DATE	APPROVED
--	--	--	--



DECIMALS: XXXX ±.0005  
 XXX ±.005  
 XX ±.01  
 ANGLES: ± .5 DEGRESS

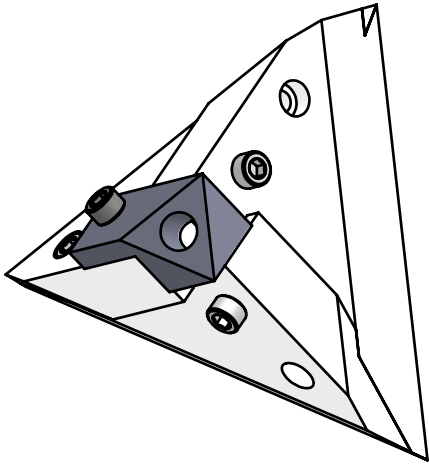
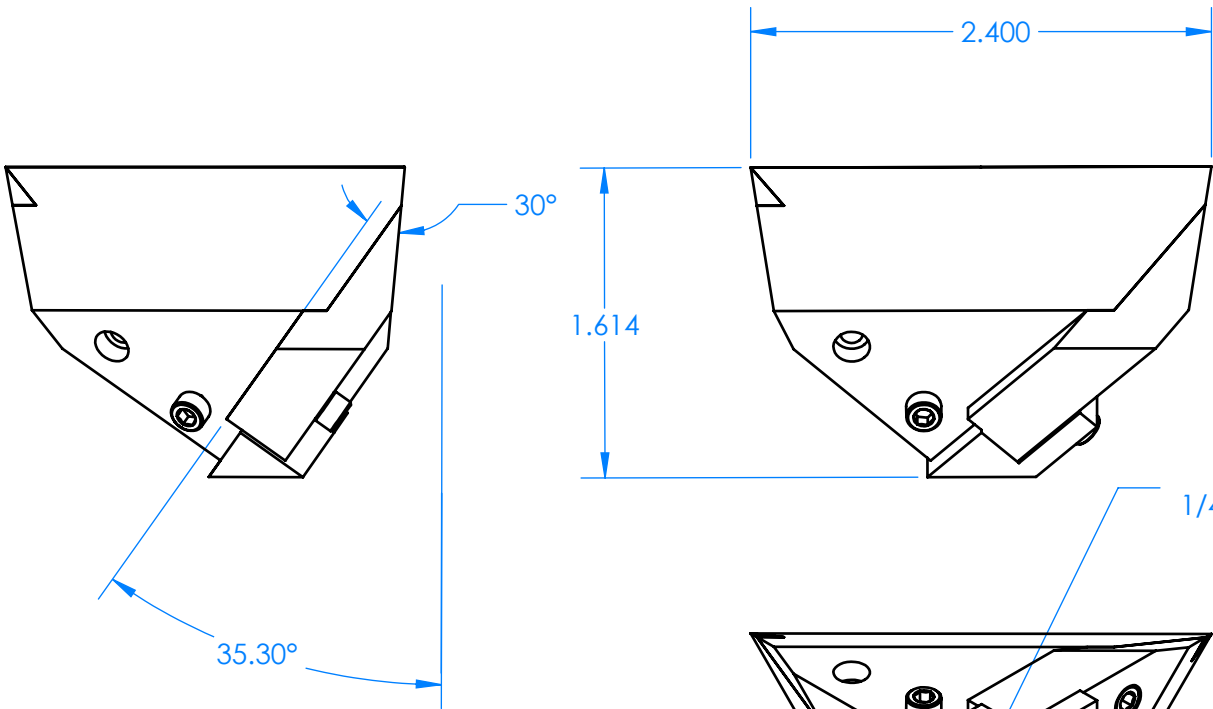


	NAME	DATE
DRAWN	CC	6-8-22
CHECKED	MS	6-8-22
ENG	LS	6-8-22

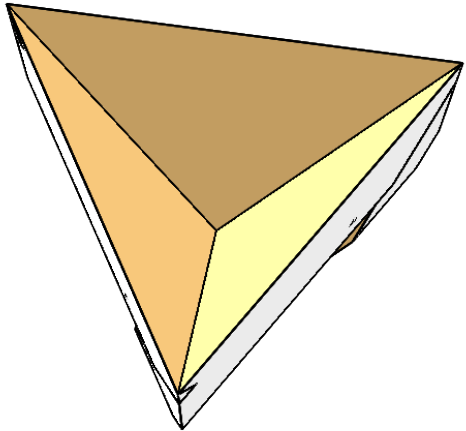
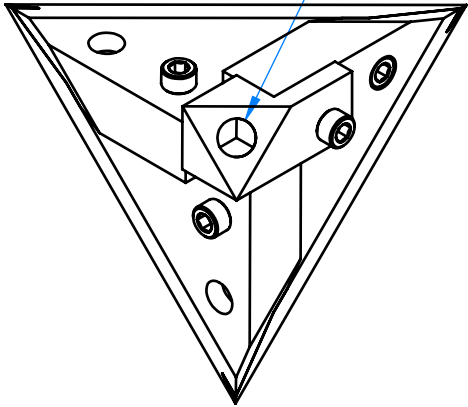
MATL:  
**6061 T6 ALUMINUM**

TITLE: <b>Mi-Wave Millimeter Products Inc.</b>		REV
SIZE <b>A</b>	DWG. NO. <b>TRIHEDRAL REFLECTOR 770-1.7_OUTLINE_26602</b>	REV
SCALE: 3:2	WEIGHT:	SHEET 1 OF 1

REVISIONS			
REV	DESCRIPTION	DATE	APPROVED
--	--	--	--



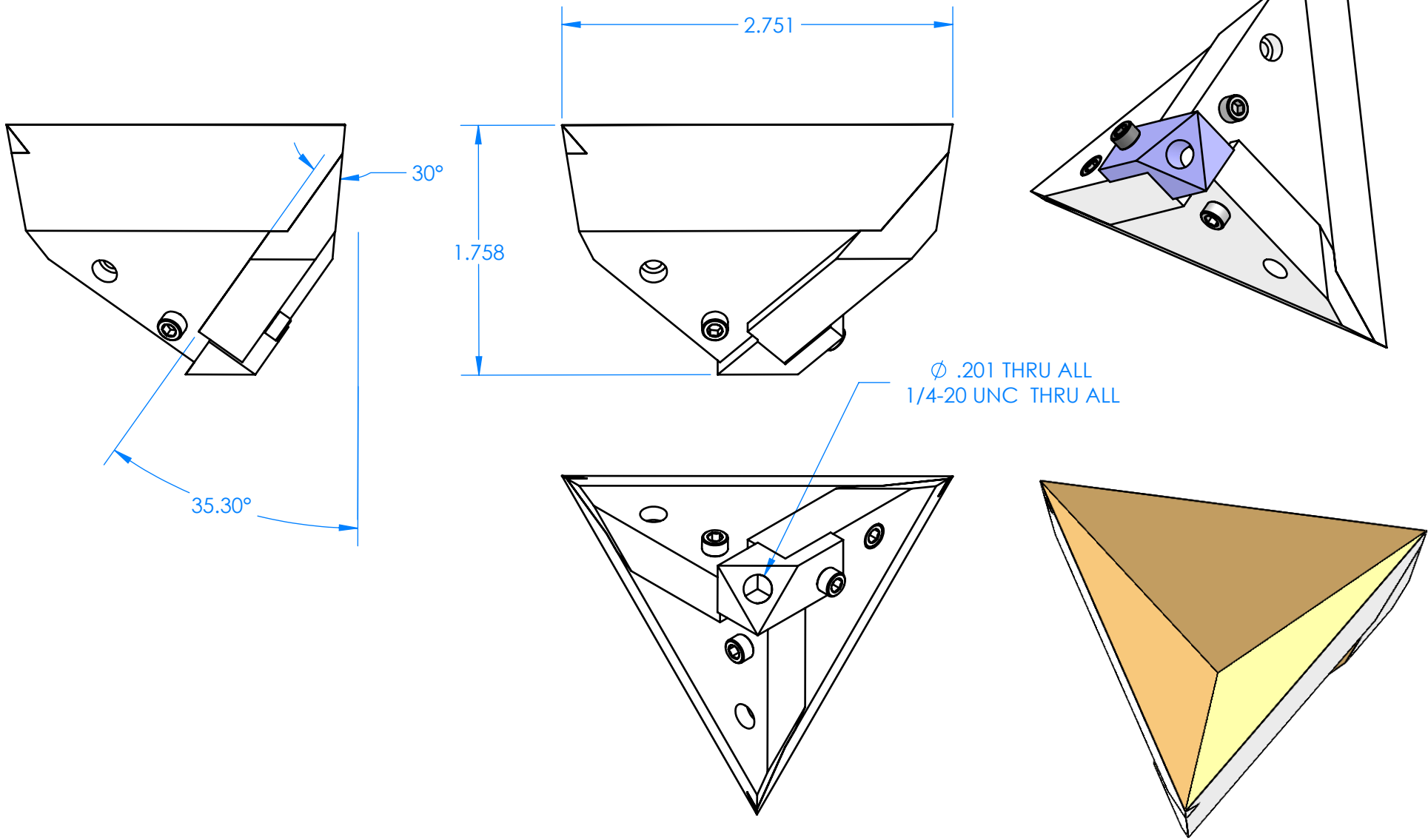
Ø .201 THRU ALL  
1/4-20 UNC THRU ALL



DECIMALS: XXXX ±.0005 XXX ±.005 XX ±.01	NAME	DATE
ANGLES: ± .5 DEGREE	DRAWN CC	10-12-21
THIRD ANGLE PROJECTION	CHECKED MS	10-12-21
	ENG LS	10-12-21
	MATL:	
	<b>6061 T6 ALUMINUM</b>	

TITLE:	<b>Mi-Wave Millimeter Products Inc.</b>		REV
SIZE	DWG. NO.		
<b>A</b>	Trihedral Reflector 770_2.4_OUTLINE_26205		
SCALE: 1:3	WEIGHT:		SHEET 1 OF 1

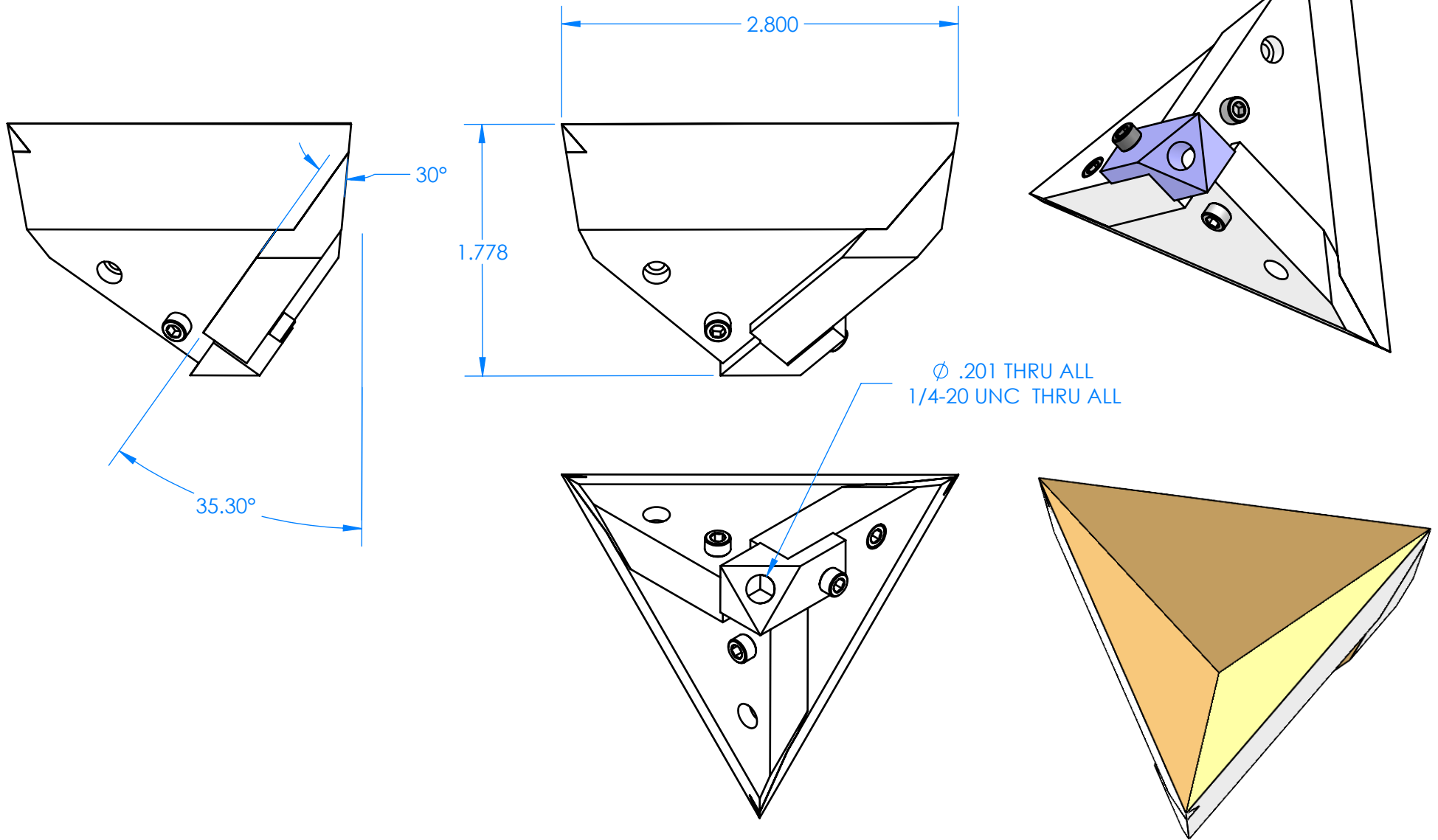
REVISIONS			
REV	DESCRIPTION	DATE	APPROVED
--	--	--	--



DECIMALS: XXXX ±.0005 XXX ±.005 XX ±.01	NAME	DATE
ANGLES: ± .5 DEGREE	DRAWN	CC 12-1-21
THIRD ANGLE PROJECTION	CHECKED	MS 12-1-21
	ENG	LS 12-1-21
	MATL:	
	<b>6061 T6 ALUMINUM</b>	

TITLE:	<b>Mi-Wave Millimeter Products Inc.</b>	
SIZE	DWG. NO.	REV
<b>A</b>	Trihedral Reflector 770_2.75_OUTLINE_26342	
SCALE: 1:3	WEIGHT:	SHEET 1 OF 1

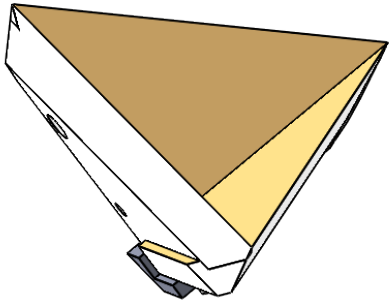
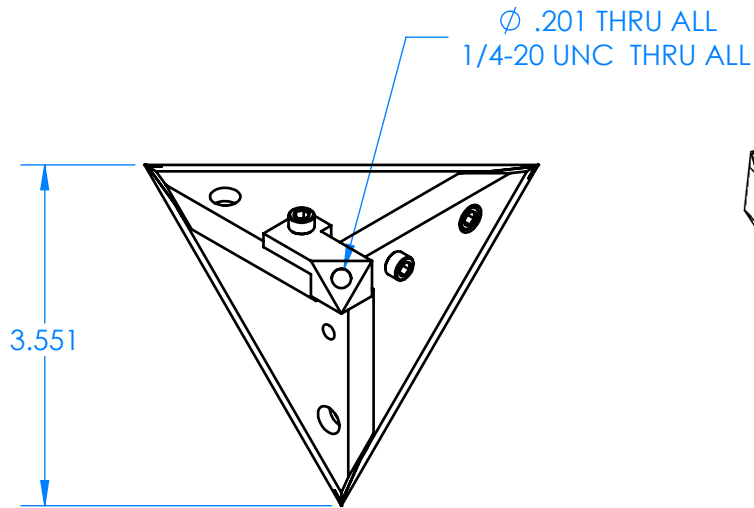
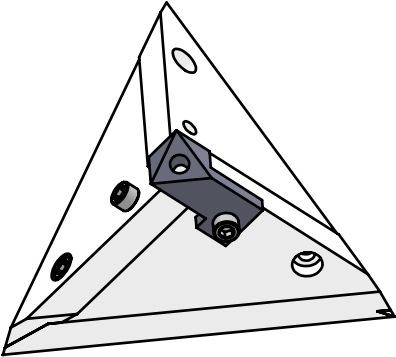
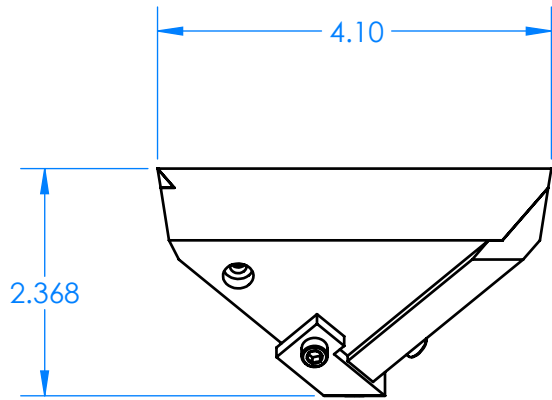
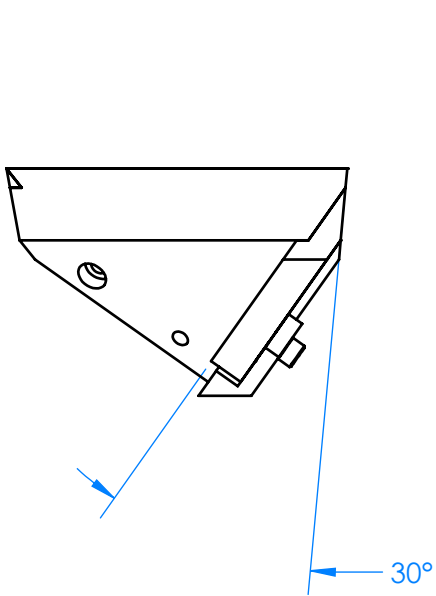
REVISIONS			
REV	DESCRIPTION	DATE	APPROVED
--	--	--	--



DECIMALS: XXXX ±.0005 XXX ±.005 XX ±.01	NAME DRAWN CC	DATE 7-15-22	TITLE: <b>Mi-Wave Millimeter Products Inc.</b>	
ANGLES: ± .5 DEGREE	CHECKED MS	7-15-22	SIZE <b>A</b>	DWG. NO. <b>TRIHEDRAL REFLECTOR 770-2.8_OUTLINE_26636</b>
THIRD ANGLE PROJECTION	ENG LS	7-15-22	SCALE: 1:3	REV
MATL: <b>6061 T6 ALUMINUM</b>			WEIGHT:	SHEET 1 OF 1



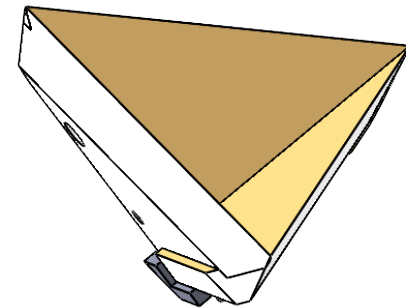
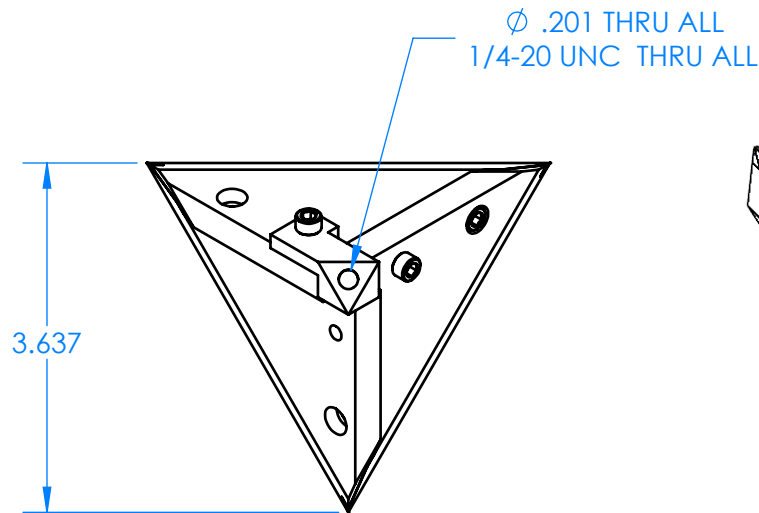
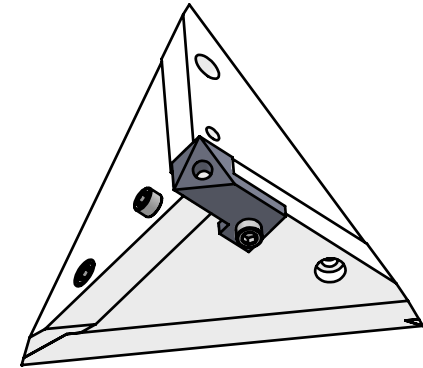
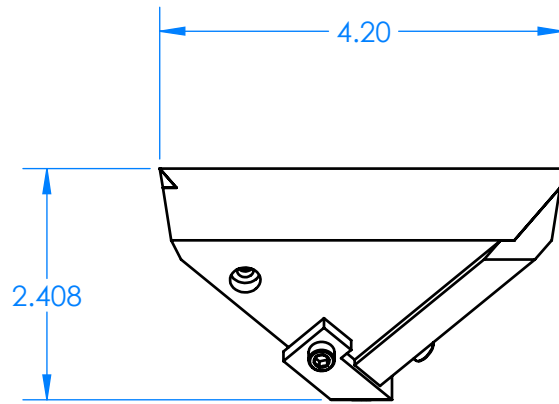
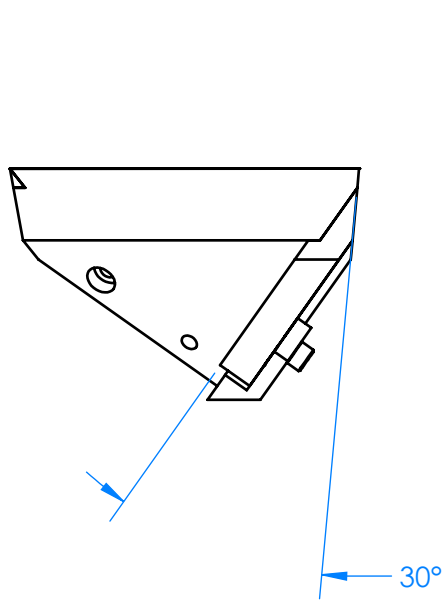
REVISIONS			
REV	DESCRIPTION	DATE	APPROVED
--	--	--	--



DECIMALS: XXXX ±.0005 XXX ±.005 XX ±.01	DRAWN	NAME	DATE
ANGLES: ± .5 DEGREE	CHECKED	CC	12-2-21
THIRD ANGLE PROJECTION	ENG	LS	12-2-21
	MATERIAL: <b>6061 T6 ALUMINUM</b>		

TITLE:	<b>Mi-Wave Millimeter Products Inc.</b>		REV
SIZE	DWG. NO.	Trihedral Reflector 770_4.1_OUTLINE_26346	
<b>A</b>	SCALE: 1:4	WEIGHT:	SHEET 1 OF 1

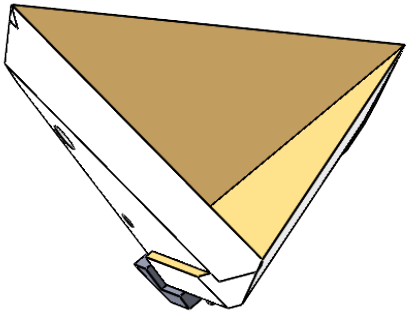
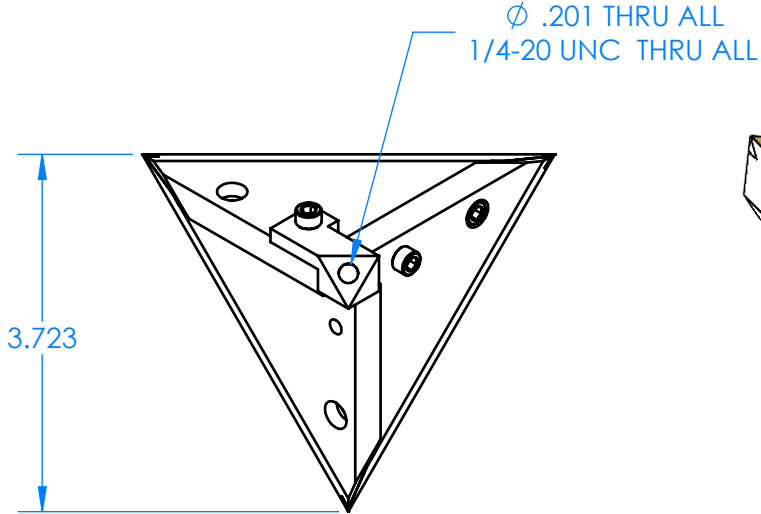
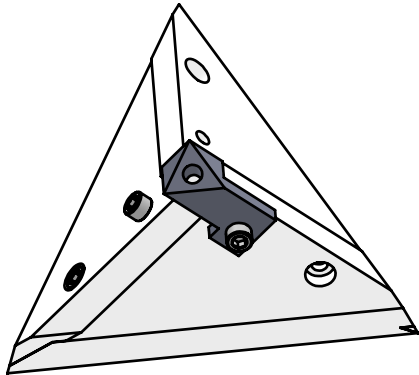
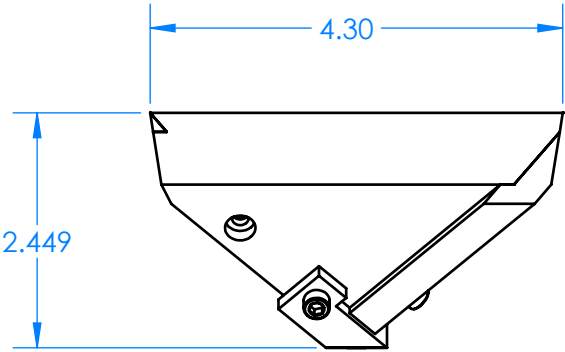
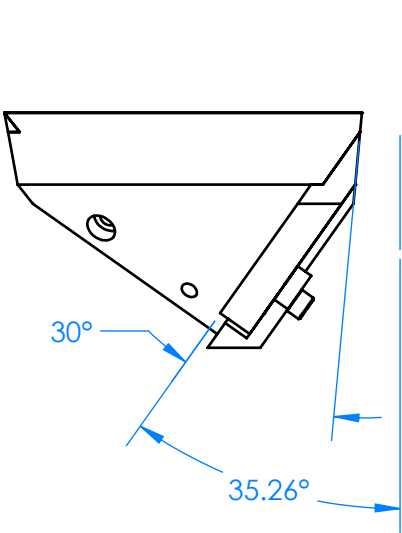
REVISIONS			
REV	DESCRIPTION	DATE	APPROVED
--	--	--	--



DECIMALS: XXXX ±.0005 XXX ±.005 XX ±.01	DRAWN	NAME	DATE
ANGLES: ± .5 DEGREE	CHECKED	CC	7-13-22
THIRD ANGLE PROJECTION	ENG	LS	7-13-22
	MATERIAL: <b>6061 T6 ALUMINUM</b>		

TITLE: <b>Mi-Wave Millimeter Products Inc.</b>	REV
SIZE <b>A</b> DWG. NO. <b>TRIHEDRAL REFLECTOR 770-4.2_OUTLINE_26633</b>	REV
SCALE: 1:4	WEIGHT:
SHEET 1 OF 1	

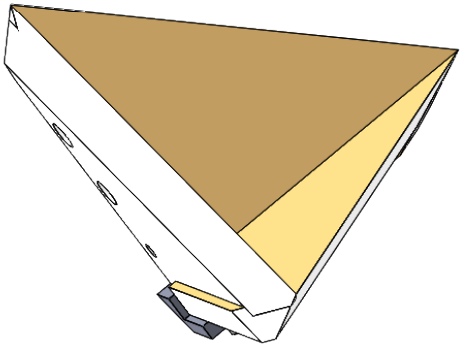
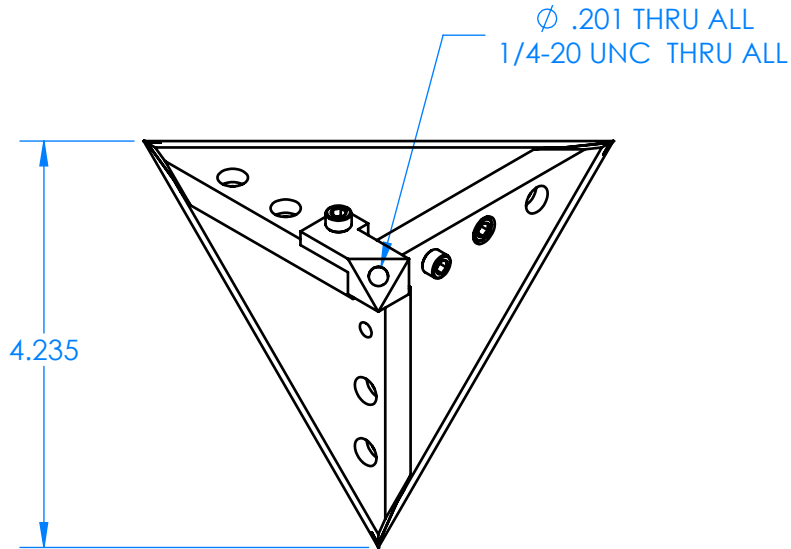
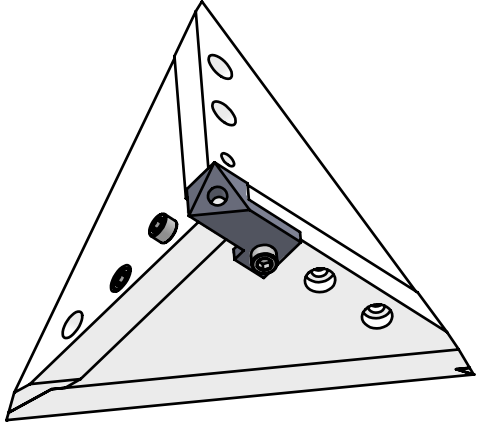
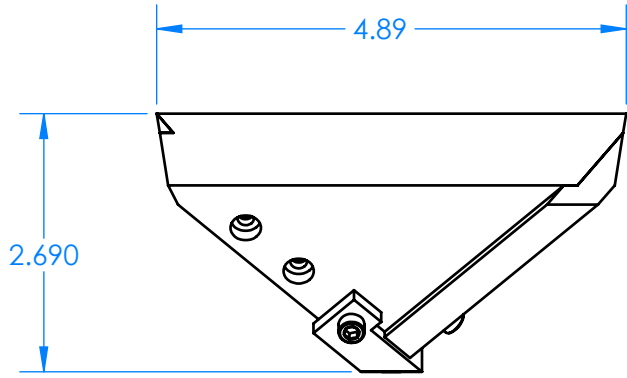
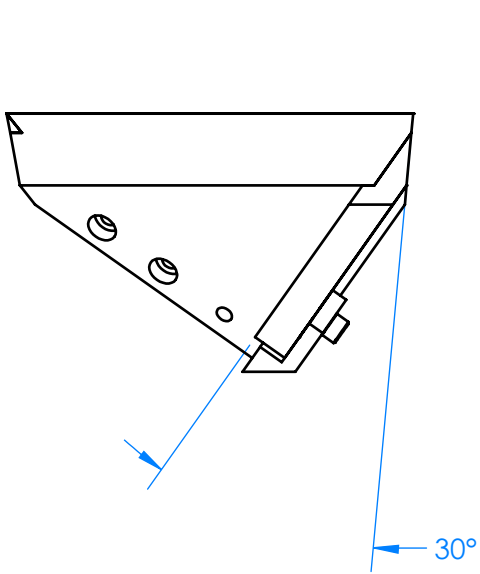
REVISIONS			
REV	DESCRIPTION	DATE	APPROVED
--	--	--	--



DECIMALS: XXXX ±.0005 XXX ±.005 XX ±.01	DRAWN	NAME	DATE
ANGLES: ± .5 DEGREE	CHECKED	CC	10-25-21
THIRD ANGLE PROJECTION	ENG	LS	10-25-21
	MATL:	<b>6061 T6 ALUMINUM</b>	

TITLE:	<b>Mi-Wave Millimeter Products Inc.</b>		
SIZE	DWG. NO.	REV	
<b>A</b>	Trihedral Reflector 770_4.3_OUTLINE_23645		
SCALE: 1:4	WEIGHT:	SHEET 1 OF 1	

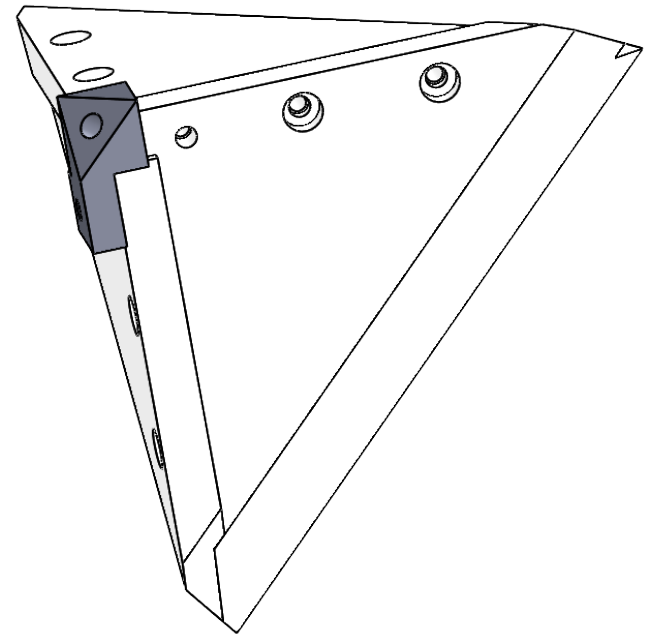
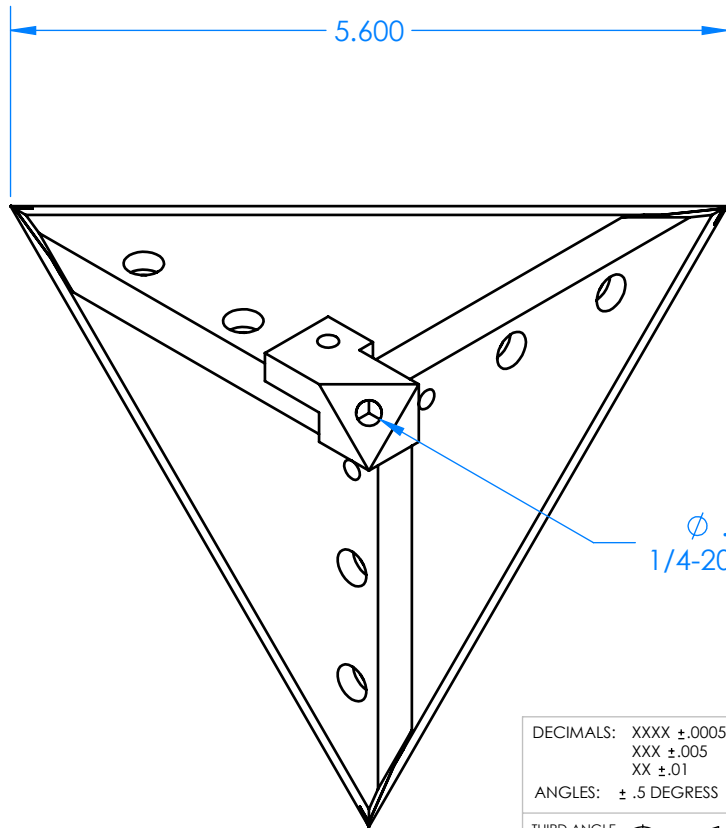
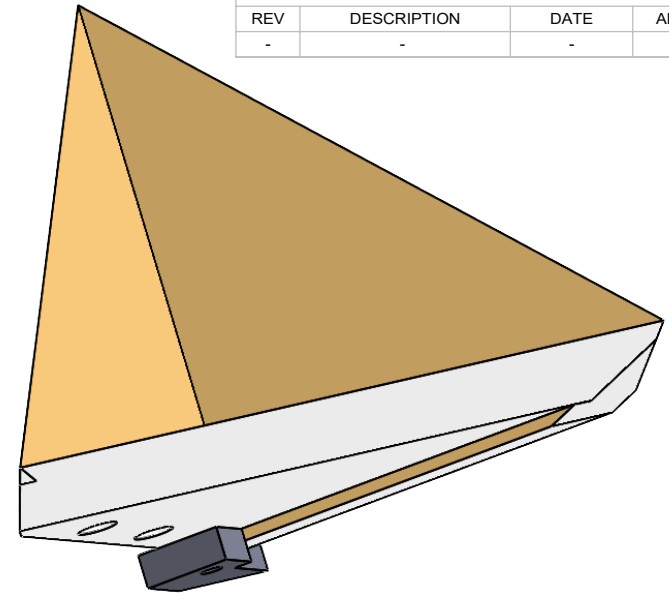
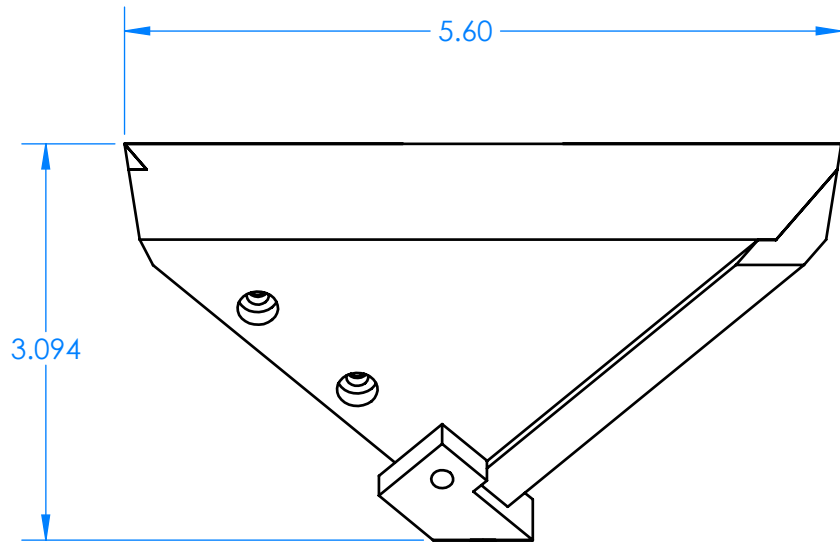
REVISIONS			
REV	DESCRIPTION	DATE	APPROVED
--	--	--	--



DECIMALS: XXXX ±.0005 XXX ±.005 XX ±.01	DRAWN	NAME	DATE
ANGLES: ± .5 DEGREE	CHECKED	CC	12-2-21
THIRD ANGLE PROJECTION	ENG	LS	12-2-21
	MATL: <b>6061 T6 ALUMINUM</b>		

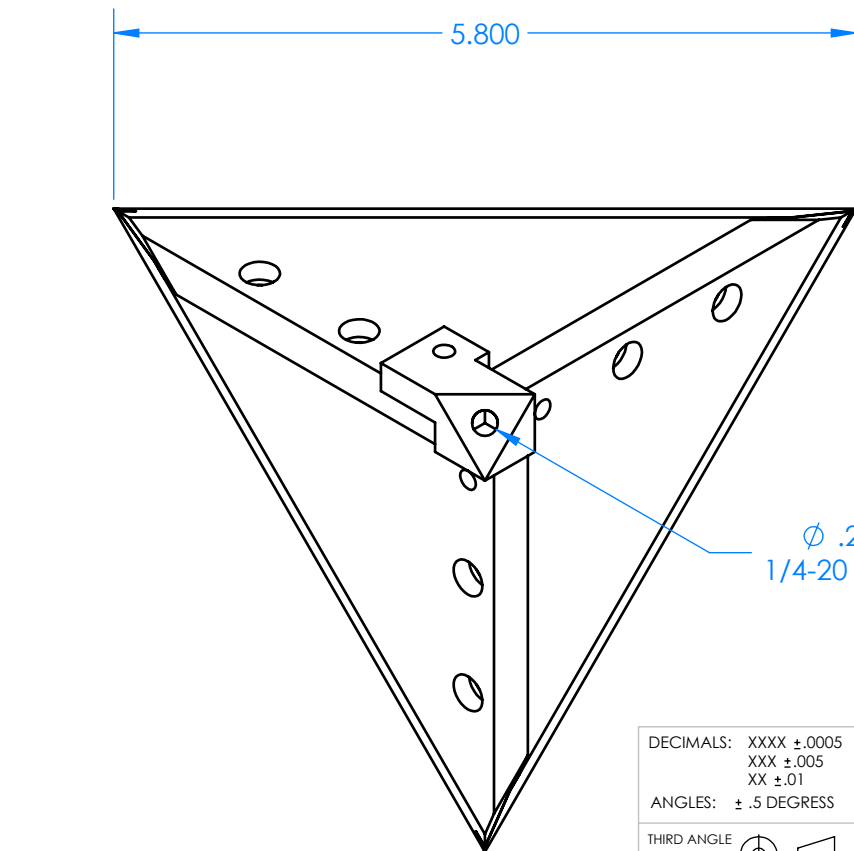
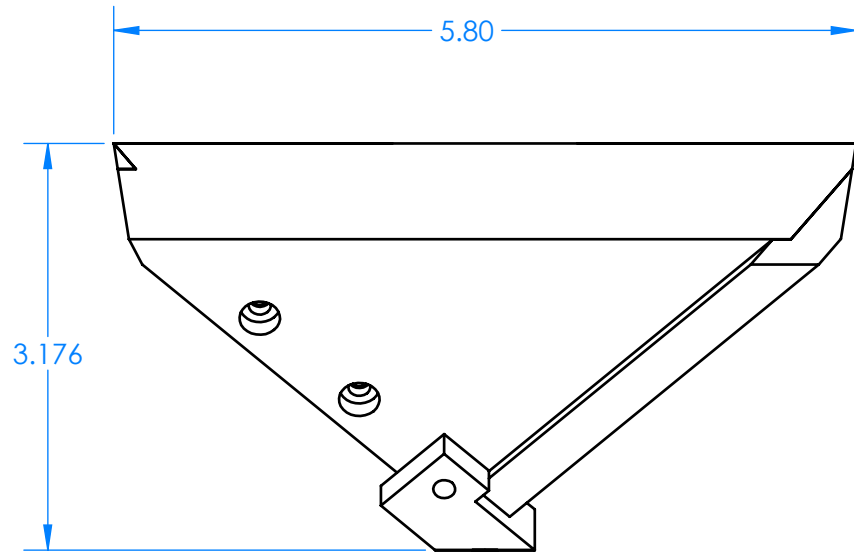
TITLE:	<b>Mi-Wave Millimeter Products Inc.</b>		
SIZE	DWG. NO.	REV	
<b>A</b>	Trihedral Reflector 770_4.89_OUTLINE_26355		
SCALE: 1:4	WEIGHT:	SHEET 1 OF 1	

REVISIONS			
REV	DESCRIPTION	DATE	APPROVED
-	-	-	-

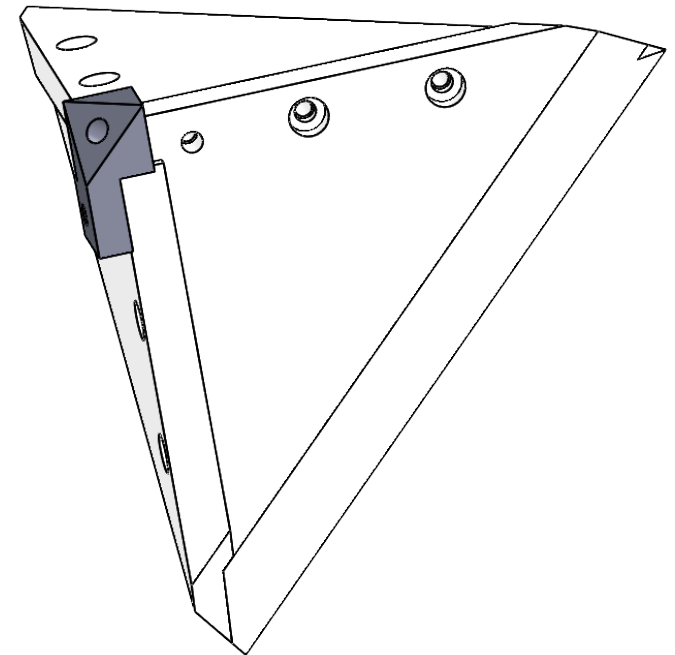
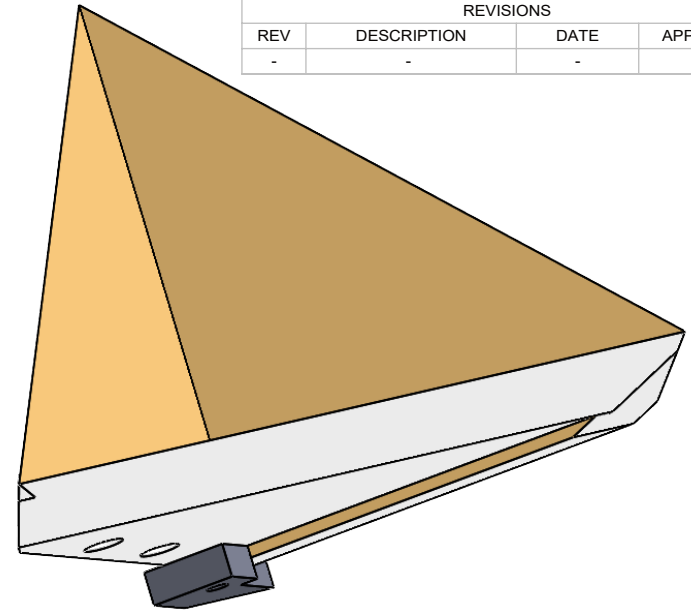


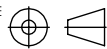
DECIMALS: XXXX ±.0005 XXX ±.005 XX ±.01	NAME	DATE
ANGLES: ± .5 DEGREE	DRAWN	CC 3-17-23
THIRD ANGLE PROJECTION	CHECKED	MS 3-17-23
	ENG	LS 3-17-23
	MATL:	
	<b>6061 T6 ALUMINUM</b>	

TITLE:	<b>Millimeter Wave Products Inc.</b>	
SIZE	DWG. NO.	REV
<b>A</b>	Trihedral Reflector_5.6_OUTLINE_27016	-
SCALE: 2:3	WEIGHT:	SHEET 1 OF 1



REVISIONS			
REV	DESCRIPTION	DATE	APPROVED
-	-	-	-



DECIMALS: XXXX ±.0005 XXX ±.005 XX ±.01	NAME	DATE
ANGLES: ± .5 DEGREE	DRAWN	CC 12-5-22
THIRD ANGLE PROJECTION 	CHECKED	MS 12-5-22
	ENG	LS 12-5-22
	MATL:	
	<b>6061 T6 ALUMINUM</b>	

TITLE:	<b>Millimeter Wave Products Inc.</b>	
SIZE	DWG. NO.	REV
<b>A</b>	Trihedral Reflector_5.8_OUTLINE_26858	-
SCALE: 2:3	WEIGHT:	SHEET 1 OF 1