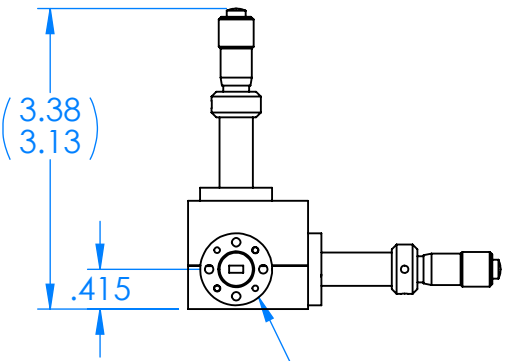
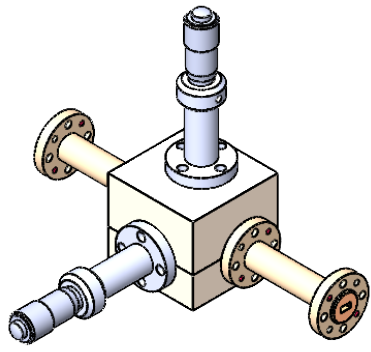
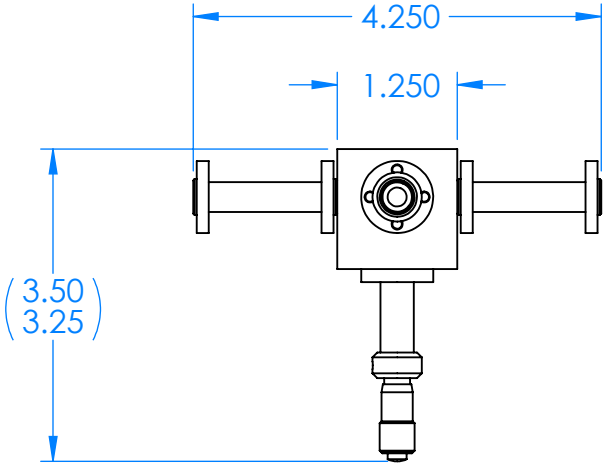
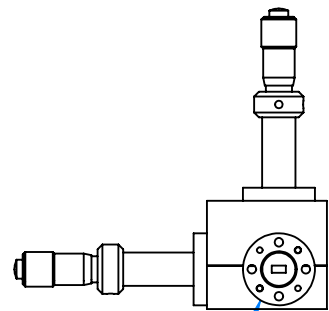
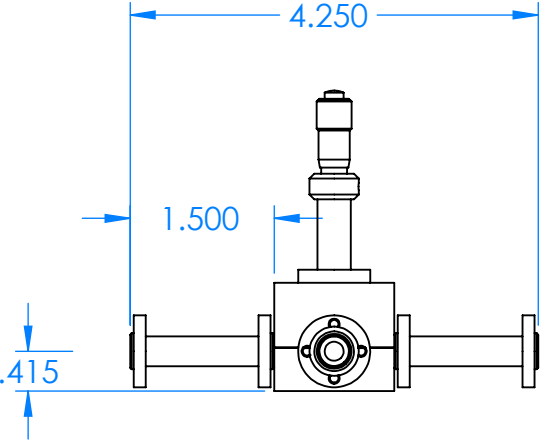


REVISIONS			
REV	DESCRIPTION	DATE	APPROVED
-	-	-	-



WR-15 V-BAND  
385 FLANGE



WR-15 V-BAND  
385 FLANGE

**ALL DIMENSIONS  
ARE REFERENCE ONLY**

DECIMALS: XXXX ±.0005 XXX ±.005 XX ±.01	ANGLES: ± .5 DEGREE	THIRD ANGLE PROJECTION	<table border="1"> <tr> <td>NAME</td> <td>DATE</td> </tr> <tr> <td>DRAWN JV</td> <td>10-6-21</td> </tr> <tr> <td>CHECKED MS</td> <td>10-6-21</td> </tr> <tr> <td>ENG LS</td> <td>10-6-21</td> </tr> </table>	NAME	DATE	DRAWN JV	10-6-21	CHECKED MS	10-6-21	ENG LS	10-6-21	TITLE: Millimeter Wave Products Inc.	REV
NAME	DATE												
DRAWN JV	10-6-21												
CHECKED MS	10-6-21												
ENG LS	10-6-21												
MATERIAL: 6061 T6 ALUMINUM			SIZE DWG. NO. A	620V-385_OUTLINE_26193	-								
SCALE: 1:2			WEIGHT:	SHEET 1 OF 1									