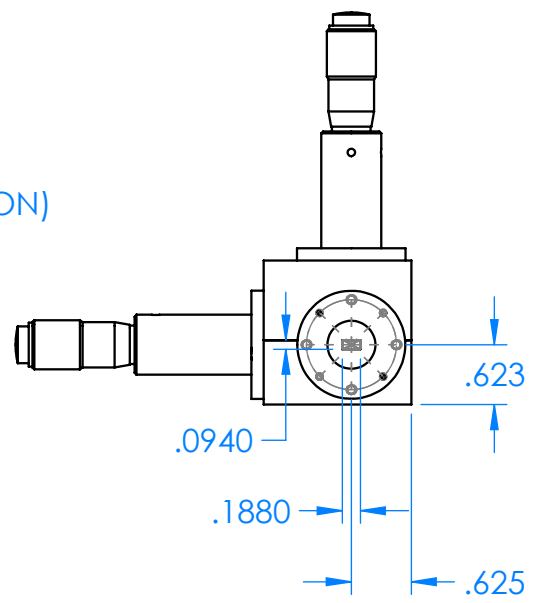
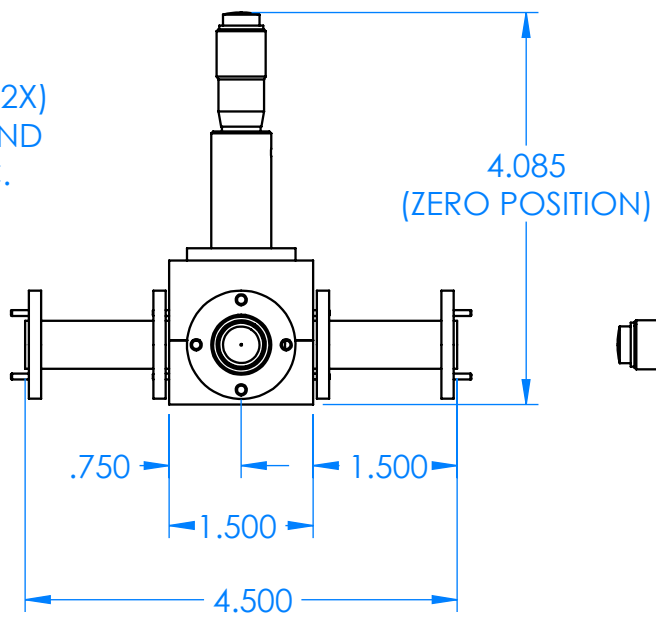
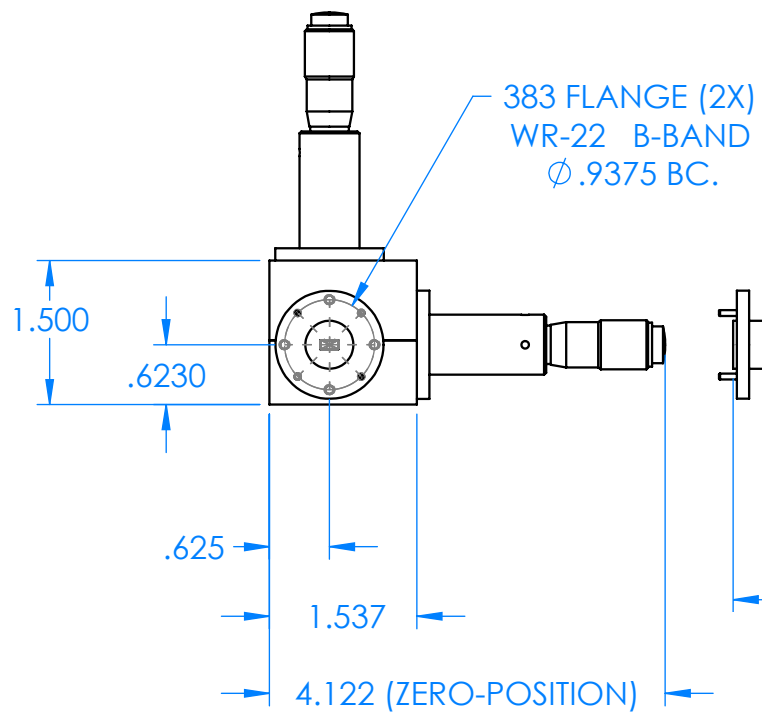
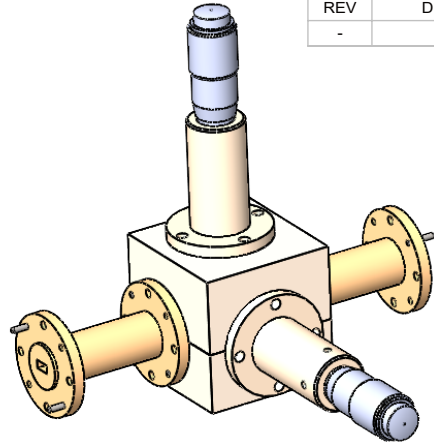
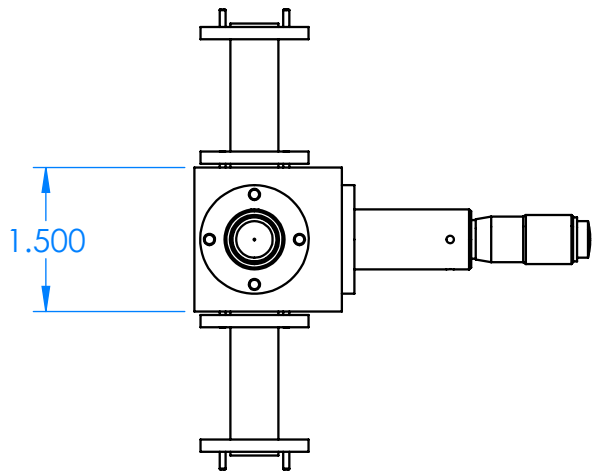


REVISIONS			
REV	DESCRIPTION	DATE	APPROVED
-	-	-	-



**ALL DIMENSIONS  
ARE REFERENCE ONLY**

DECIMALS: XXXX ±.0005  
XXX ±.005  
XX ±.01  
ANGLES: ± .5 DEGREESS

THIRD ANGLE PROJECTION

	NAME	DATE
DRAWN	JV	4-12-23
CHECKED	MS	4-12-23
ENG	LS	4-12-23

MATL:  
**ALUMINUM / BRASS**

TITLE: <b>Millimeter Wave Products Inc.</b>		REV
SIZE DWG. NO.	<b>A</b>	-
<b>620U-383_OUTLINE_27051</b>		SHEET 1 OF 1
SCALE: 1:2	WEIGHT:	