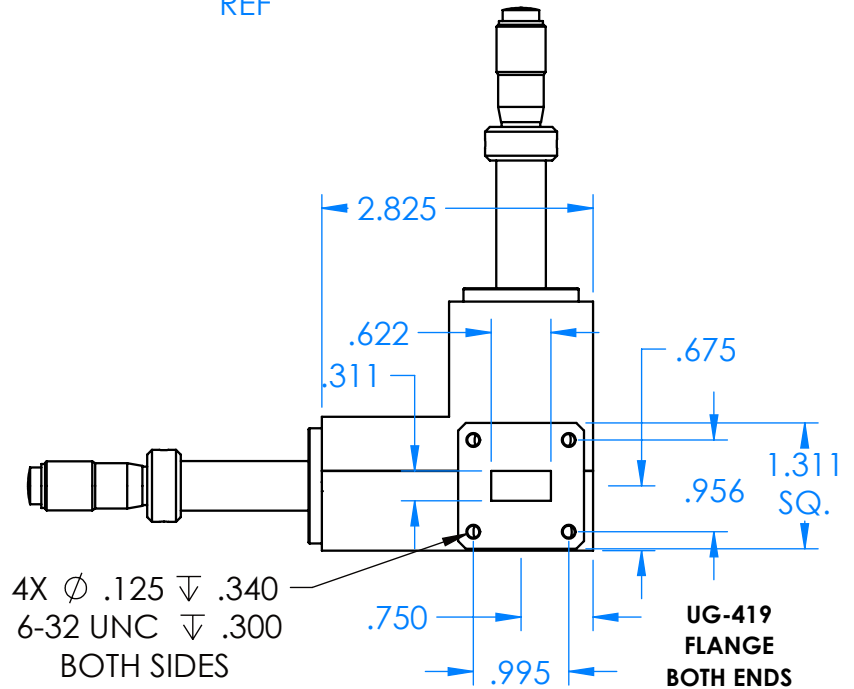
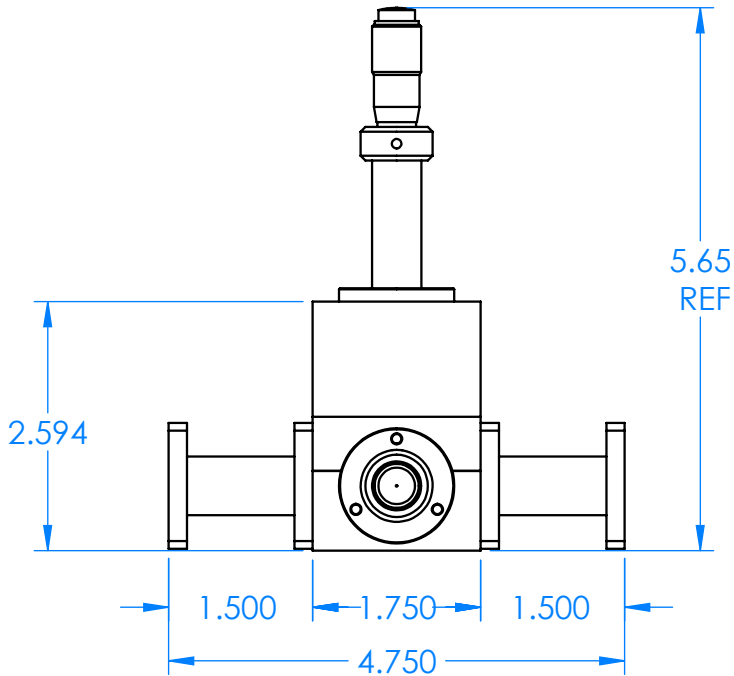
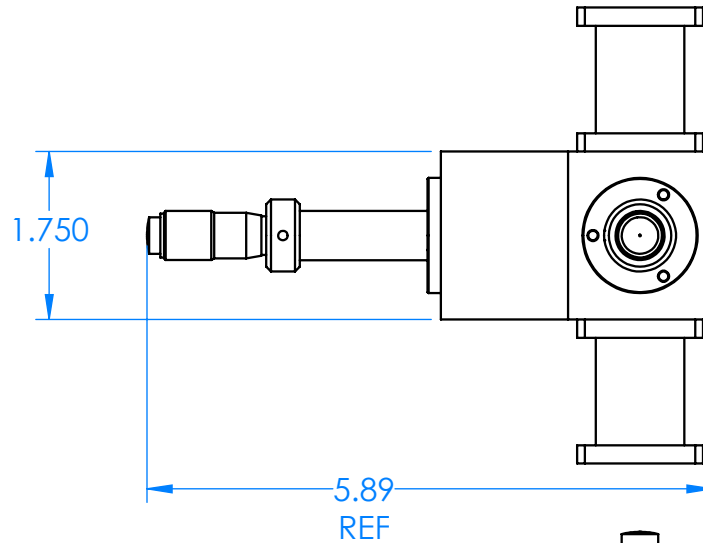
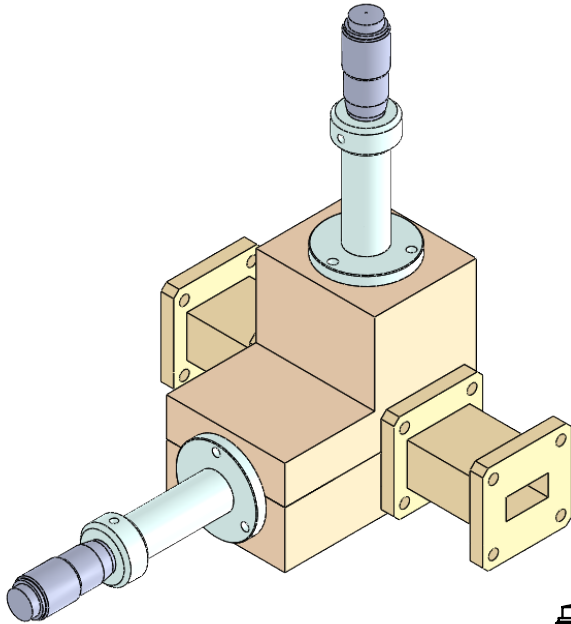


REVISIONS			
REV	DESCRIPTION	DATE	APPROVED
-	-	-	-



**ALL DIMENSIONS ARE  
REFERENCE ONLY**

DECIMALS: XXXX ±.0005  
XXX ±.005  
XX ±.01  
ANGLES: ± .5 DEGREE

THIRD ANGLE  
PROJECTION

	NAME	DATE
DRAWN	JV	11-18-22
CHECKED	MS	11-18-22
ENG	LS	11-18-22

MATL:

TITLE:

Millimeter Wave Products Inc.

SIZE DWG. NO.

620KU-419\_OUTLINE\_26809

REV

-

SCALE: 1:2

WEIGHT:

SHEET 1 OF 1