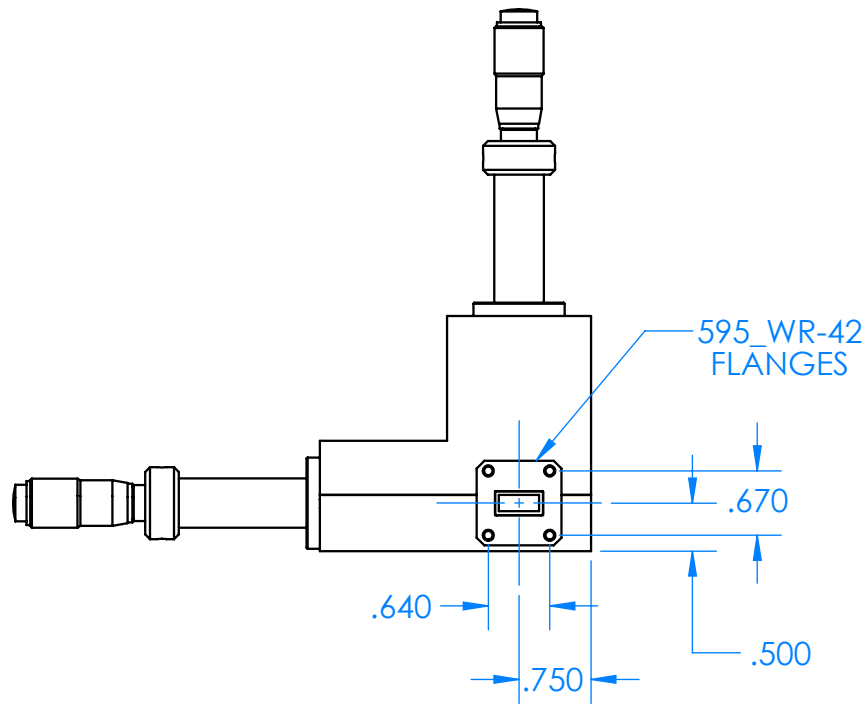
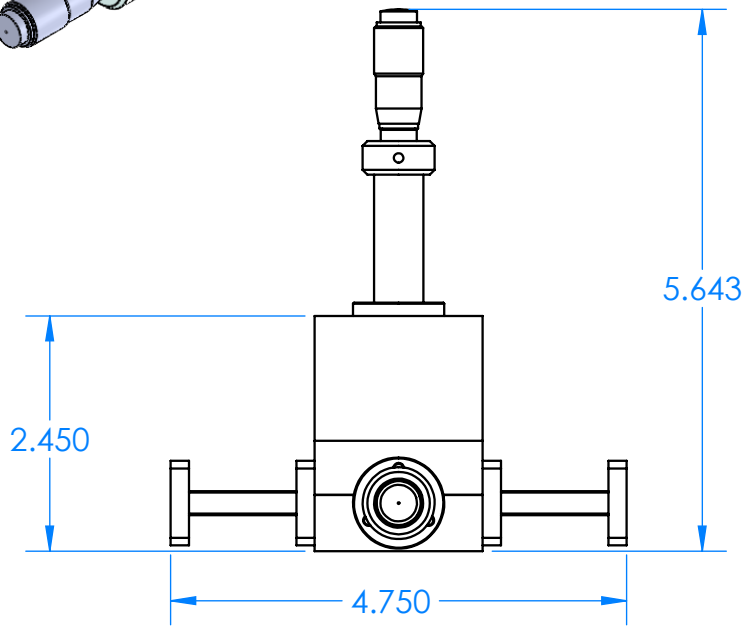
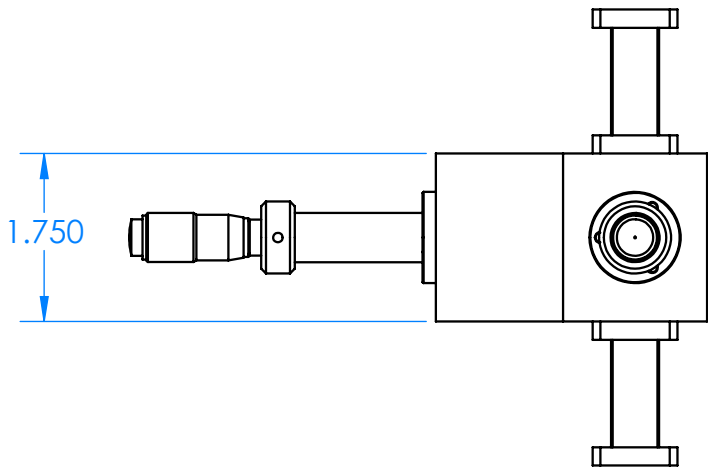
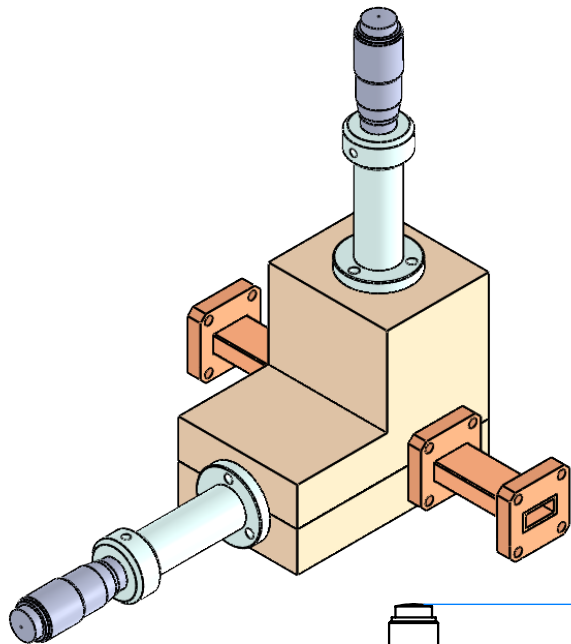


REVISIONS			
REV	DESCRIPTION	DATE	APPROVED
-	-	-	-



DECIMALS: XXXX ±.0005
 XXX ±.005
 XX ±.01
 ANGLES: ± .5 DEGREE

THIRD ANGLE PROJECTION

	NAME	DATE
DRAWN	JV	4-27-21
CHECKED	MS	4-27-21
ENG	LS	4-27-21

MATL:

TITLE: **Millimeter Wave Products Inc.**
 SIZE DWG. NO. **620K-595_OUTLINE_25947**
 SCALE: 1:2 WEIGHT: REV - SHEET 1 OF 1