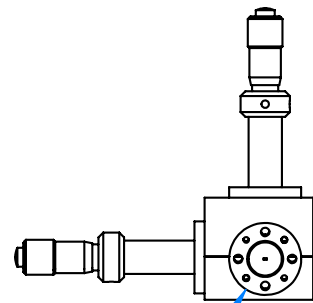
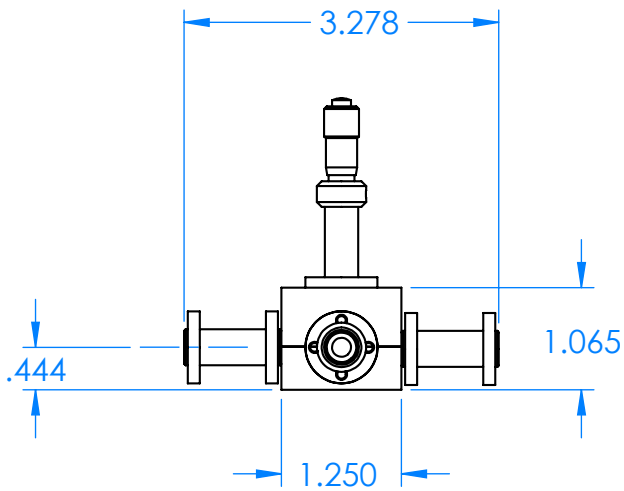
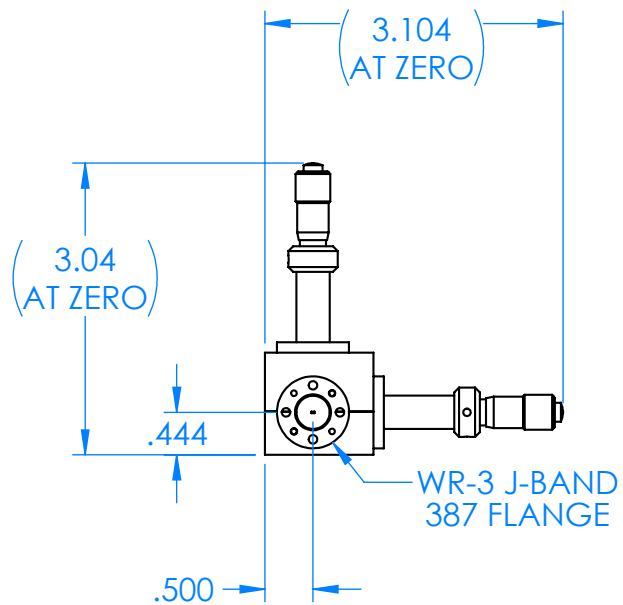
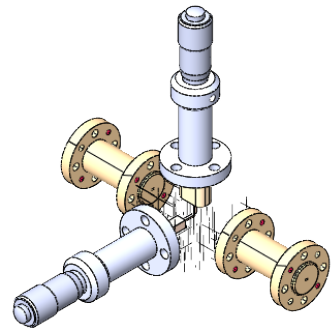
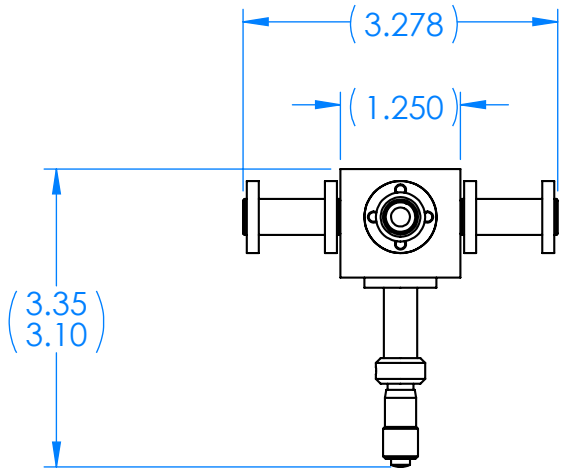


REVISIONS			
REV	DESCRIPTION	DATE	APPROVED
-	-	-	-



DECIMALS: XXXX ±.0005  
 XXX ±.005  
 XX ±.01  
 ANGLES: ± .5 DEGREE

	NAME	DATE
DRAWN	JV	10-6-21
CHECKED	MS	10-6-21
ENG	LS	10-6-21

TITLE:

Millimeter Wave Products Inc.

SIZE DWG. NO.

620J-387\_OUTLINE\_26254

REV

-

THIRD ANGLE PROJECTION

MATL:  
**1/2 HARD BRASS**

**A**

SCALE: 1:2

WEIGHT:

SHEET 1 OF 1