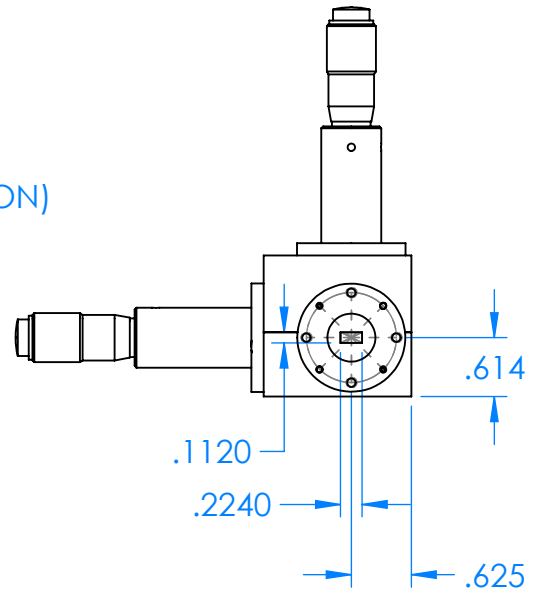
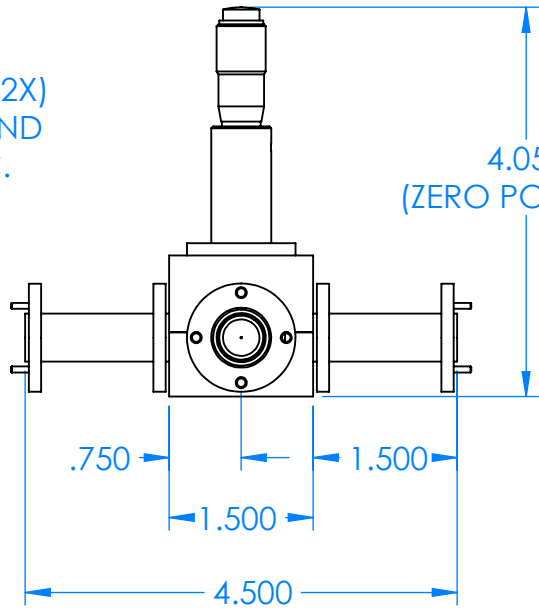
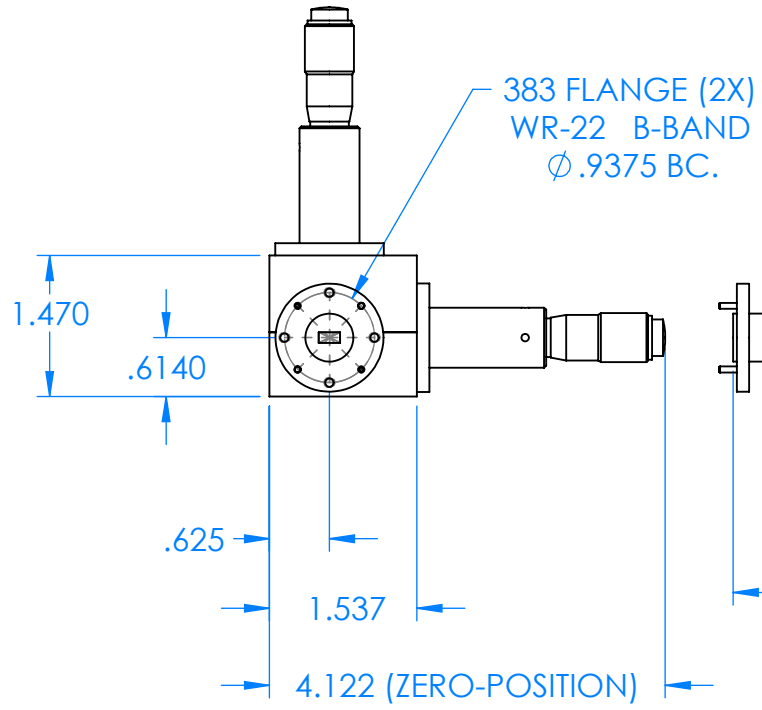
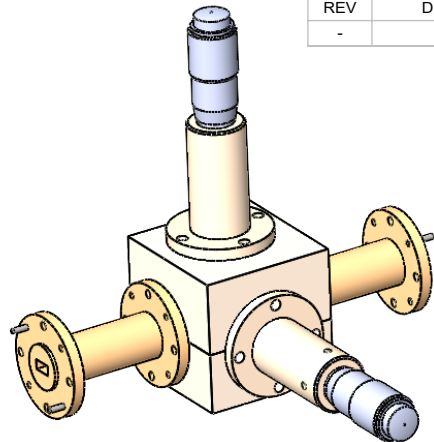
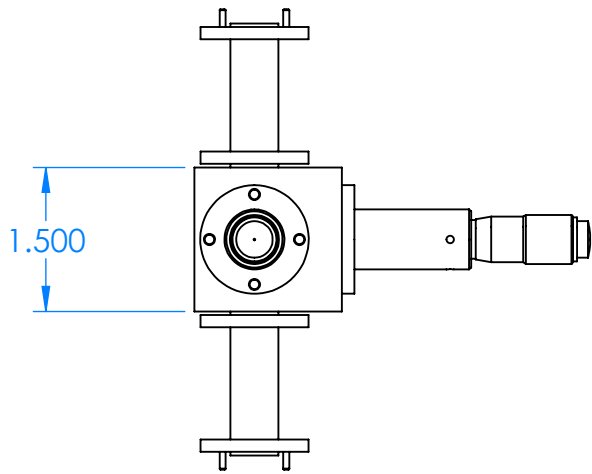


REVISIONS			
REV	DESCRIPTION	DATE	APPROVED
-	-	-	-



**ALL DIMENSIONS
ARE REFERENCE ONLY**

DECIMALS: XXXX ±.0005 XXX ±.005 XX ±.01	ANGLES: ± .5 DEGREE	THIRD ANGLE PROJECTION	<table border="1"> <tr> <td>NAME</td> <td>DATE</td> </tr> <tr> <td>DRAWN JV</td> <td>10-18-21</td> </tr> <tr> <td>CHECKED MS</td> <td>10-18-21</td> </tr> <tr> <td>ENG LS</td> <td>10-18-21</td> </tr> </table>	NAME	DATE	DRAWN JV	10-18-21	CHECKED MS	10-18-21	ENG LS	10-18-21	TITLE: Millimeter Wave Products Inc.	SIZE DWG. NO. A	REV -
NAME	DATE													
DRAWN JV	10-18-21													
CHECKED MS	10-18-21													
ENG LS	10-18-21													
MATERIAL: ALUMINUM / BRASS			SCALE: 1:2	WEIGHT:	TITLE: 620B-383_OUTLINE_26208									
					SHEET 1 OF 1									