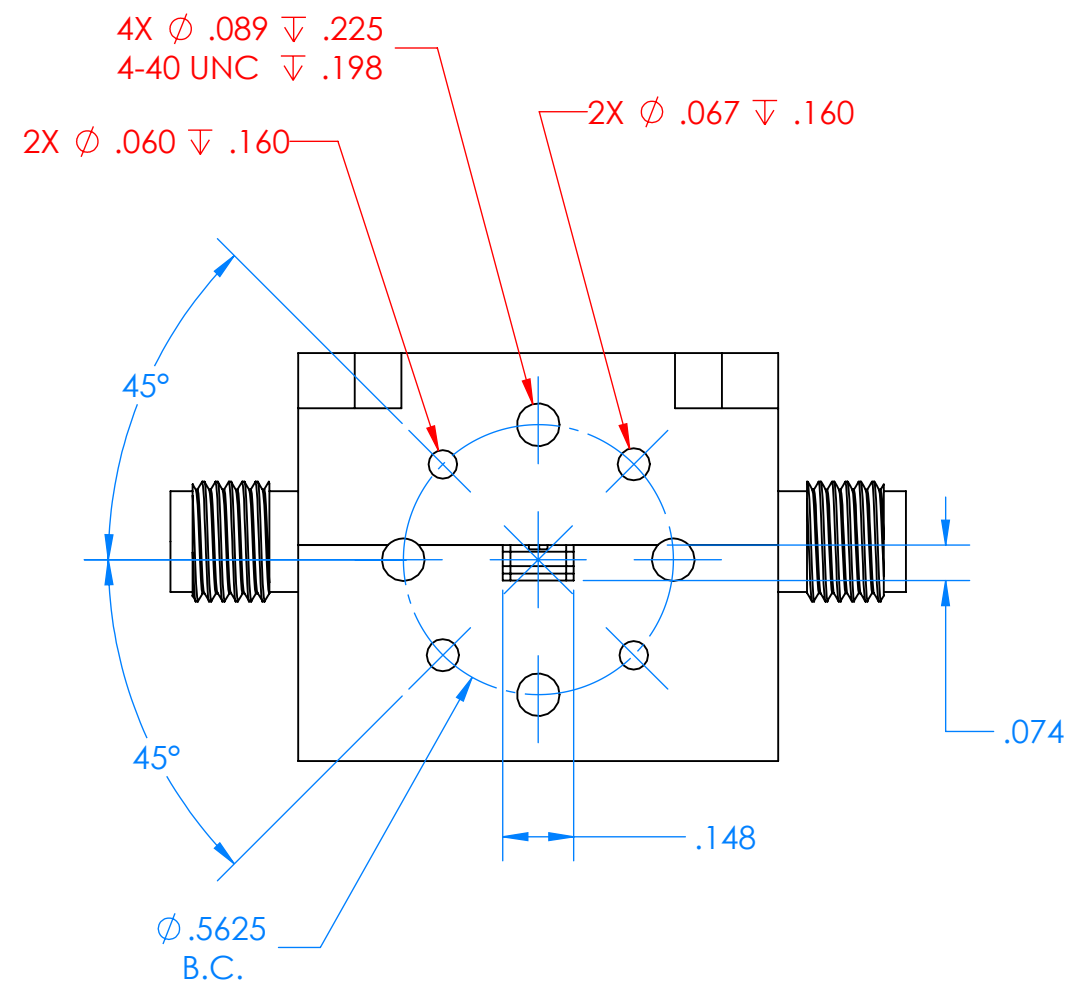
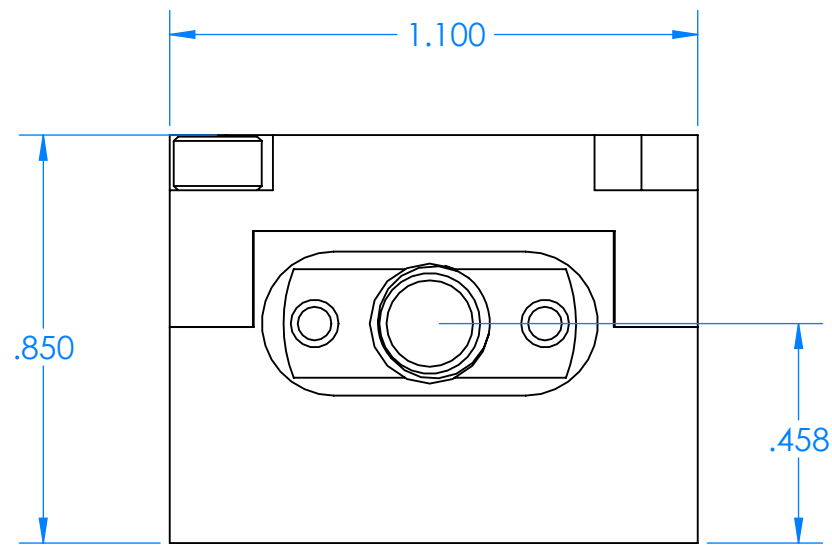
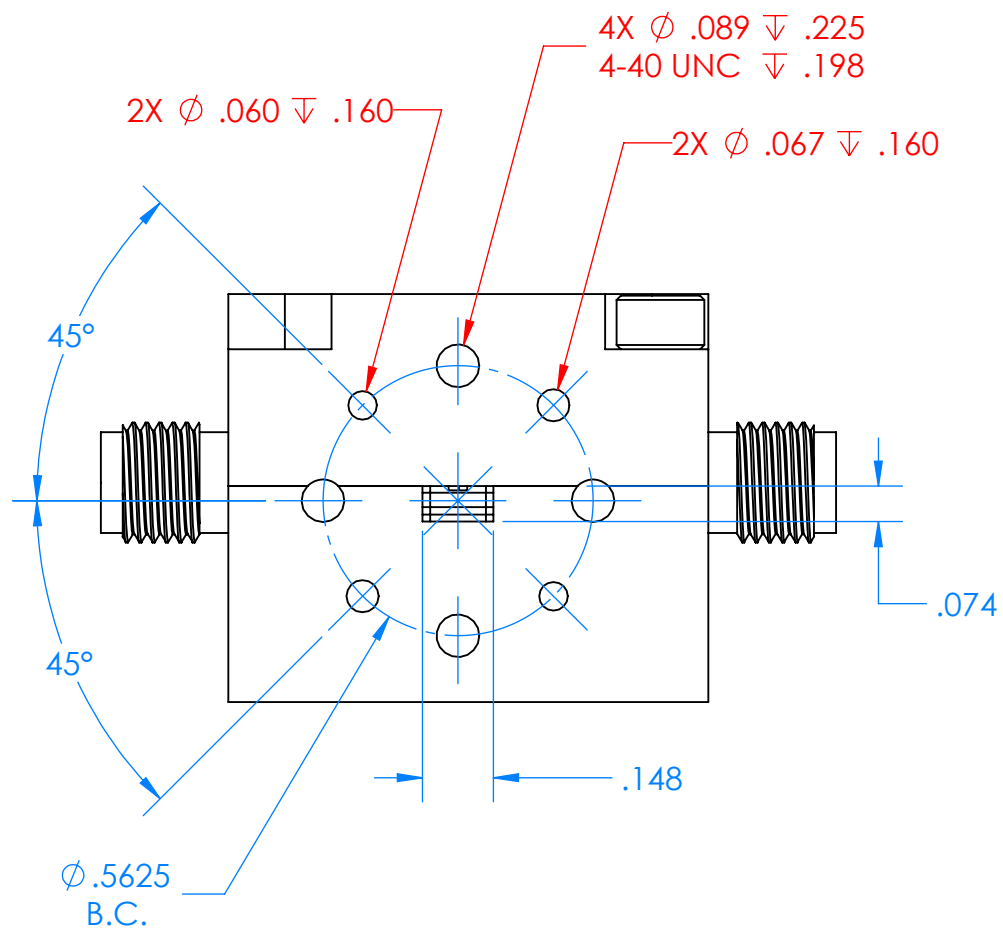
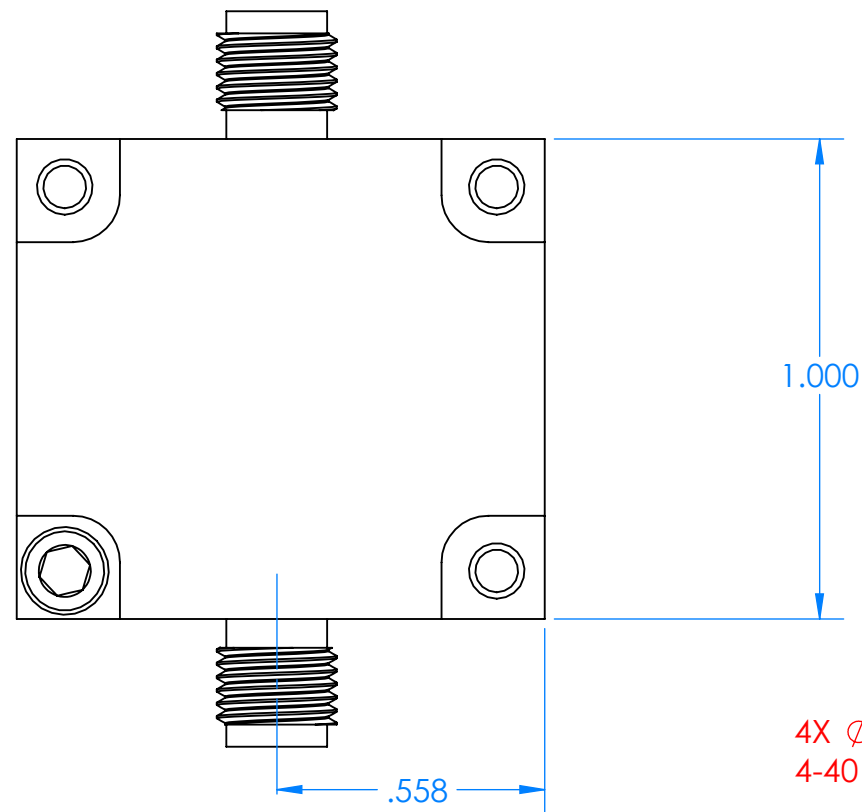
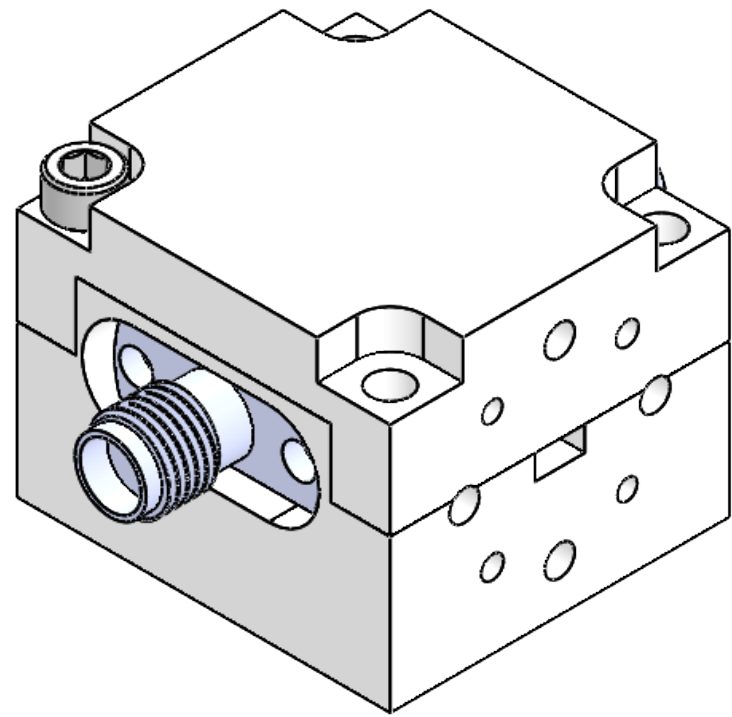


REVISIONS			
REV	DESCRIPTION	DATE	APPROVED
-	-	-	-



DECIMALS: XXXX ±.0005 XXX ±.005 XX ±.01	ANGLES: ±.5 DEGREE	THIRD ANGLE PROJECTION	DRAWN: CC 7-8-21	CHECKED: LS 7-8-21	ENG: LS 7-8-21	MATL: 6061 T6 ALUMINUM	TITLE: Millimeter Wave Products Inc.		SIZE: B	DWG. NO.: 971V_OUTLINE_26061	REV: -
							SCALE: 5:2	WEIGHT:		SHEET 1 OF 1	