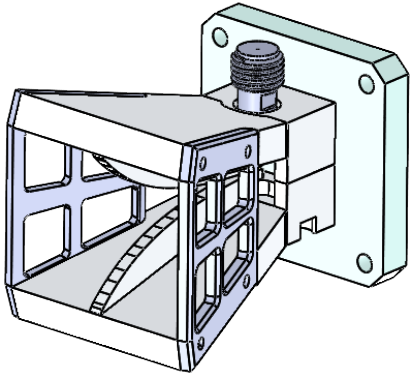
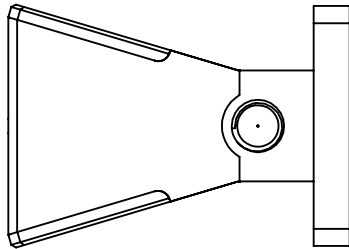
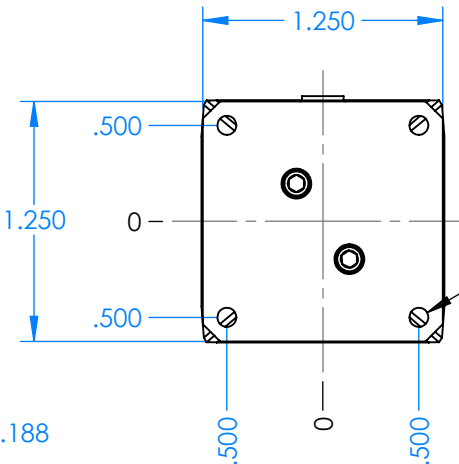
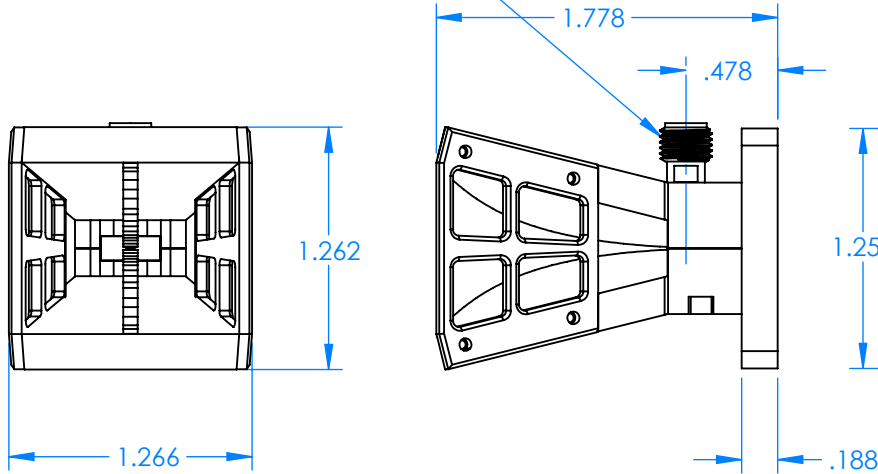


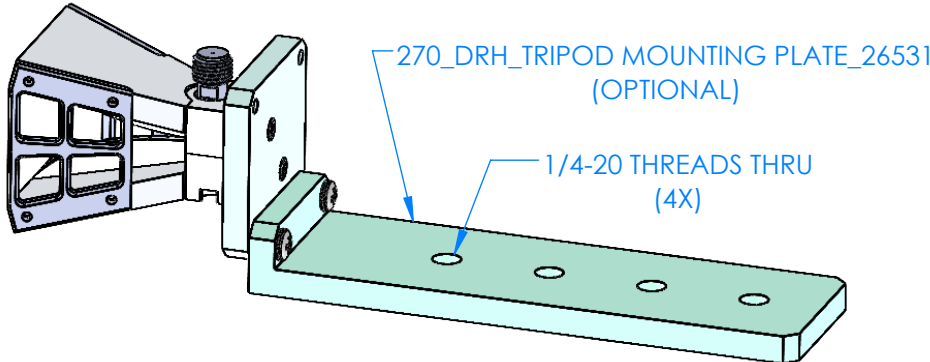
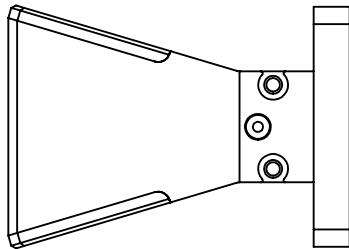
REVISIONS			
REV	DESCRIPTION	DATE	APPROVED
--	--	--	--



1.85 JACK (FEMALE)
THREAD-IN



4X ϕ .099 THRU ALL
4-40 UNC THRU ALL



DECIMALS: XXXX \pm .0005
XXX \pm .005
XX \pm .01
ANGLES: \pm .5 DEGREE

THIRD ANGLE PROJECTION

	NAME	DATE
DRAWN	JV	5/3/2022
CHECKED	MS	5/3/2022
ENG	MS	5/3/2022

MATL:
6061 T6 ALUMINUM

TITLE:

Millimeter Wave Products Inc.

SIZE DWG. NO.

270_DRH_OUTLINE_26530

REV

A

SCALE: 1:1

WEIGHT:

SHEET 1 OF 1