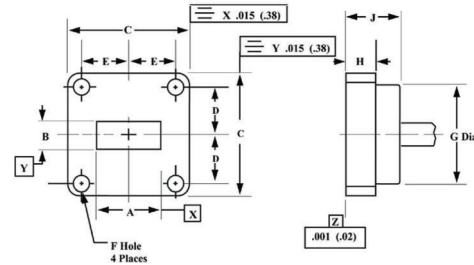
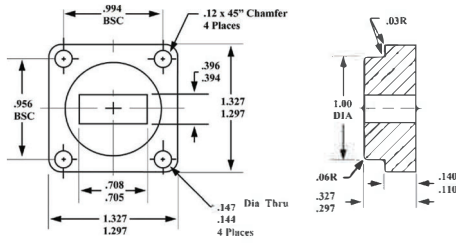


UG-419/U (WR-62)

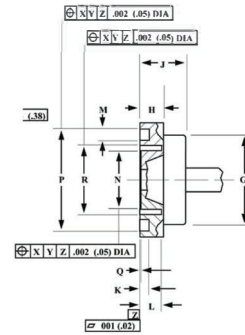
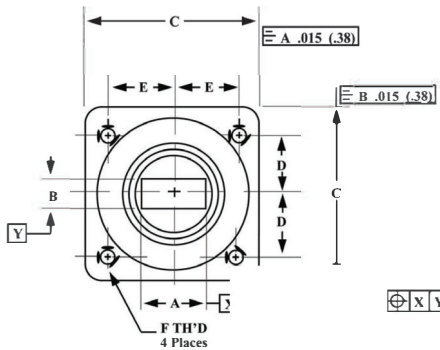
Cover Flanges — Finished Flange and Waveguide UG-419/U (WR-62)



| MIWV Band | Frequency Band (GHz) | MIL Part Number M3922/53 | A | B | C .015 (.38) | D BSC | E BSC | F ±.003 (.08) | G ±.015 (.38) | H ±.015 (.38) | J ±.015 (.38) | MIWV Flange Bank |
|-----------|----------------------|--------------------------|-----------------------------|----------------------------|----------------|-----------------|-----------------|----------------|------------------|----------------|----------------|------------------|
| Ku | 12.4 18.0 | -4/005 | .622 ± .002 (15.8) (.05) | .311 ± .002 (7.9) (.05) | 1.312 33.32 | 4.78 (12.14) | .497 (12.62) | .144 (3.66) | 1.000 (25.40) | .125 (3.18) | .313 (7.95) | UG-419/U |

Square Choke Flanges

Finished Flange and Waveguide



| MIWV Band | Frequency Band (GHz) | MIL Part Number M3922/59 | MIWV FLG. ESIG. | A | B | C .015 (.38) | D BSC | E BSC | F | G ±.015 (.38) | H ±.015 (.38) | J ±.015 (.38) | K ±.002 (.05) | L ±.002 (.05) | M ±.002 (.05) | N ±.002 (.05) | P ±.002 (.05) | Q ±.001 (.03) | R ±.002 (.05) |
|-----------|----------------------|--------------------------|-----------------|---------------------------|---------------------------|------------------|-----------------|-----------------|-------------------|------------------|----------------|----------------|----------------|----------------|----------------|-----------------|------------------|----------------|-----------------|
| Ku | 12.4 18.0 | -2/001 | UG541 | .622±.002 (15.8)(.05) | .311±.002 (7.9)(.05) | 1.312 (33.32) | .478 (12.14) | .497 (12.62) | .138-32 UNC-2B | 1.000 (25.40) | .188 (4.78) | .375 (9.53) | .113 (2.87) | .190 (4.83) | 1.58 (4.01) | .710 (18.03) | 1.208 (30.68) | .0075 (.19) | .828 (21.03) |
| K | 18.0 26.5 | -2/003 | UG596 | .420±.002 (10.67)(.05) | .170±.002 (4.32)(.05) | .875 (22.23) | .335 (8.51) | .320 (8.13) | .112-40 UNC-2B | .625 (15.88) | .156 (3.96) | .285 (7.24) | 0.42 (1.07) | .129 (3.28) | 0.87 (2.21) | .472 (11.99) | .761 (19.33) | .005 (.13) | .536 (13.61) |
| A | 26.5 40.0 | -2/005 | UG600 | .280±.0014 (7.11)(.04) | .140±.0014 (3.56)(.04) | .750 (19.05) | .265 (6.73) | .250 (6.35) | .112-40 UNC-2B | .500 (12.70) | .109 (2.77) | .210 (5.33) | .050 (1.27) | .086 (2.18) | .096 (2.44) | .321 (8.15) | .596 (15.14) | .003 (.08) | .372 (9.45) |