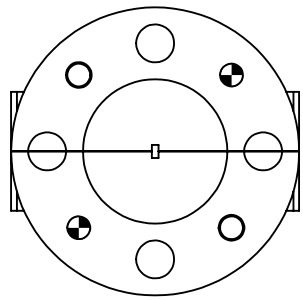
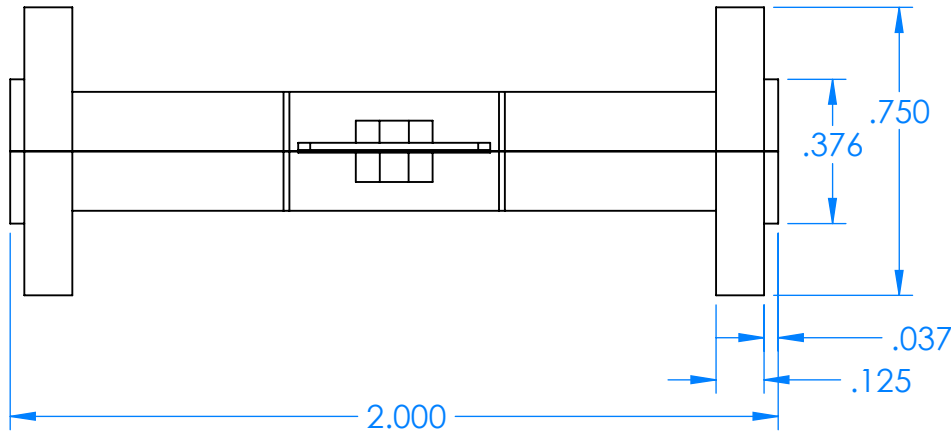
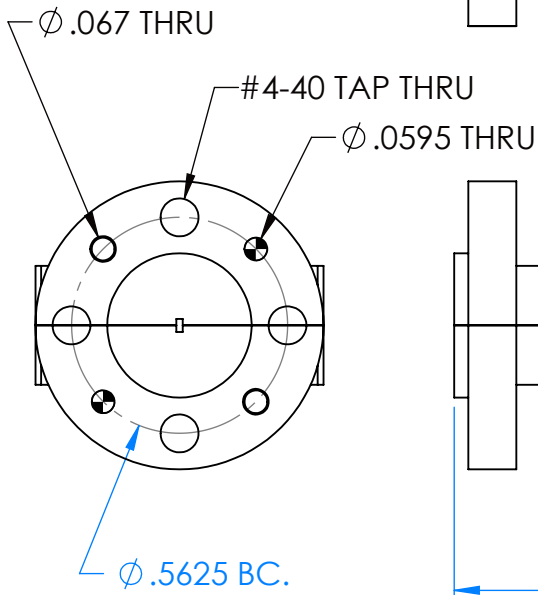
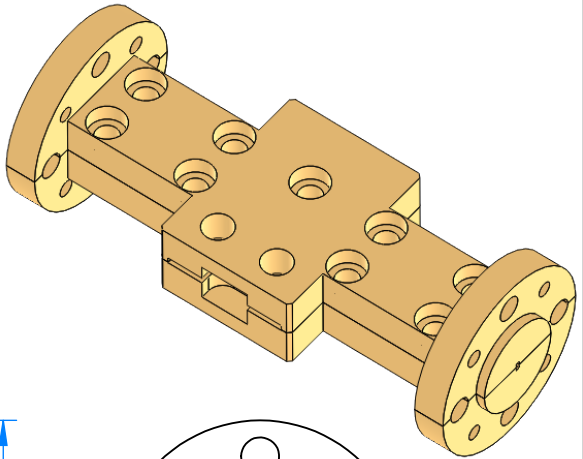
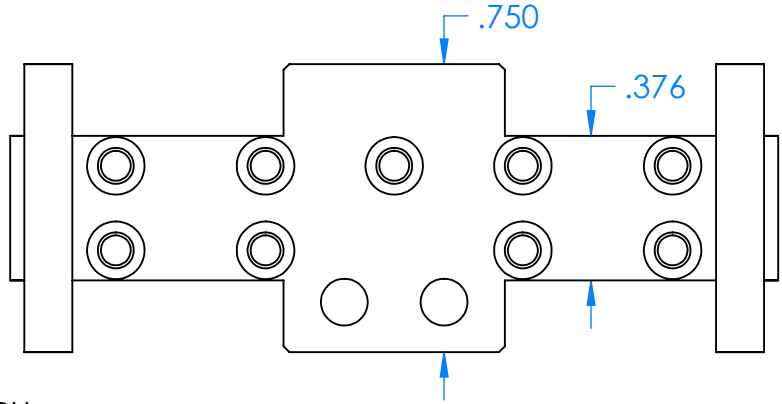
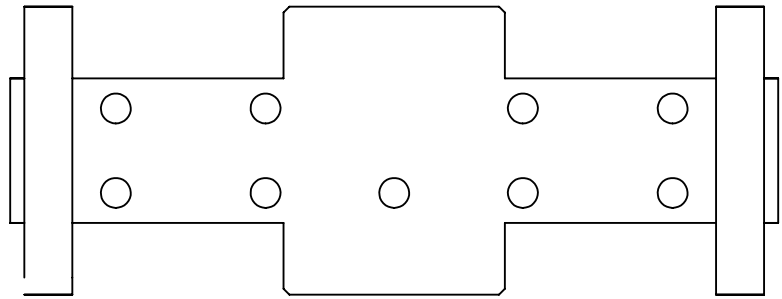


REVISIONS			
REV	DESCRIPTION	DATE	APPROVED
-	-	-	-



**UG-387**

**UG-387**



DECIMALS: XXXX ±.0005 XXX ±.005 XX ±.01	DRAWN	JV	1-16-19
ANGLES: ± .5 DEGREE	CHECKED	MS	1-16-19
THIRD ANGLE PROJECTION	ENG	LS	1-16-19
	MATL:	<b>6061 T6 ALUMINUM</b>	

TITLE: <b>Mi-Wave Millimeter Products Inc.</b>		REV
SIZE DWG. NO.	<b>A</b>	-
<b>521J-387-OUTLINE</b>		SHEET 1 OF 1
SCALE: 2:1	WEIGHT:	