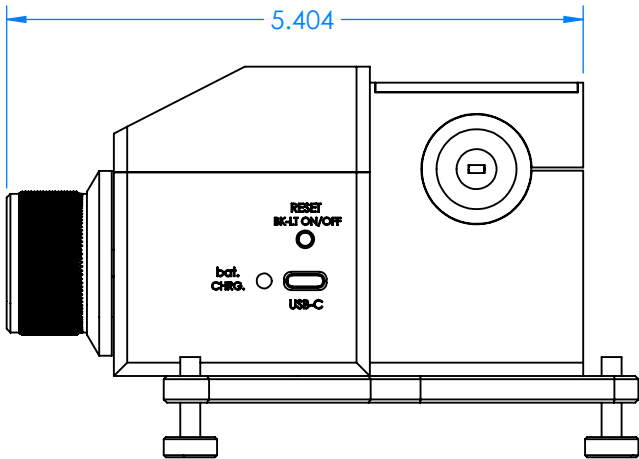
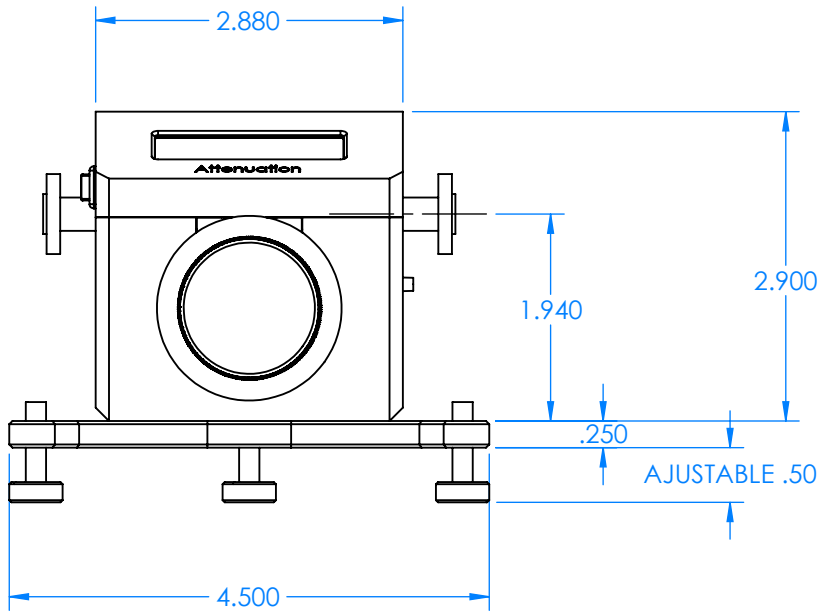
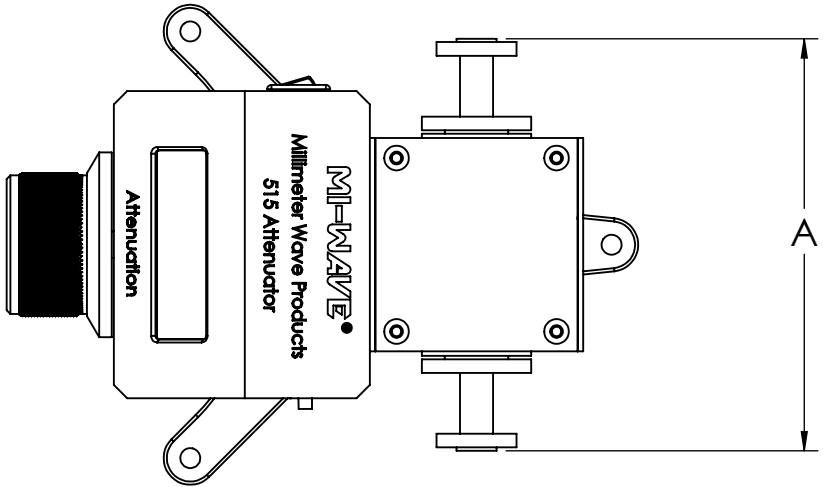
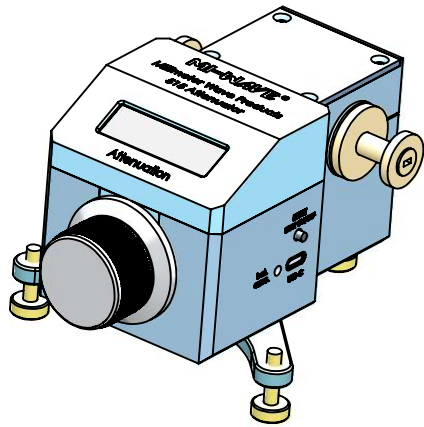


REVISIONS			
REV	DESCRIPTION	DATE	APPROVED
-	-	-	-



DECIMALS: XXXX ±.0005
 XXX ±.005
 XX ±.01
 ANGLES: ± .5 DEGREE

THIRD ANGLE PROJECTION

	NAME	DATE
DRAWN	JV	5-30-19
CHECKED	MS	5-30-19
ENG	HW	5-30-19

MATL:

TITLE: Millimeter Wave Products Inc.

SIZE DWG. NO. **A** 515_Attenuator_OUTLINE_24772

SCALE: 1:3

WEIGHT:

REV -

SHEET 1 OF 1