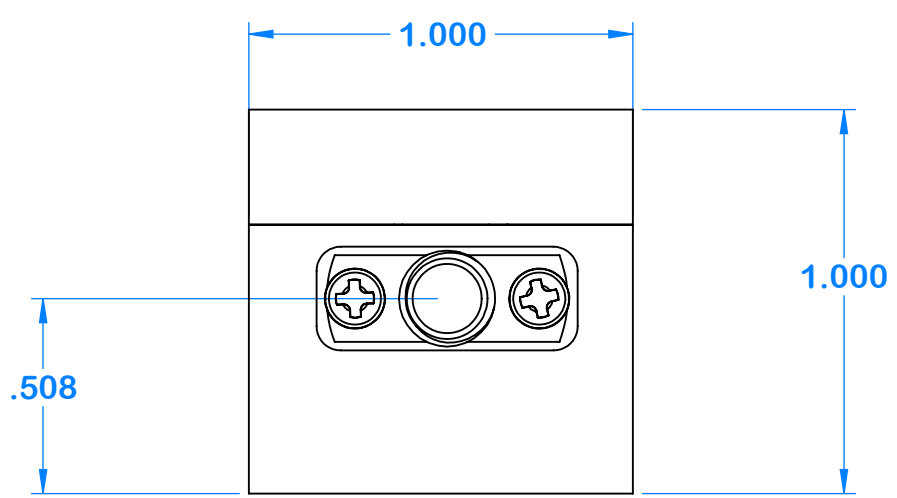
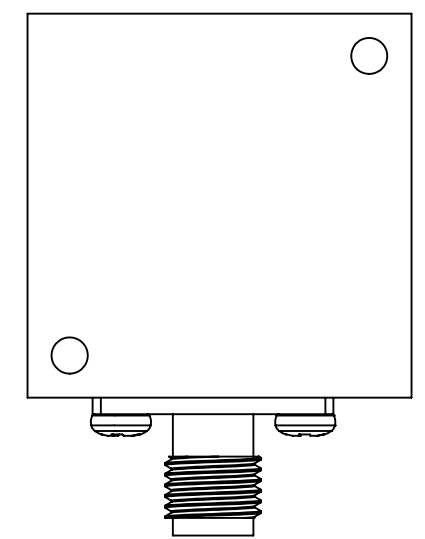
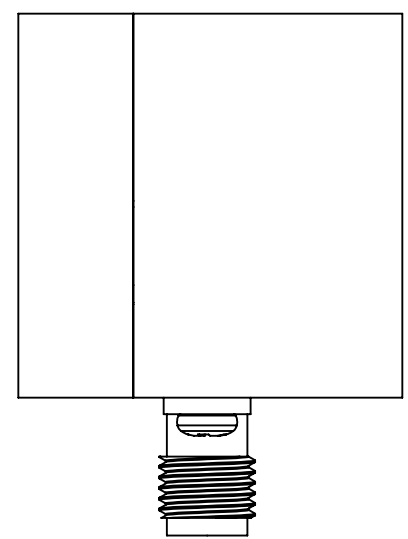
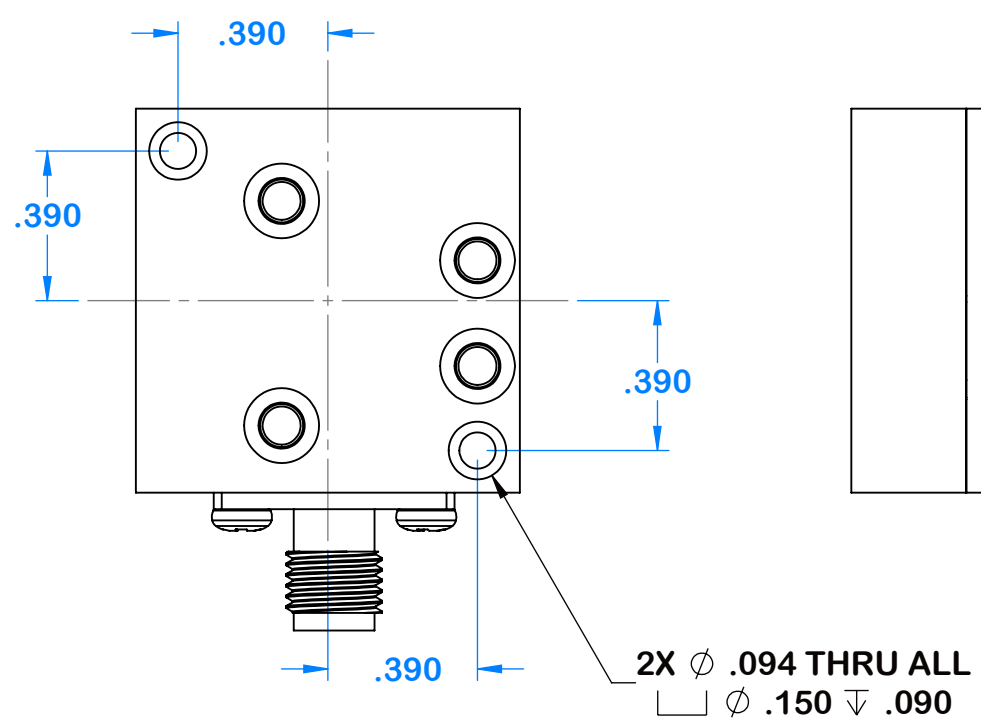
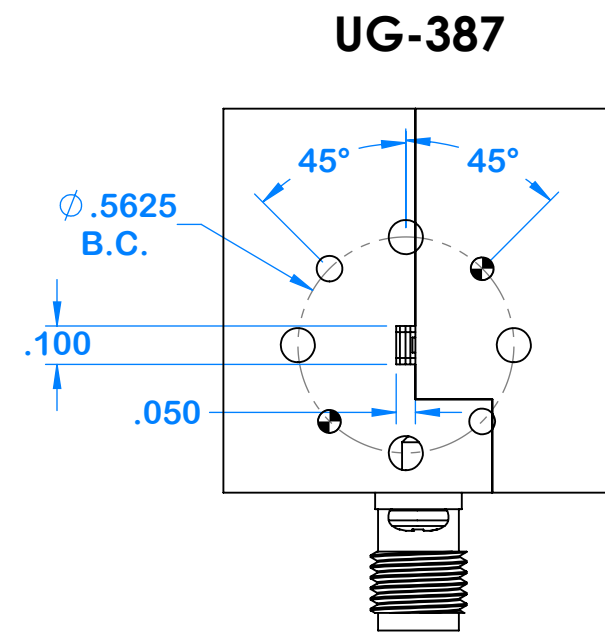
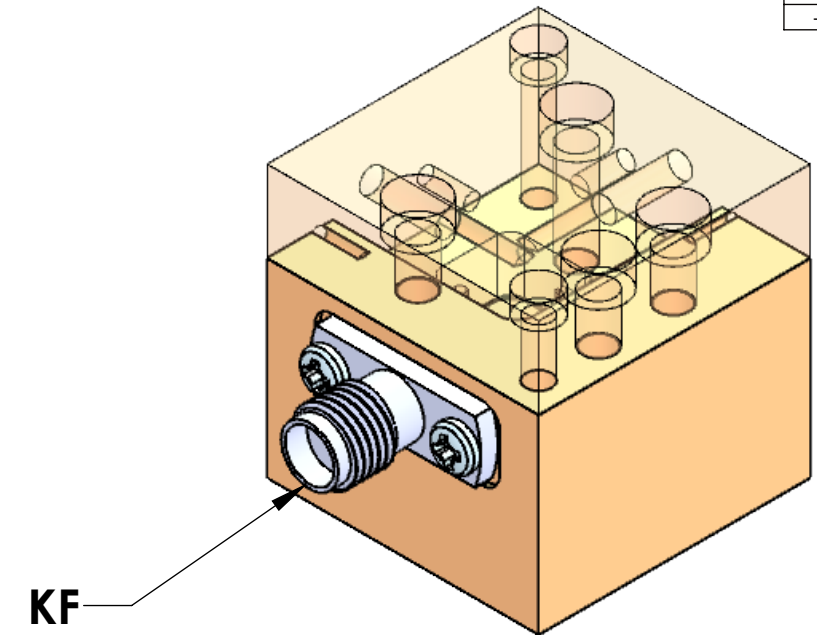
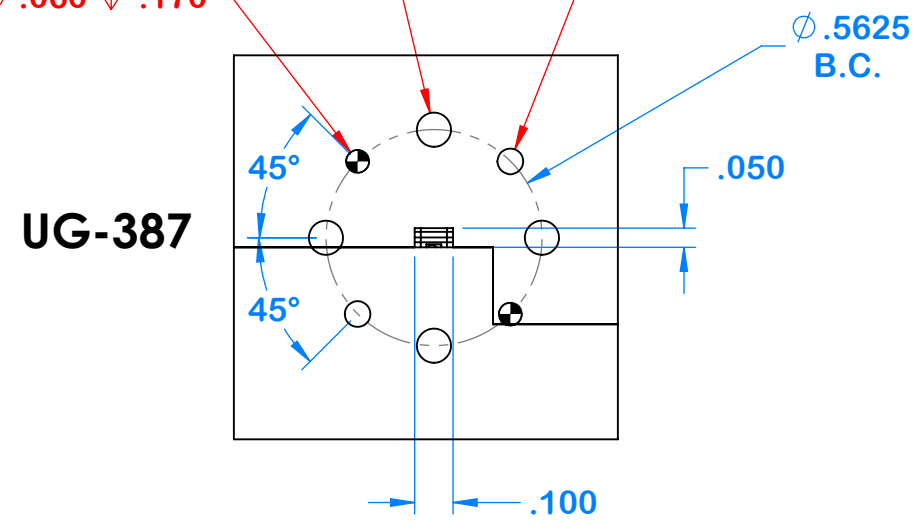


REVISIONS			
REV	DESCRIPTION	DATE	APPROVED
-	-	-	-

4X ϕ .089 ∇ .280
 4-40 UNC ∇ .250
 2X ϕ .060 ∇ .170
 2X ϕ .067 ∇ .170



DECIMALS: XXXX \pm .0005 XXX \pm .005 XX \pm .01	DRAWN CC 11-13-19	NAME DATE	TITLE: Millimeter Wave Products Inc.
ANGLES: \pm .5 DEGRESS	CHECKED MS 11-13-19	ENG LS 11-13-19	SIZE DWG. NO. B 970-980W-387_INLINE_OUTLINE
THIRD ANGLE PROJECTION	MATL: _____	SCALE: 2:1	WEIGHT: _____
			REV . SHEET 1 OF 1