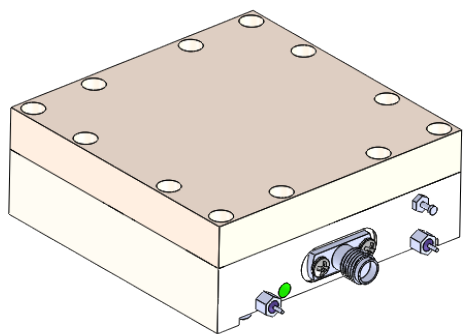
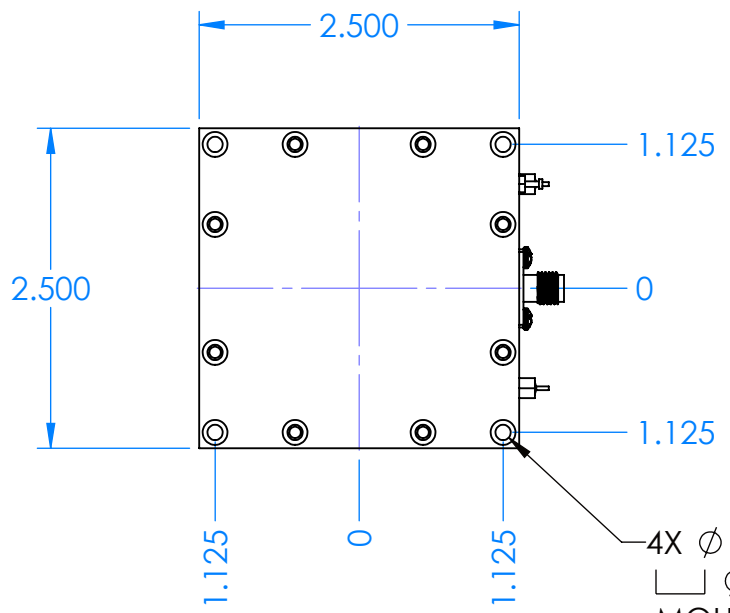
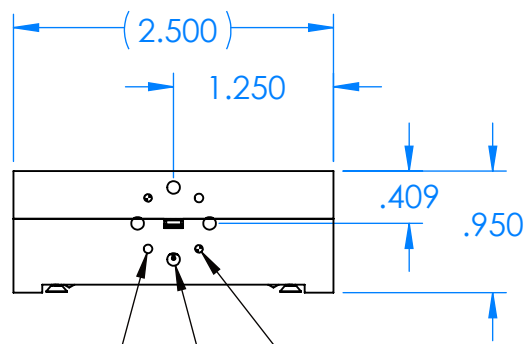


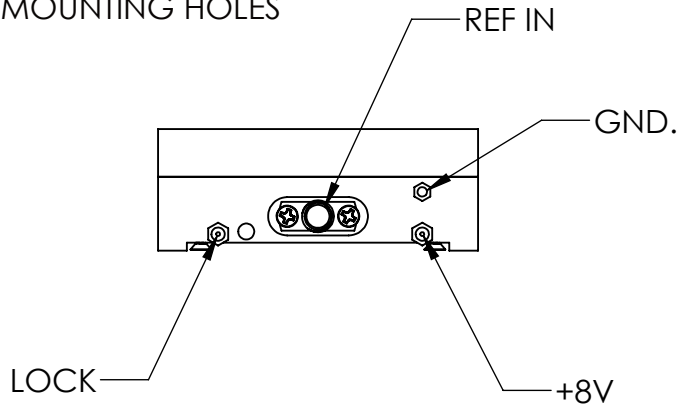
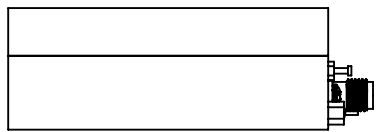
REVISIONS			
REV	DESCRIPTION	DATE	APPROVED
-	-	-	-



4X ϕ .120 THRU ALL
 \square ϕ .195 ∇ .114
 MOUNTING HOLES



2X ϕ .067 ∇ .180
 2X ϕ .060 ∇ .180
 4X ϕ .099 ∇ .290
 4-40 UNC ∇ .270



**THE INTERFACE CAN BE ANY
 WAVEGUIDE PORT DEPENDING
 ON THE FREQUENCY**

DECIMALS: XXXX \pm .0005 XXX \pm .005 XX \pm .01	ANGLES: \pm .5 DEGRESS	THIRD ANGLE PROJECTION	<table border="1"> <tr> <td>NAME</td> <td>DATE</td> </tr> <tr> <td>DRAWN JV</td> <td>6-11-19</td> </tr> <tr> <td>CHECKED MS</td> <td>6-11-19</td> </tr> <tr> <td>ENG LS</td> <td>6-11-19</td> </tr> </table>	NAME	DATE	DRAWN JV	6-11-19	CHECKED MS	6-11-19	ENG LS	6-11-19	TITLE: Millimeter Wave Products Inc.	SIZE DWG. NO. A	REV -
NAME	DATE													
DRAWN JV	6-11-19													
CHECKED MS	6-11-19													
ENG LS	6-11-19													
MATERIAL: 6061 T6 ALUMINUM			957_HOUSING_OUTLINE_24726		SHEET 1 OF 1									
SCALE: 1:1.5			WEIGHT:											