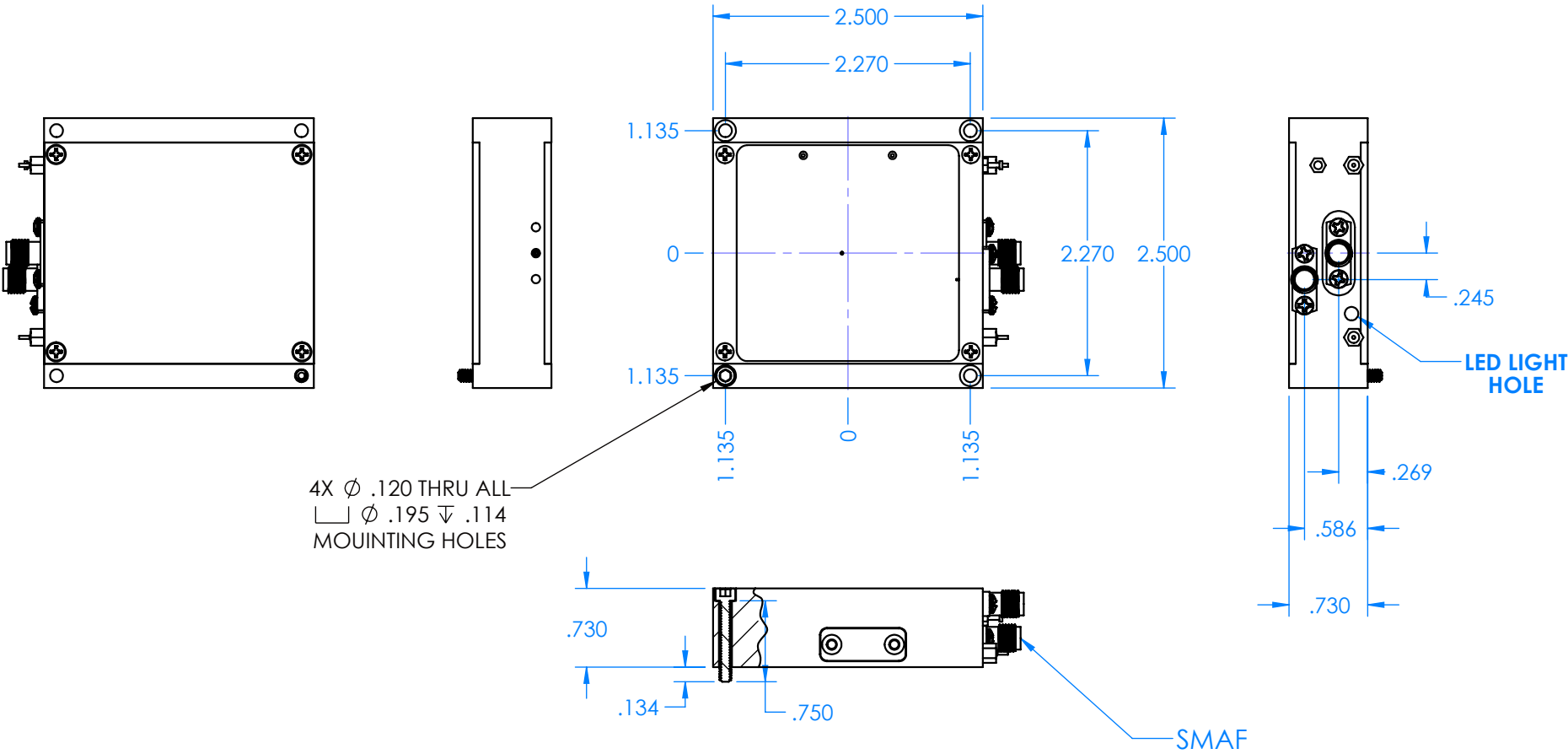
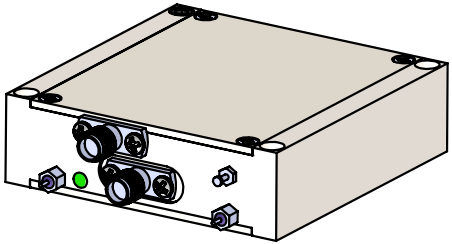


REVISIONS			
REV	DESCRIPTION	DATE	APPROVED
-	-	-	-



DECIMALS: XXXX \pm .0005 XXX \pm .005 XX \pm .01 ANGLES: \pm .5 DEGREE	DRAWN	JV	8-6-19	TITLE: Mi-Wave Millimeter Products Inc.	SIZE DWG. NO.	REV
	CHECKED	MS	8-6-19			
THIRD ANGLE PROJECTION	ENG	LS	8-6-19	A	957-COAX_PLO-OUTLINE_24697	-
	MATL: 6061 T6 ALUMINUM		SCALE: 2:3			