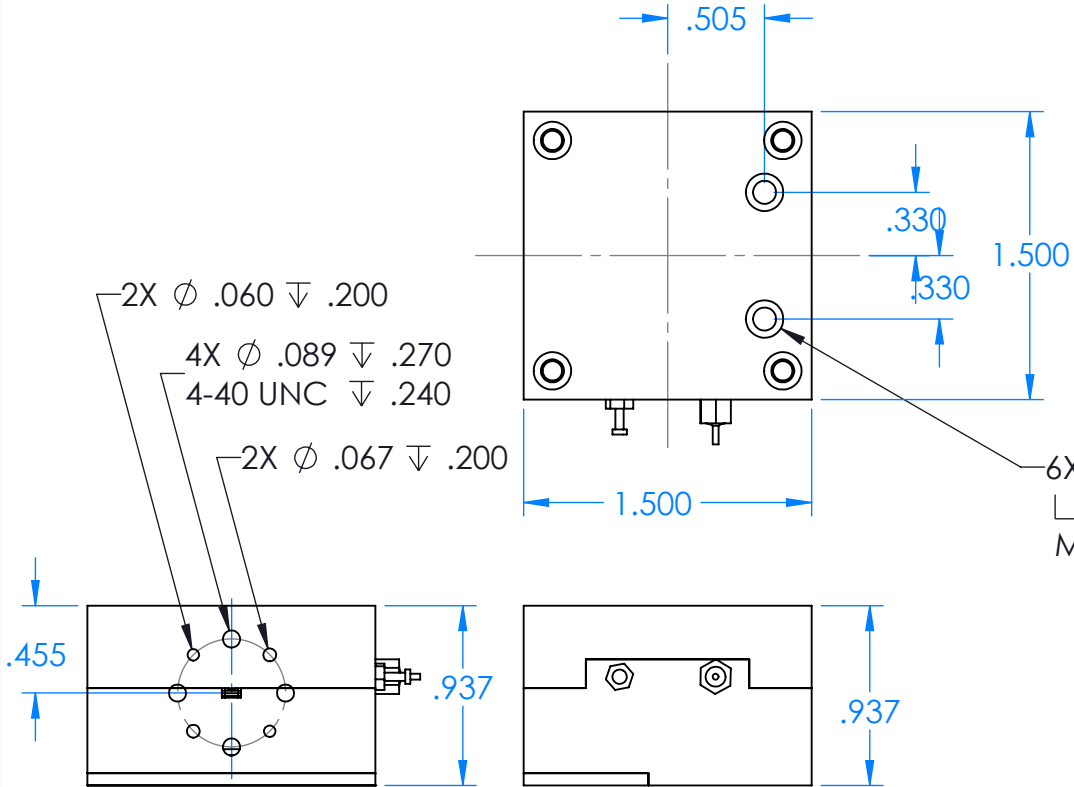
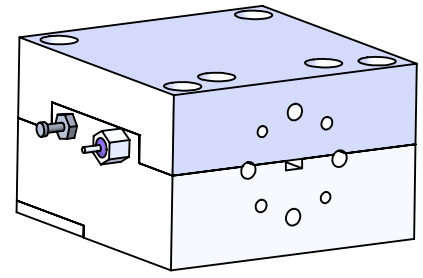


REVISIONS			
REV	DESCRIPTION	DATE	APPROVED
--	--	--	--

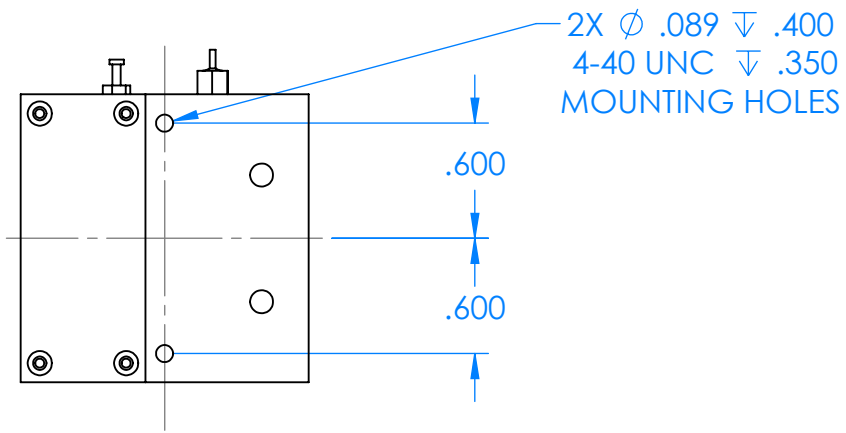


6X ϕ .120 THRU ALL
 \square ϕ .195 ∇ .114
 MOUNTING HOLES



UG-387

UG-387



**ALL DIMENSIONS ARE
 REFERENCE ONLY**

DECIMALS: XXXX \pm .0005 XXX \pm .005 XX \pm .01 ANGLES: \pm .5 DEGREE	THIRD ANGLE PROJECTION	DRAWN: JV CHECKED: LS ENG: LS	NAME: LS DATE: 3-15-19	TITLE: Millimeter Wave Products Inc.	SIZE: A	DWG. NO.: 955W-387_INLINE_OUTLINE_24620	REV
		MATERIAL: _____		SCALE: 1:1	WEIGHT:	SHEET 1 OF 1	