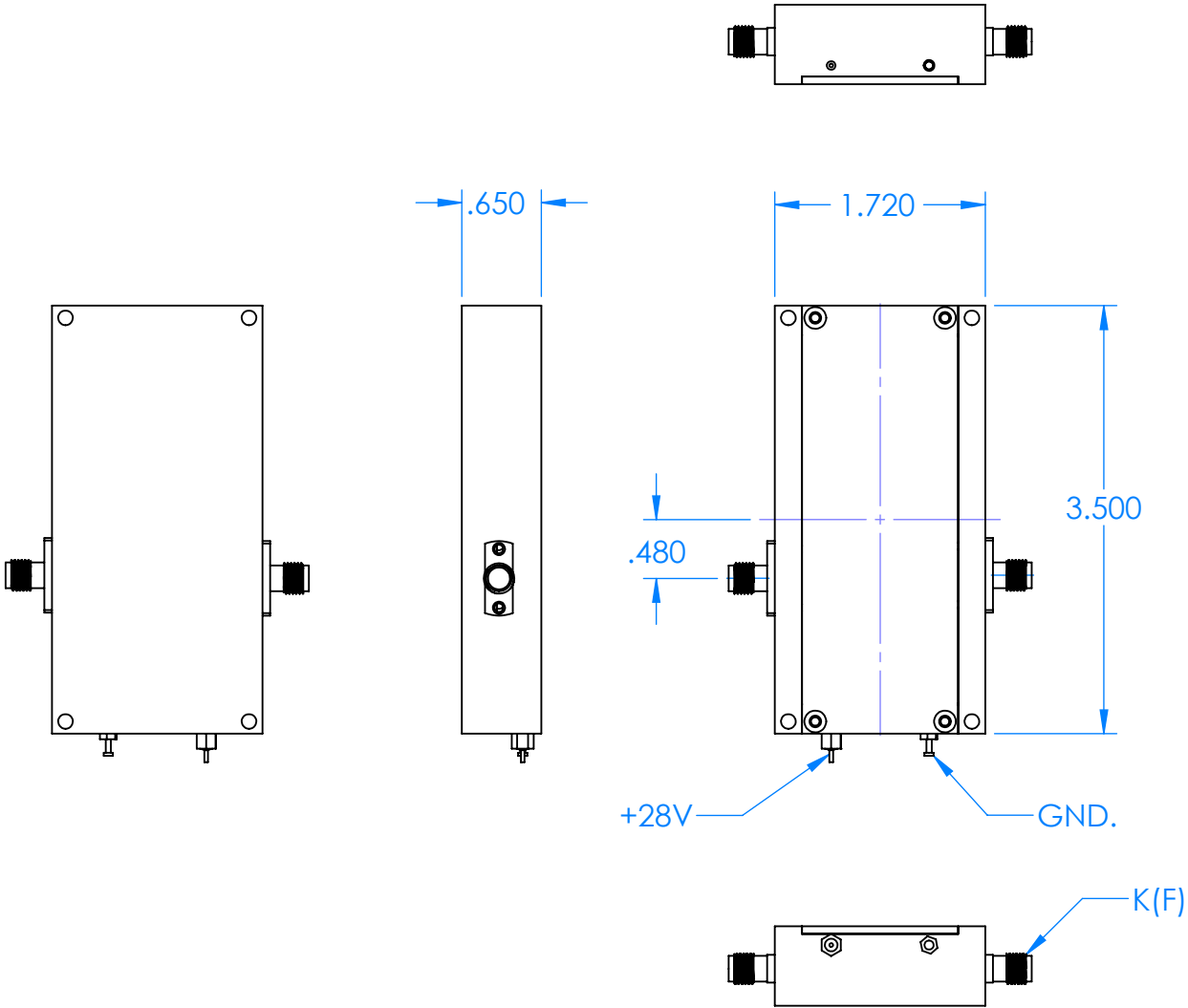
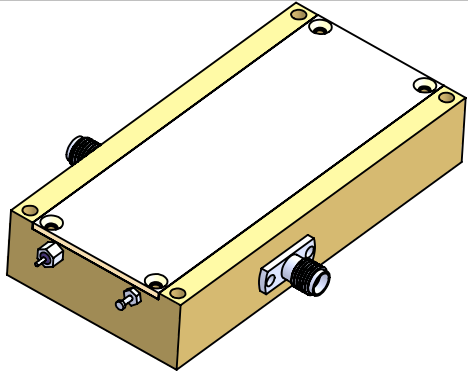


REVISIONS			
REV	DESCRIPTION	DATE	APPROVED
-	-	-	-



**ALL DIMENSIONS  
ARE REFERENCE ONLY**

DECIMALS: XXXX ±.0005 XXX ±.005 XX ±.01	ANGLES: ± .5 DEGREE	THIRD ANGLE PROJECTION	<table border="1"> <tr> <td>NAME</td> <td>DATE</td> </tr> <tr> <td>DRAWN JV</td> <td>6-11-19</td> </tr> <tr> <td>CHECKED MS</td> <td>6-11-19</td> </tr> <tr> <td>ENG LS</td> <td>6-11-19</td> </tr> </table>	NAME	DATE	DRAWN JV	6-11-19	CHECKED MS	6-11-19	ENG LS	6-11-19	TITLE: Millimeter Wave Products Inc. SIZE DWG. NO. <b>A</b> 955_HPA_COAX_ASSEMBLY_24420 SCALE: 1:1.5	MATL: <b>6061 T6 ALUMINUM</b> WEIGHT:	REV - SHEET 1 OF 1
NAME	DATE													
DRAWN JV	6-11-19													
CHECKED MS	6-11-19													
ENG LS	6-11-19													