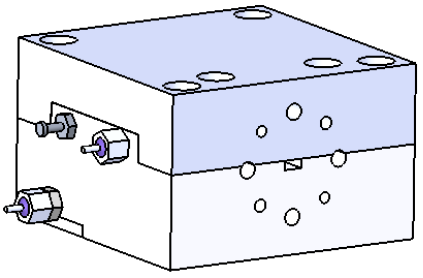
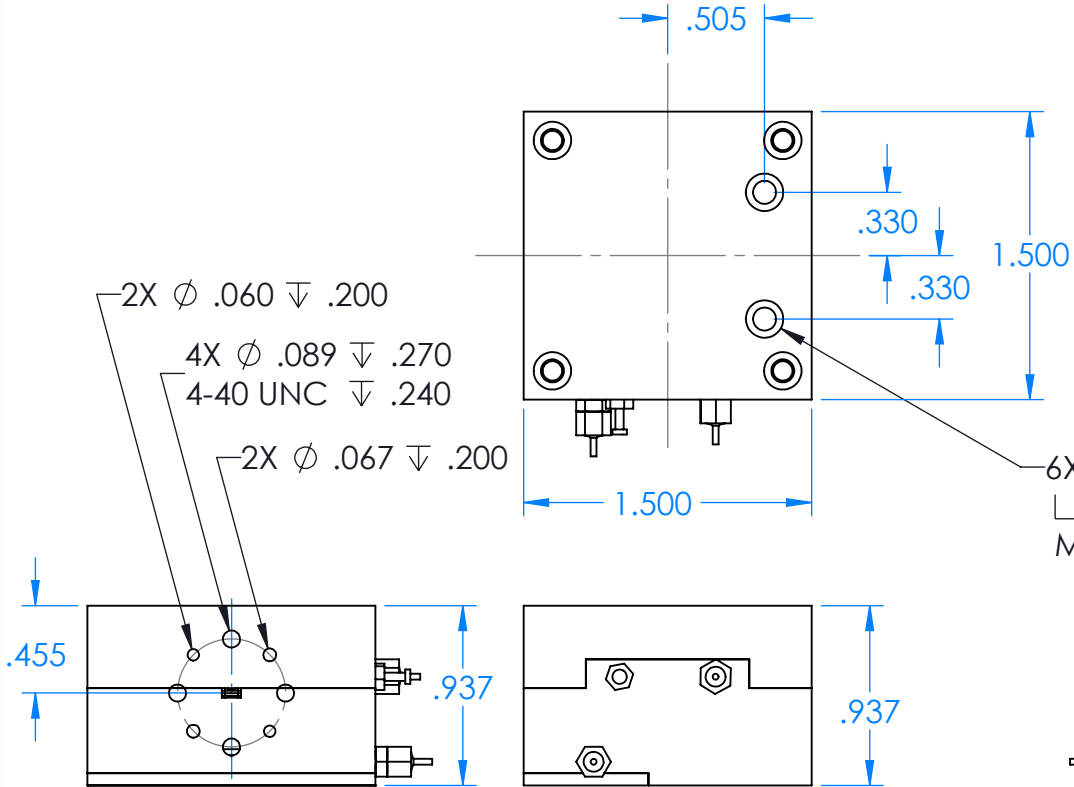
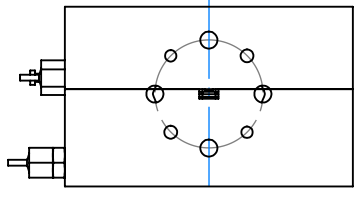


REVISIONS			
REV	DESCRIPTION	DATE	APPROVED
--	--	--	--

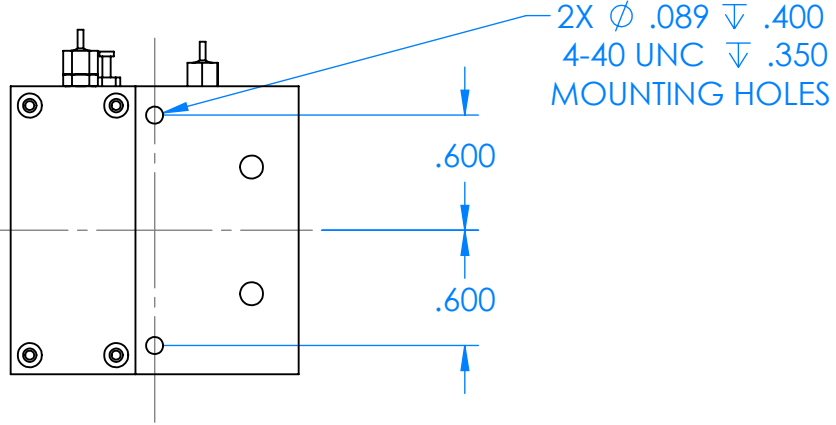


6X ϕ .120 THRU ALL
 \square ϕ .195 \pm .114
 MOUNTING HOLES

UG-387



UG-387



**ALL DIMENSIONS ARE
 REFERENCE ONLY**

DECIMALS: XXXX \pm .0005 XXX \pm .005 XX \pm .01	ANGLES: \pm .5 DEGREE	THIRD ANGLE PROJECTION	NAME	DATE
DRAWN	JV	3-15-19	CHECKED	LS
ENG	LS	3-15-19	MATL:	

TITLE: Millimeter Wave Products Inc.		REV
SIZE	DWG. NO.	
A	955E-387_INLINE_OUTLINE_24776	
SCALE: 1:1	WEIGHT:	SHEET 1 OF 1