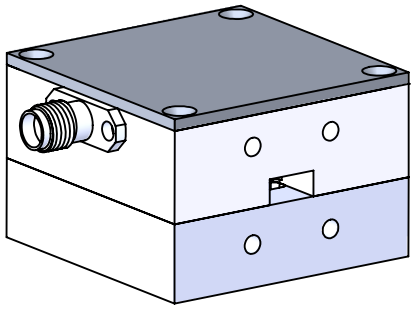
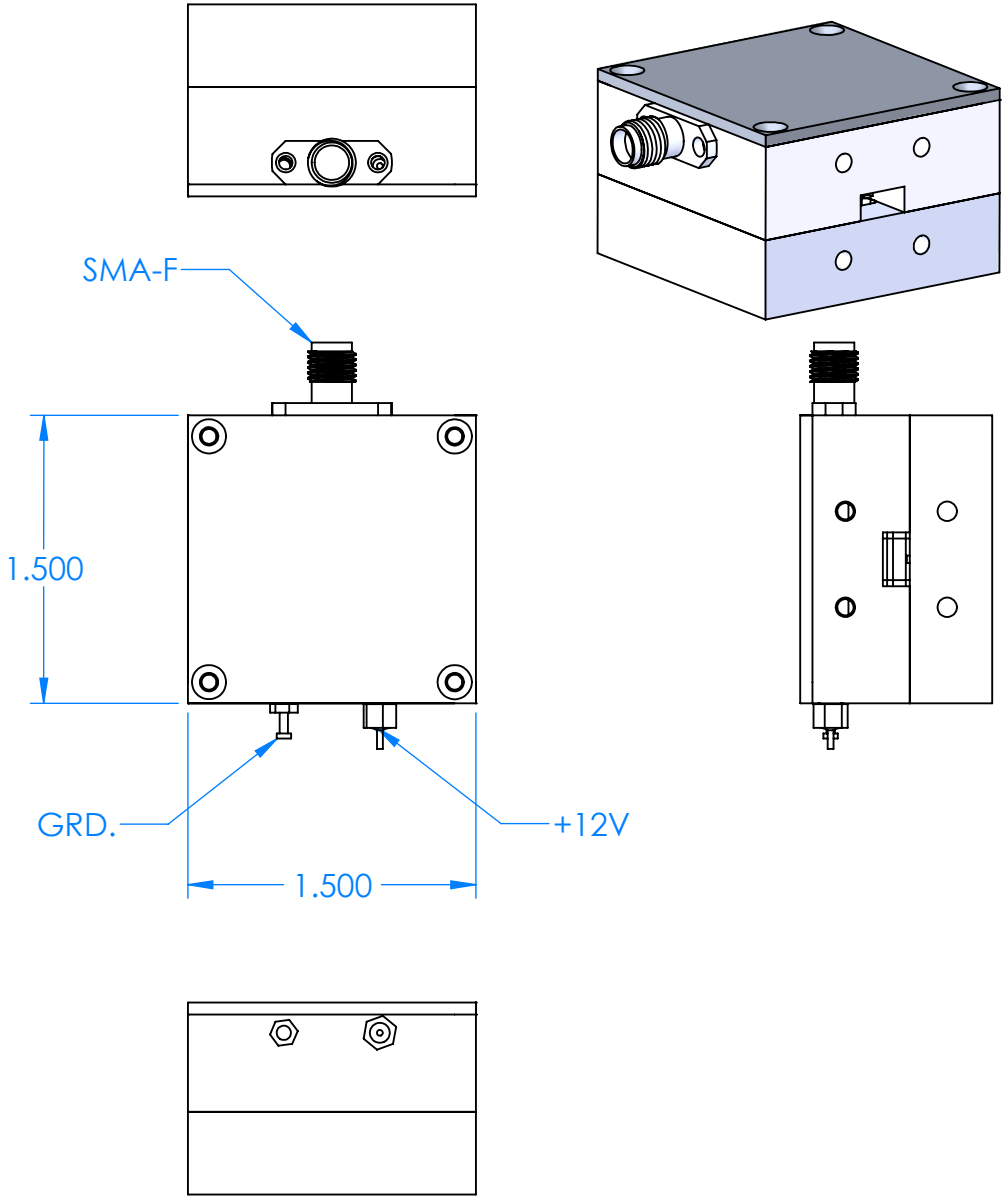
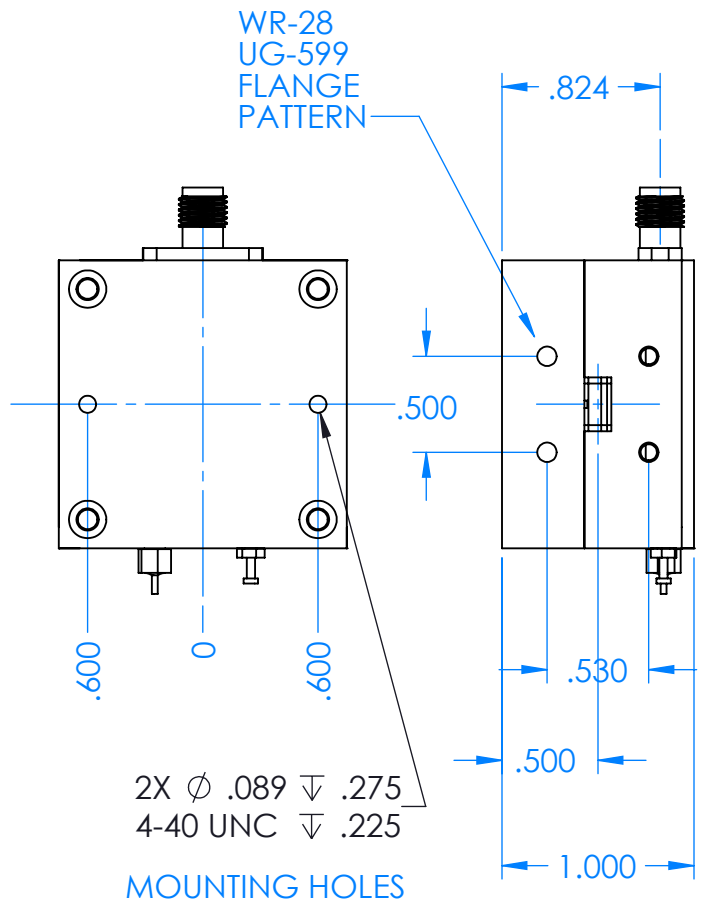


REVISIONS			
REV	DESCRIPTION	DATE	APPROVED
--	--	--	--



DECIMALS: XXXX ±.0005 XXX ±.005 XX ±.01	NAME DRAWN JV	DATE 6-13-17	TITLE: Mi-Wave Millimeter Products Inc.	
ANGLES: ±.5 DEGREE	CHECKED MS	6-13-17	SIZE DWG. NO.	REV
THIRD ANGLE PROJECTION	ENG LS	6-13-17	A 955A-599_INLINE_OUTLINE_23684	
MATL: 6061 T6 ALUMINUM	SCALE: 1:1		WEIGHT:	SHEET 1 OF 1