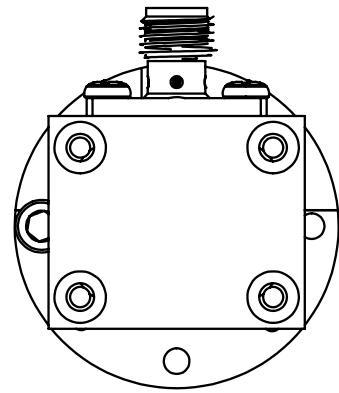
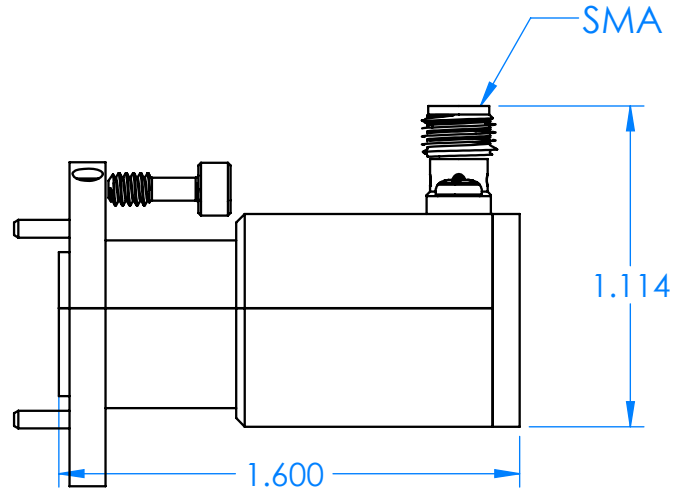
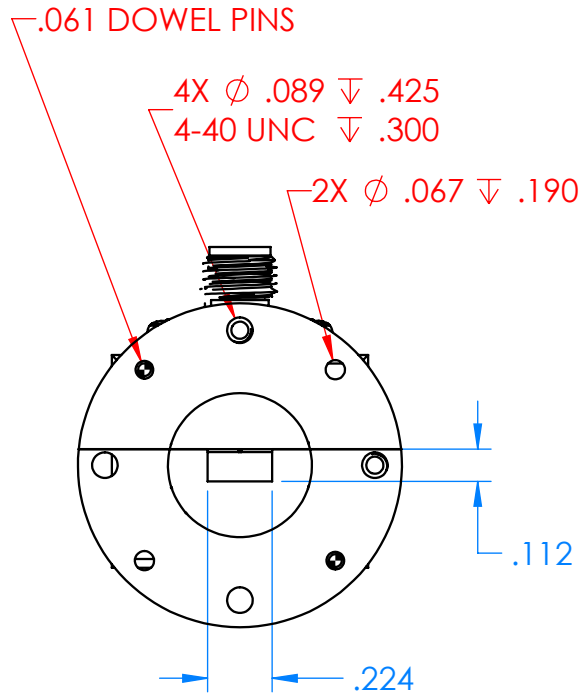
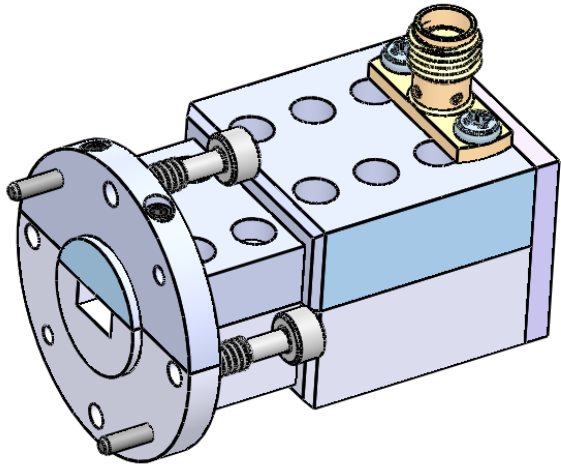
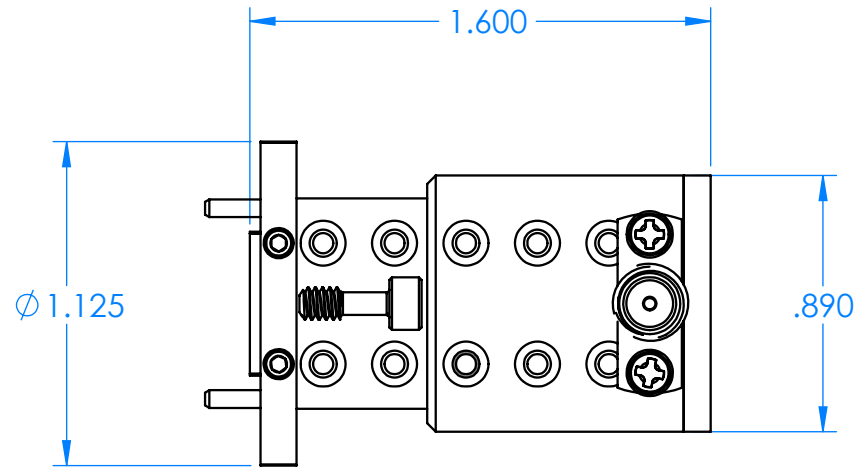


REVISIONS			
REV	DESCRIPTION	DATE	APPROVED
-	-	-	-



UG-383

ALL DIMENSIONS
ARE REFERENCE ONLY

DECIMALS: XXXX $\pm .0005$ XXX $\pm .005$ XX $\pm .01$ ANGLES: $\pm .5$ DEGREE	<table border="1"> <tr> <td>NAME</td> <td>DATE</td> </tr> <tr> <td>DRAWN JV</td> <td>1-09-20</td> </tr> <tr> <td>CHECKED MS</td> <td>1-09-20</td> </tr> <tr> <td>ENG LS</td> <td>1-09-20</td> </tr> </table>	NAME	DATE	DRAWN JV	1-09-20	CHECKED MS	1-09-20	ENG LS	1-09-20	TITLE: Mi-Wave Millimeter Products Inc.	REV -
NAME	DATE										
DRAWN JV	1-09-20										
CHECKED MS	1-09-20										
ENG LS	1-09-20										
THIRD ANGLE PROJECTION	MATL: 1/2 HARD BRASS	SIZE DWG. NO. A 950B-383_SMA_OUTLINE_25071	SCALE: 3:2								
		WEIGHT:	SHEET 1 OF 1								