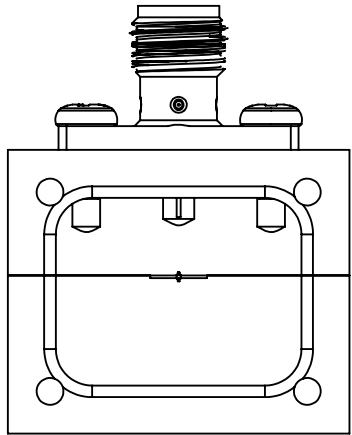
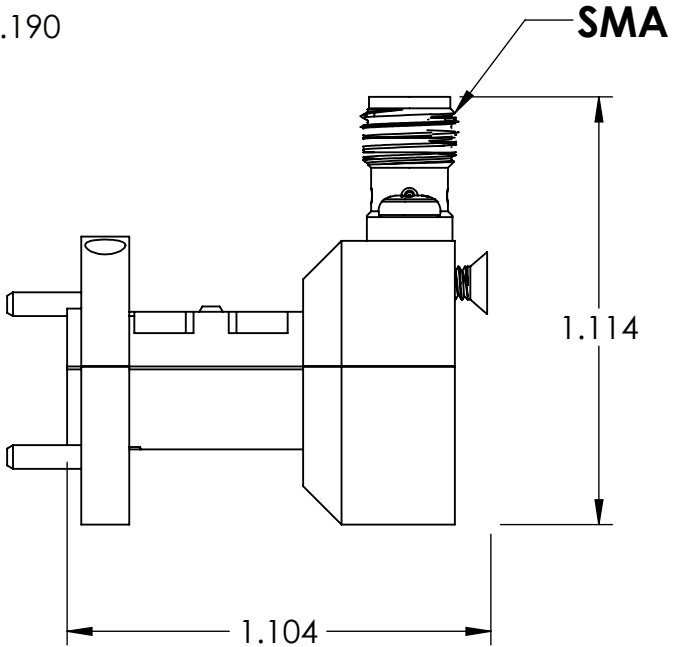
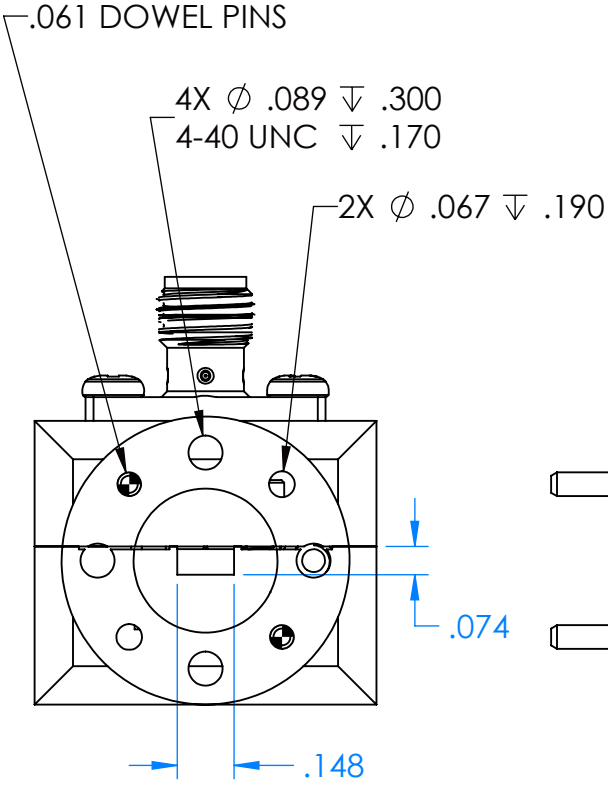
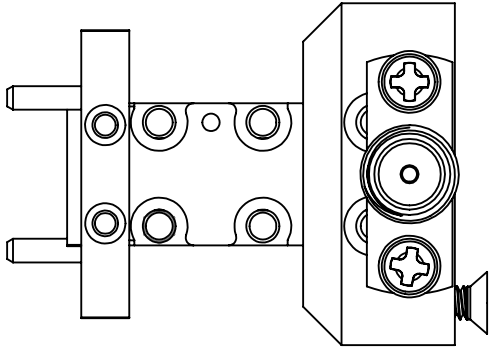
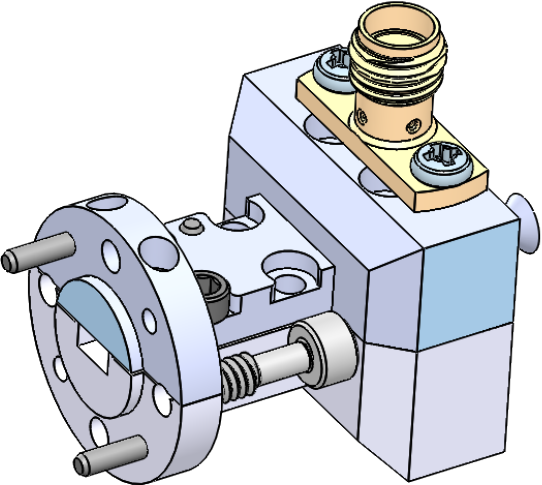


| REVISIONS | | | |
|-----------|-------------|------|----------|
| REV | DESCRIPTION | DATE | APPROVED |
| - | - | - | - |



UG-385

ALL DIMENSIONS ARE REFERENCE ONLY

| | | |
|--|---------|-----------------------|
| DECIMALS: XXXX \pm .0005 XXX \pm .005 XX \pm .01 | NAME | DATE |
| ANGLES: \pm .5 DEGRESS | DRAWN | JV 8-14-19 |
| THIRD ANGLE PROJECTION | CHECKED | MS 8-14-19 |
| | ENG | LS 8-14-19 |
| | MATL: | 1/2 HARD BRASS |

| | | |
|--|----------|--------------|
| TITLE: Mi-Wave Millimeter Products Inc. | | REV |
| SIZE DWG. NO. | A | - |
| 920V-385_SMA_OUTLINE_25480 | | SHEET 1 OF 1 |
| SCALE: 2:1 | WEIGHT: | |