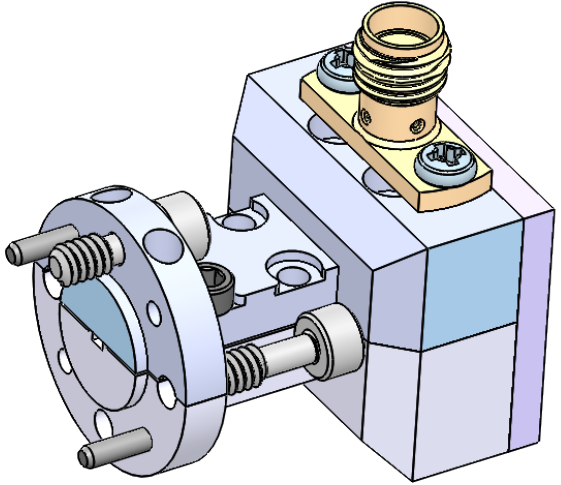
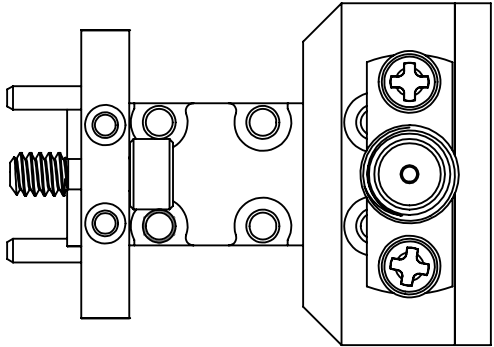
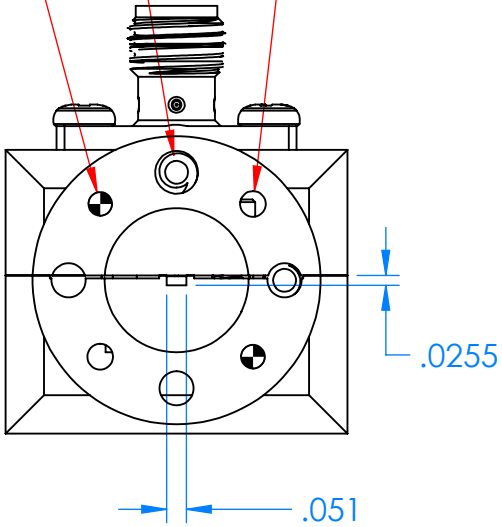


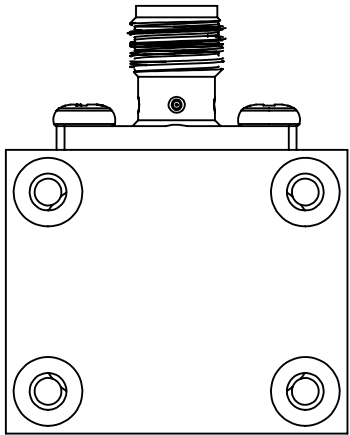
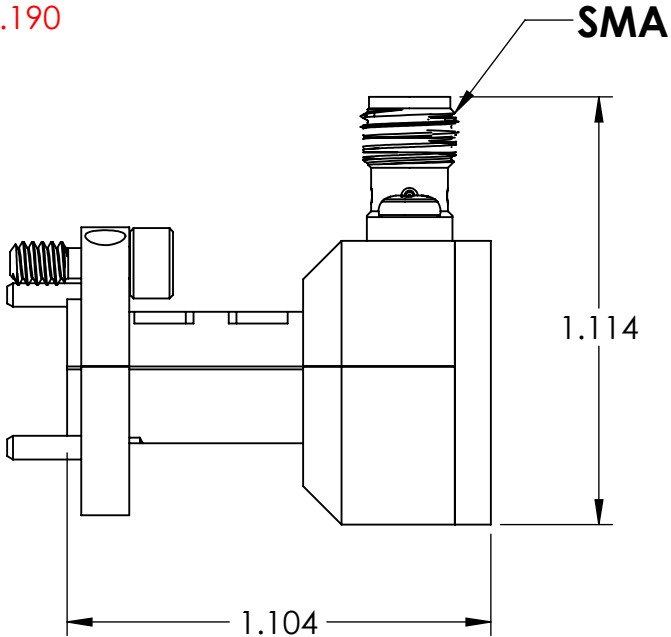
REVISIONS			
REV	DESCRIPTION	DATE	APPROVED
-	-	-	-



.061 DOWEL PINS
 4X ϕ .089 ∇ .300
 4-40 UNC ∇ .170
 2X ϕ .067 ∇ .190



UG-385



**ALL DIMENSIONS
 ARE REFERENCE ONLY**

DECIMALS: XXXX \pm .0005 XXX \pm .005 XX \pm .01	NAME	DATE	TITLE: Mi-Wave Millimeter Products Inc.	
ANGLES: \pm .5 DEGREE	DRAWN	JV		01-21-20
THIRD ANGLE PROJECTION	CHECKED	MS		01-21-20
	ENG	LS		01-21-20
	MATL:	1/2 HARD BRASS		

SIZE	DWG. NO.	REV
A	920G-387_SMA_OUTLINE_25483	-
SCALE: 2:1	WEIGHT:	SHEET 1 OF 1