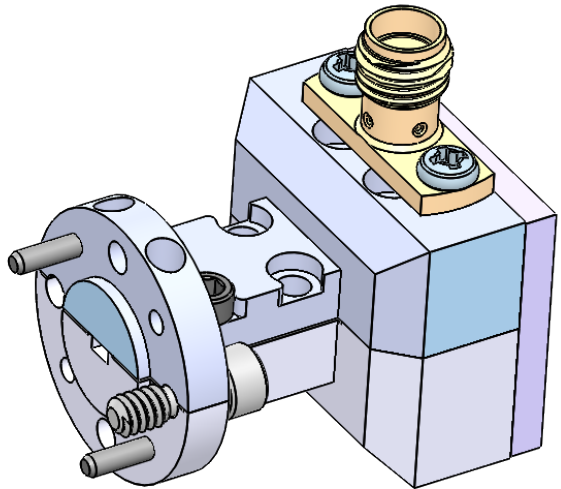
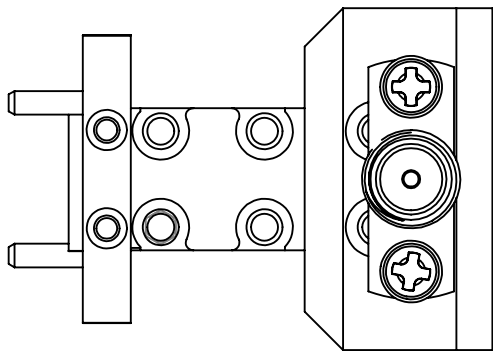
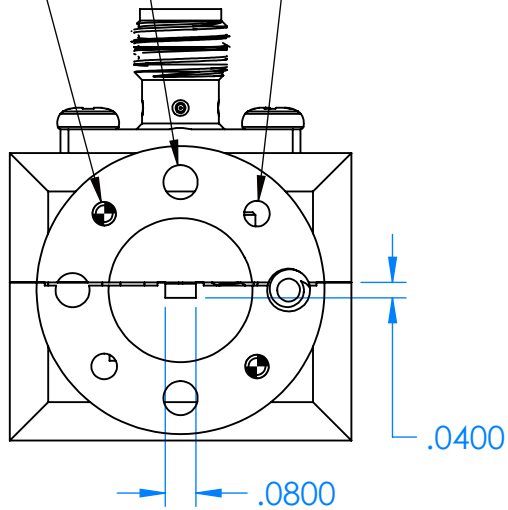


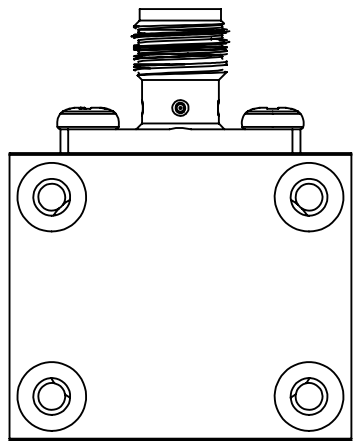
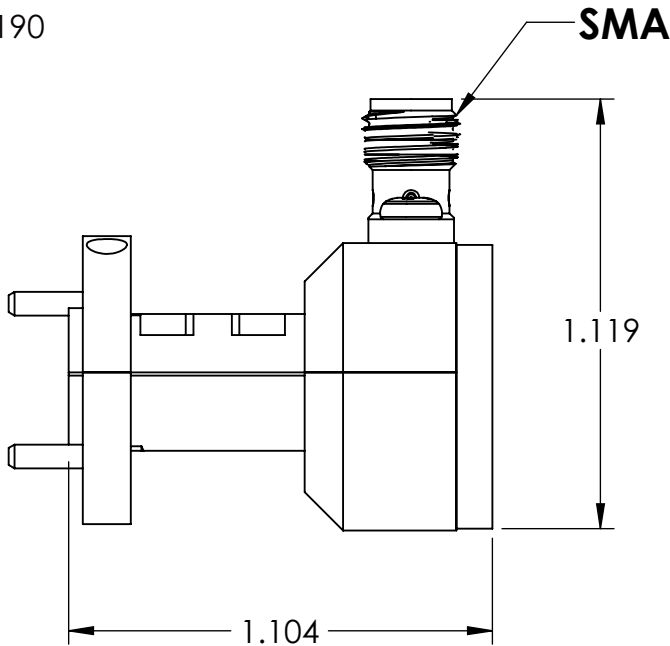
REVISIONS			
REV	DESCRIPTION	DATE	APPROVED
-	-	-	-



.061 DOWEL PINS
 4X ϕ .089 ∇ .300
 4-40 UNC ∇ .170
 2X ϕ .067 ∇ .190



UG-387



**ALL DIMENSIONS
 ARE REFERENCE ONLY**

DECIMALS: XXXX \pm .0005 XXX \pm .005 XX \pm .01	NAME	DATE	TITLE:
ANGLES: \pm .5 DEGREE	DRAWN	CC	5-5-2020
THIRD ANGLE PROJECTION	CHECKED	MS	5-5-2020
	ENG	LS	5-5-2020
	MATL:	1/2 HARD BRASS	

Mi-Wave Millimeter Products Inc.		REV
SIZE	DWG. NO.	-
A	920F-387_SMA_OUTLINE_25482	
SCALE: 2:1	WEIGHT:	SHEET 1 OF 1