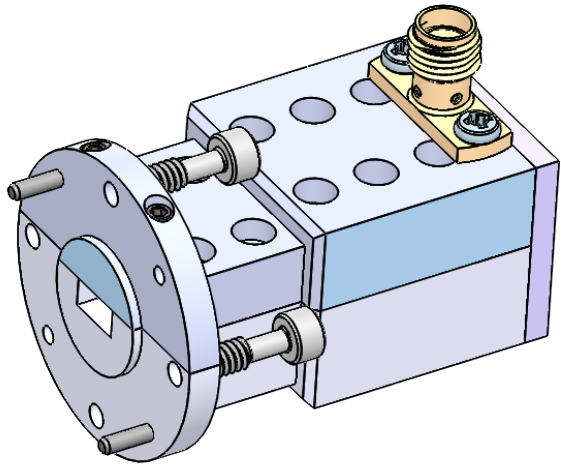
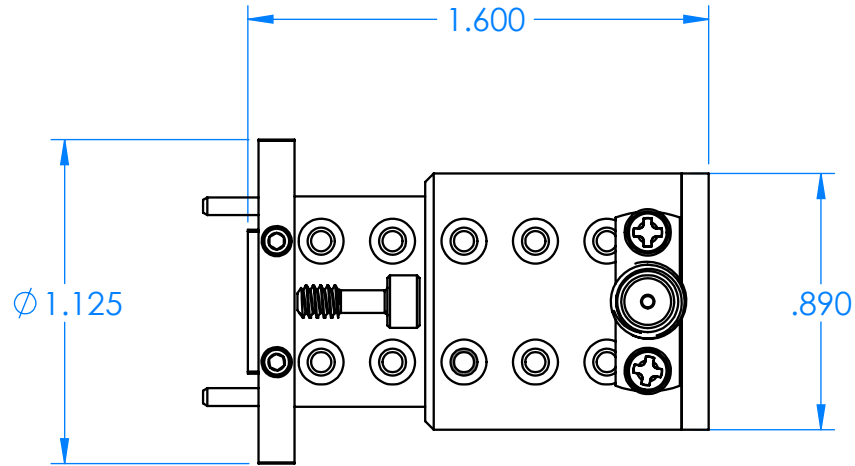


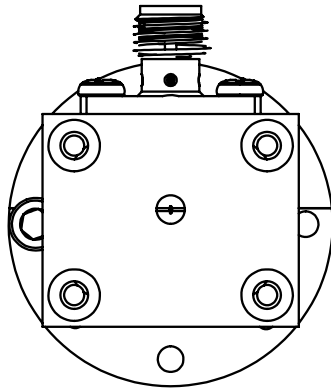
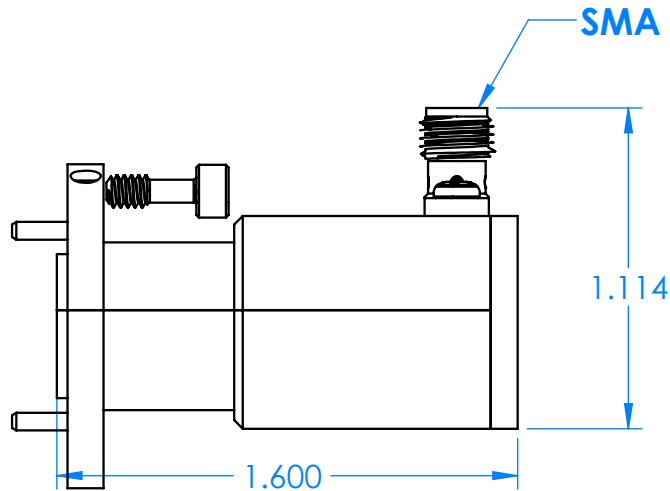
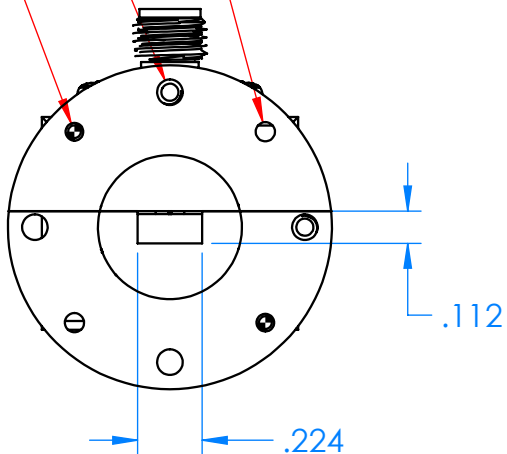
REVISIONS			
REV	DESCRIPTION	DATE	APPROVED
-	-	-	-



.061 DOWEL PINS

4X $\phi .089 \nabla .425$
4-40 UNC $\nabla .300$

2X $\phi .067 \nabla .190$



UG-383

**ALL DIMENSIONS
ARE REFERENCE ONLY**

DECIMALS: XXXX $\pm .0005$ XXX $\pm .005$ XX $\pm .01$	ANGLES: $\pm .5$ DEGREE	THIRD ANGLE PROJECTION	MATL: 1/2 HARD BRASS	NAME DRAWN JV CHECKED MS ENG LS	DATE 1-09-20 1-09-20 1-09-20
--	-------------------------	------------------------	--------------------------------	--	---------------------------------------

TITLE: Mi-Wave Millimeter Products Inc.	SIZE A	DWG. NO. 920B-383_SMA_OUTLINE_25071	REV -
SCALE: 3:2		WEIGHT:	SHEET 1 OF 1