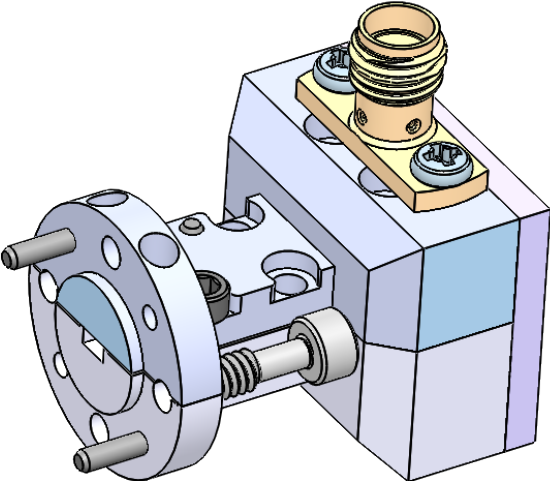
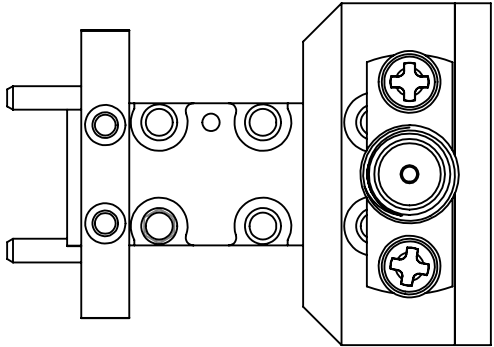
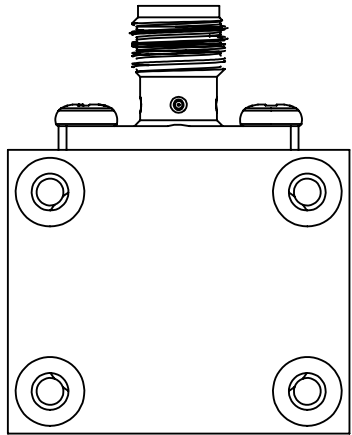
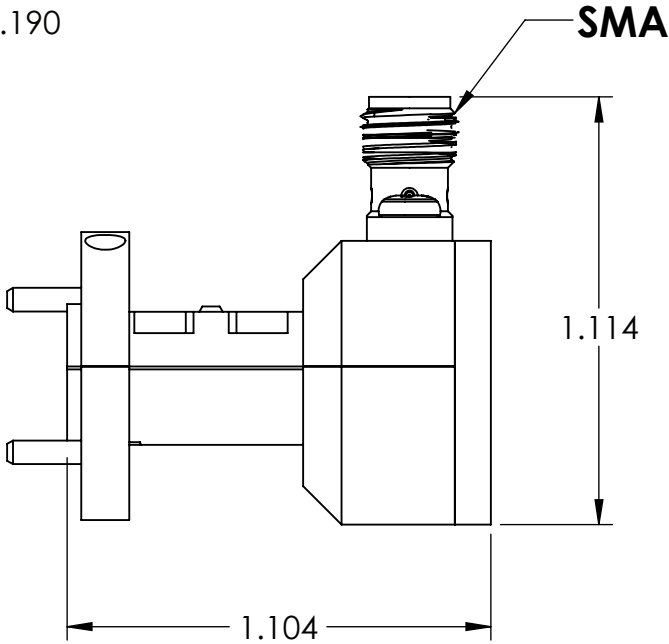
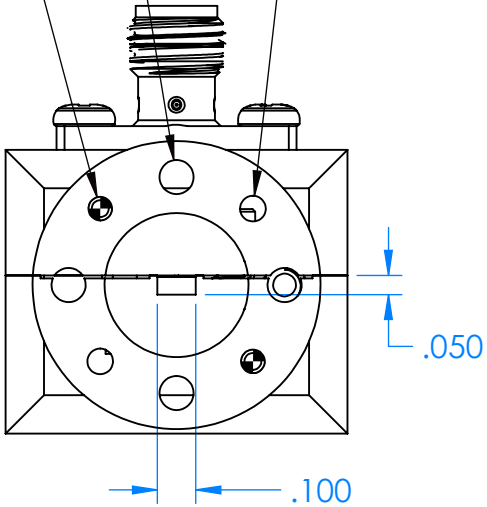


REVISIONS			
REV	DESCRIPTION	DATE	APPROVED
-	-	-	-



.061 DOWEL PINS  
 4X  $\phi$  .089  $\nabla$  .300  
 4-40 UNC  $\nabla$  .170  
 2X  $\phi$  .067  $\nabla$  .190



**UG-387**

**ALL DIMENSIONS  
 ARE REFERENCE ONLY**

DECIMALS: XXXX $\pm$ .0005 XXX $\pm$ .005 XX $\pm$ .01	NAME	DATE
ANGLES: $\pm$ .5 DEGREE	DRAWN	JV 8-14-19
THIRD ANGLE PROJECTION	CHECKED	MS 8-14-19
	ENG	LS 8-14-19
	MATL:	<b>1/2 HARD BRASS</b>

TITLE:	<b>Mi-Wave Millimeter Products Inc.</b>	
SIZE	DWG. NO.	REV
<b>A</b>	<b>920W-387-SMA_OUTLINE_24900</b>	<b>-</b>
SCALE: 2:1	WEIGHT:	SHEET 1 OF 1