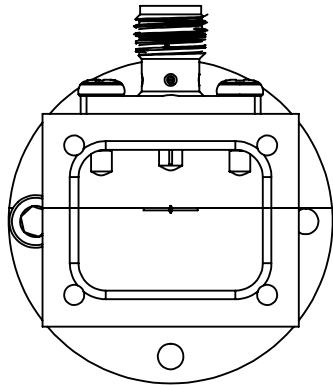
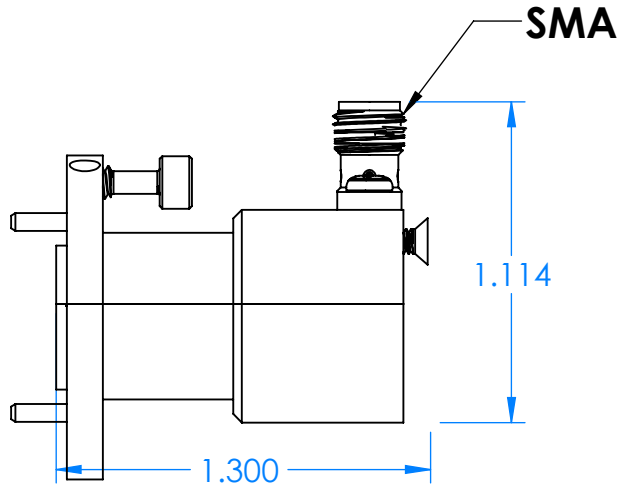
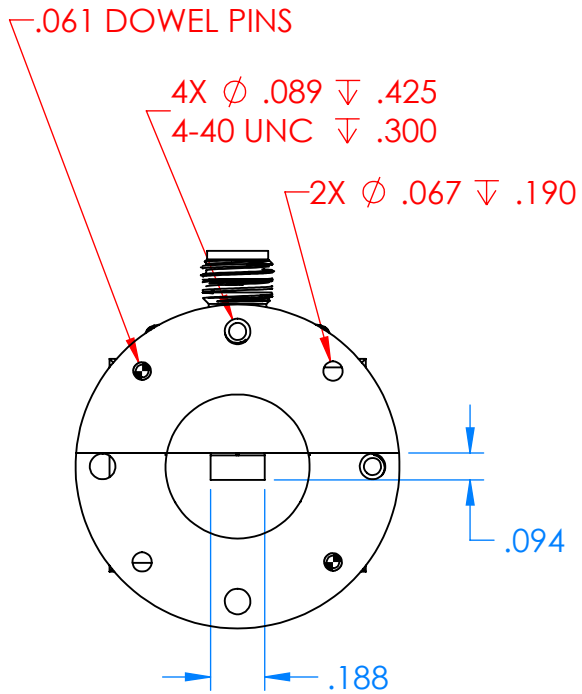
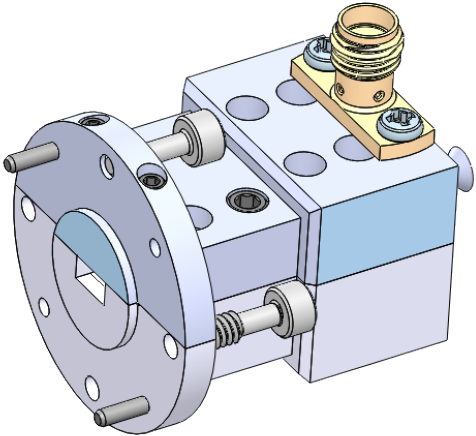
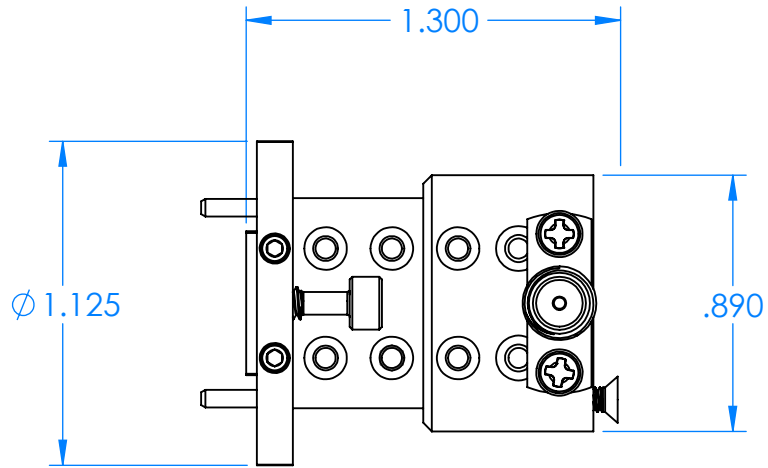


REVISIONS			
REV	DESCRIPTION	DATE	APPROVED
-	-	-	-



UG-383

**ALL DIMENSIONS
ARE REFERENCE ONLY**

DECIMALS: XXXX ±.0005 XXX ±.005 XX ±.01	NAME	DATE
ANGLES: ± .5 DEGREE	DRAWN	JV 1-03-29
THIRD ANGLE PROJECTION	CHECKED	MS 1-03-29
	ENG	LS 1-03-29
	MATL:	1/2 HARD BRASS

TITLE:	Mi-Wave Millimeter Products Inc.	
SIZE	DWG. NO.	REV
A	920U-383_SMA_OUTLINE_25479	-
SCALE: 3:2	WEIGHT:	SHEET 1 OF 1